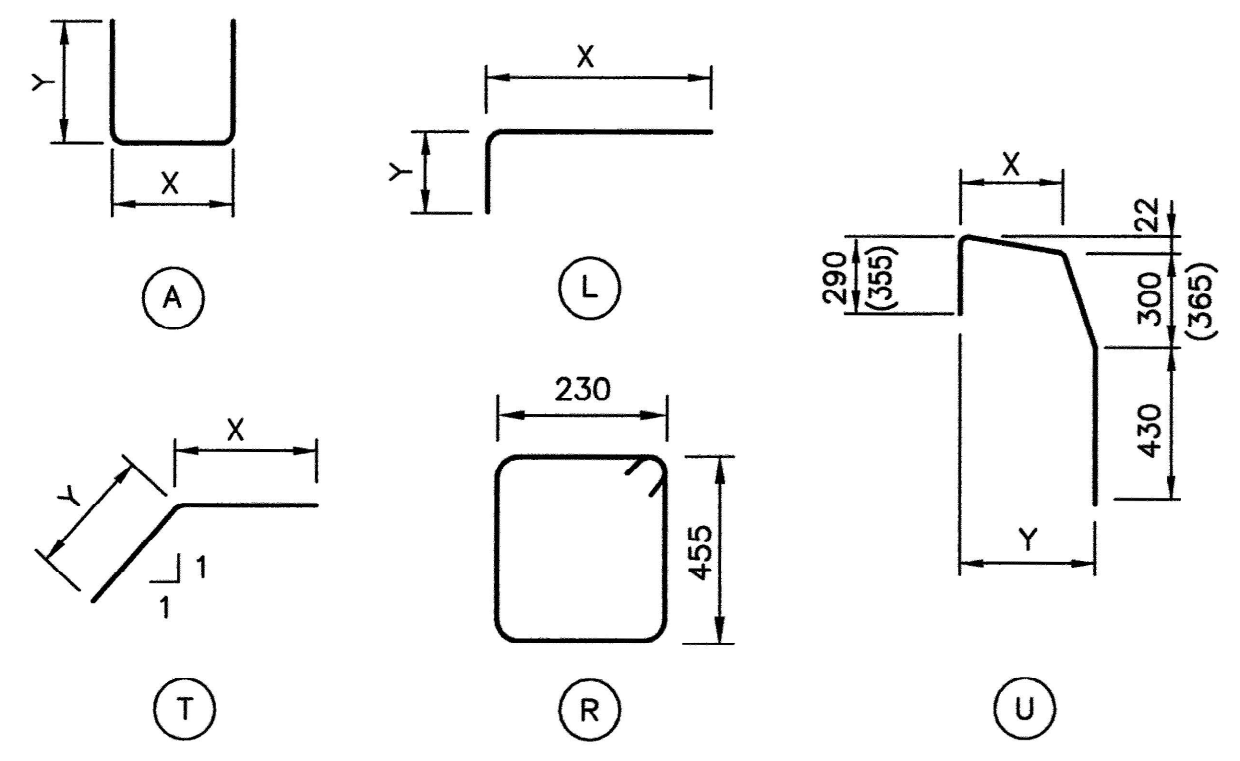


BAR LIST: DIAPHRAGMS					
MARK	SIZE	TYPE	X	Y	LENGTH
D1001	10	A	160	640	1440
D1002C	10	A	160	640	1440
D1004C	10	R			1570
D1501C	15	STR			
D1502C	15	L	500	680	1180
D1503C	15	T	500	500	1000
D1504C	15	U	410	442 (450)	1430 (1560)
D2503	25	STR			

-SUFFIX LETTER " C " ON BAR MARK DENOTES EPOXY COATED BARS.
 -MIN EPOXY COATED BEND: 10M = 80°
 15M = 120°

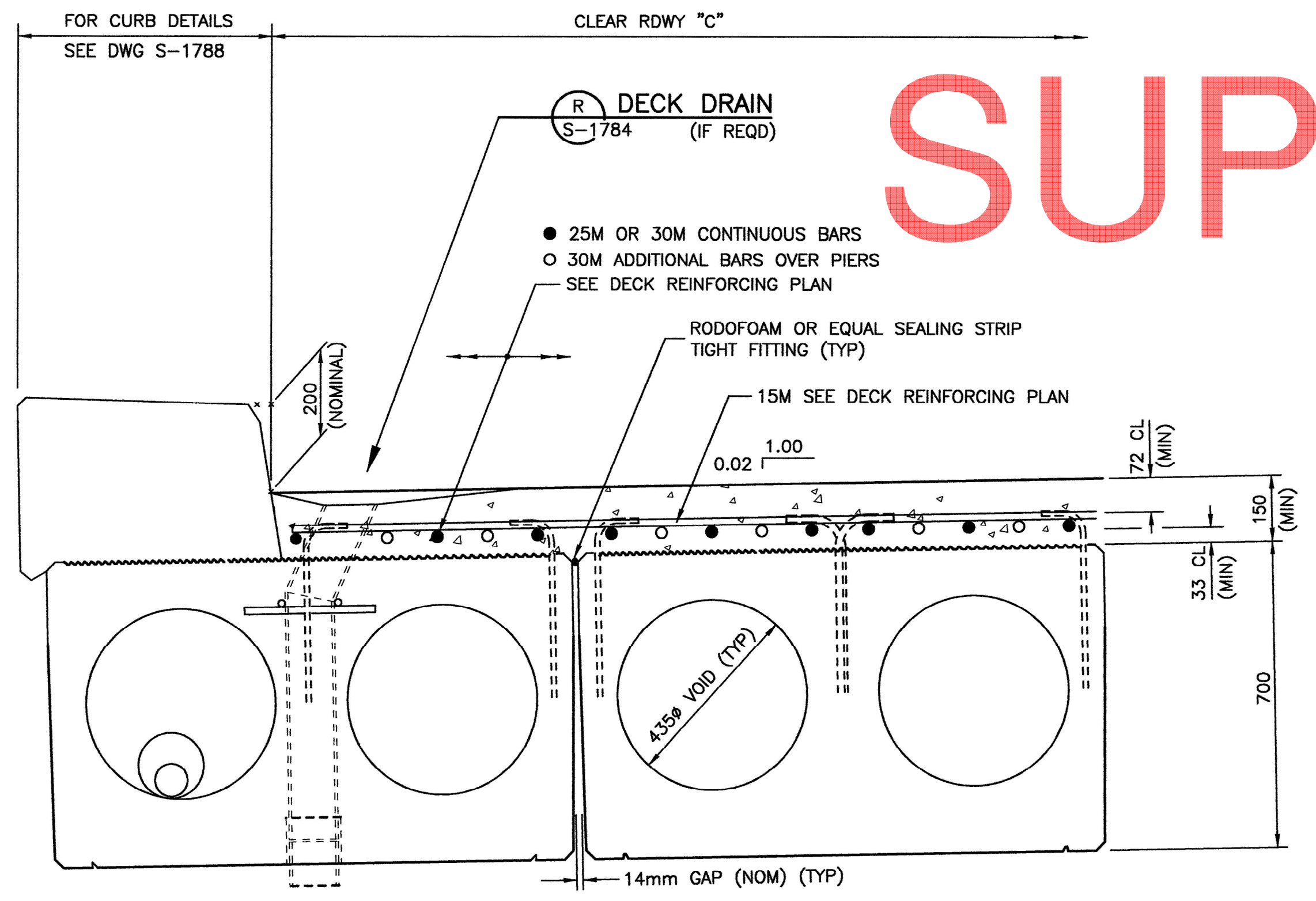
NOTE:
 • FOR DIMENSIONS THAT VARY WITH CURB HEIGHT, DIMENSIONS ARE GIVEN AS:
 XXX FOR 350 CURB
 (XXX) FOR 415 CURB

BAR TYPES
 (ALL BAR DIMENSIONS ARE OUT TO OUT)

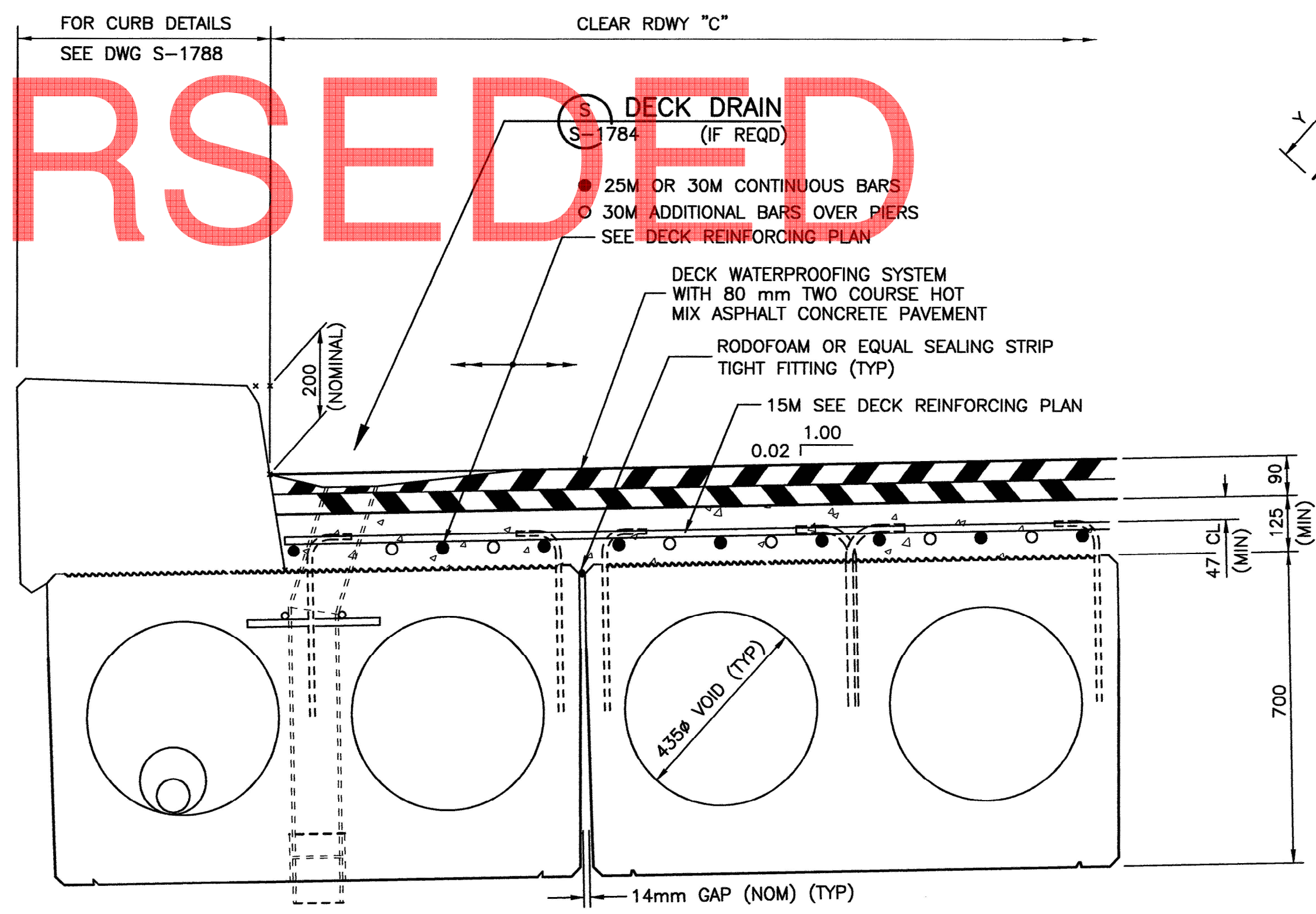


ABUTMENT DIAPHRAGM DETAIL
 1:10

PIER DIAPHRAGM DETAIL
 1:10



A TYPICAL DECK SECTION
 S-1782 (FOR CONCRETE TO GRADE) 1:10



B TYPICAL DECK SECTION
 S-1782 (FOR ACP WEARING SURFACE) 1:10

SUPERSEDED

• FOR GENERAL NOTES SEE DWG S-1782

S-1783-08.RVT.DWG -DRAWN-BY-RWK-

	PERMIT TO PRACTICE ISL Engineering and Land Services Ltd. Signature: P. J. K. FAIRBRIDGE Date: AUG. 15, 2008 PERMIT NUMBER: P 4741 The Association of Professional Engineers, Geologists and Geophysicists of Alberta	DESIGNER 	CHECKER 	RECOMMENDED DIRECTOR BRIDGE ENGINEERING TOM LOO	
		APPROVED EXECUTIVE DIRECTOR TECHNICAL STANDARDS BRANCH ALLAN KWAN DATE: 2008-08-22	STANDARD SLC COMPOSITE BRIDGES SLC700 PRESTRESSED CONCRETE GIRDERS DECK DETAILS - SHEET 1		
		DATE: _____	DATE: _____	DATE: 2008-10-01	DEPARTMENT BAR CODE: _____ DATE: 2008-06-30 SHEET: 2 of 7 DRAWING: S-1783-08