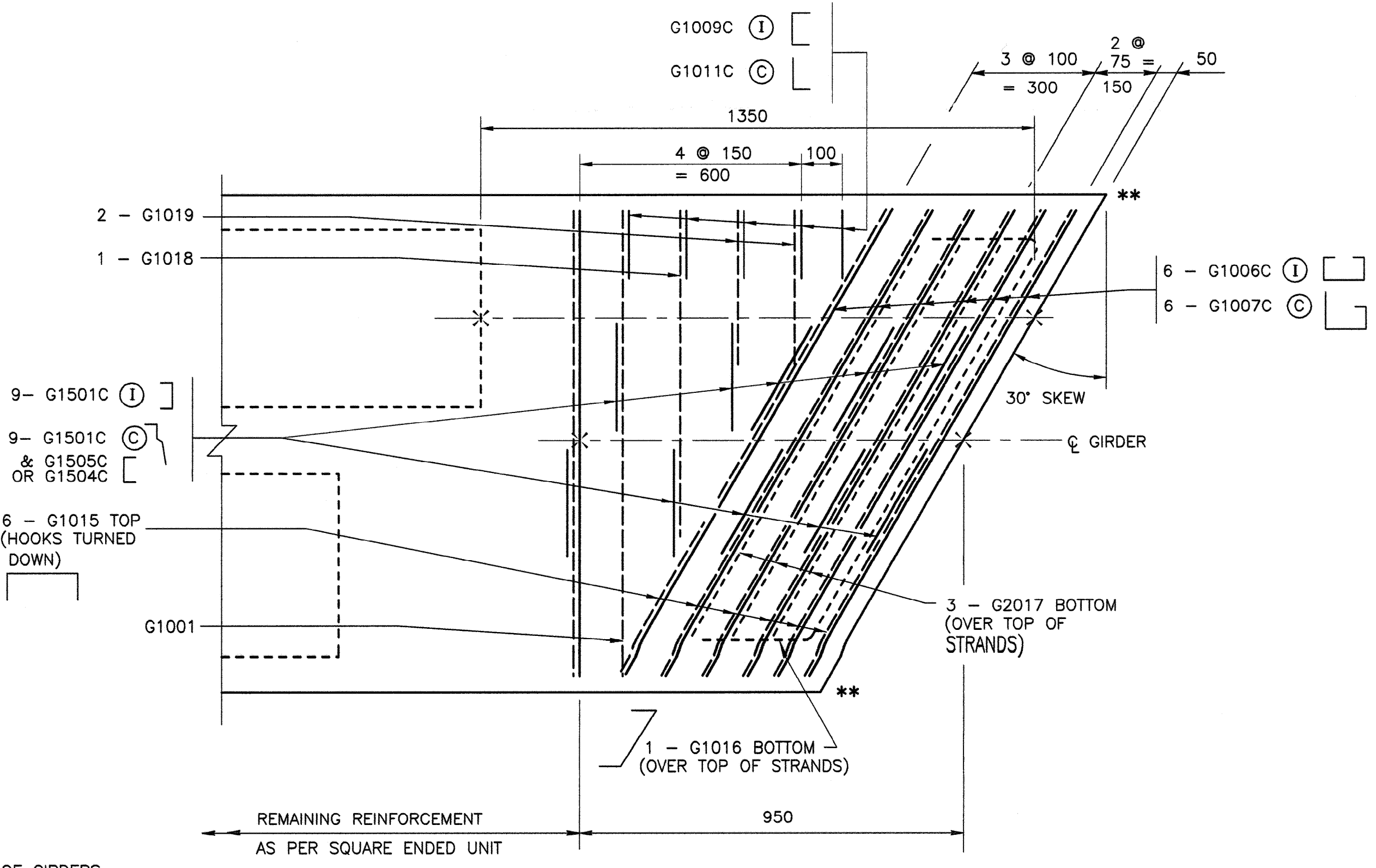


PLAN - 15° SKEW GIRDER END DETAIL

NTS



PLAN - 30° SKEW GIRDER END DETAIL

NTS

- **NOTE**
- BARS G1516 AT ENDS OF GIRDERS NOT SHOWN IN THE INTERESTS OF CLARITY (TYP FOR ALL SKEWS)
 - FOR INTERIOR GIRDERS SEE DWG S-1785
 - FOR CURB GIRDERS SEE DWG S-1786

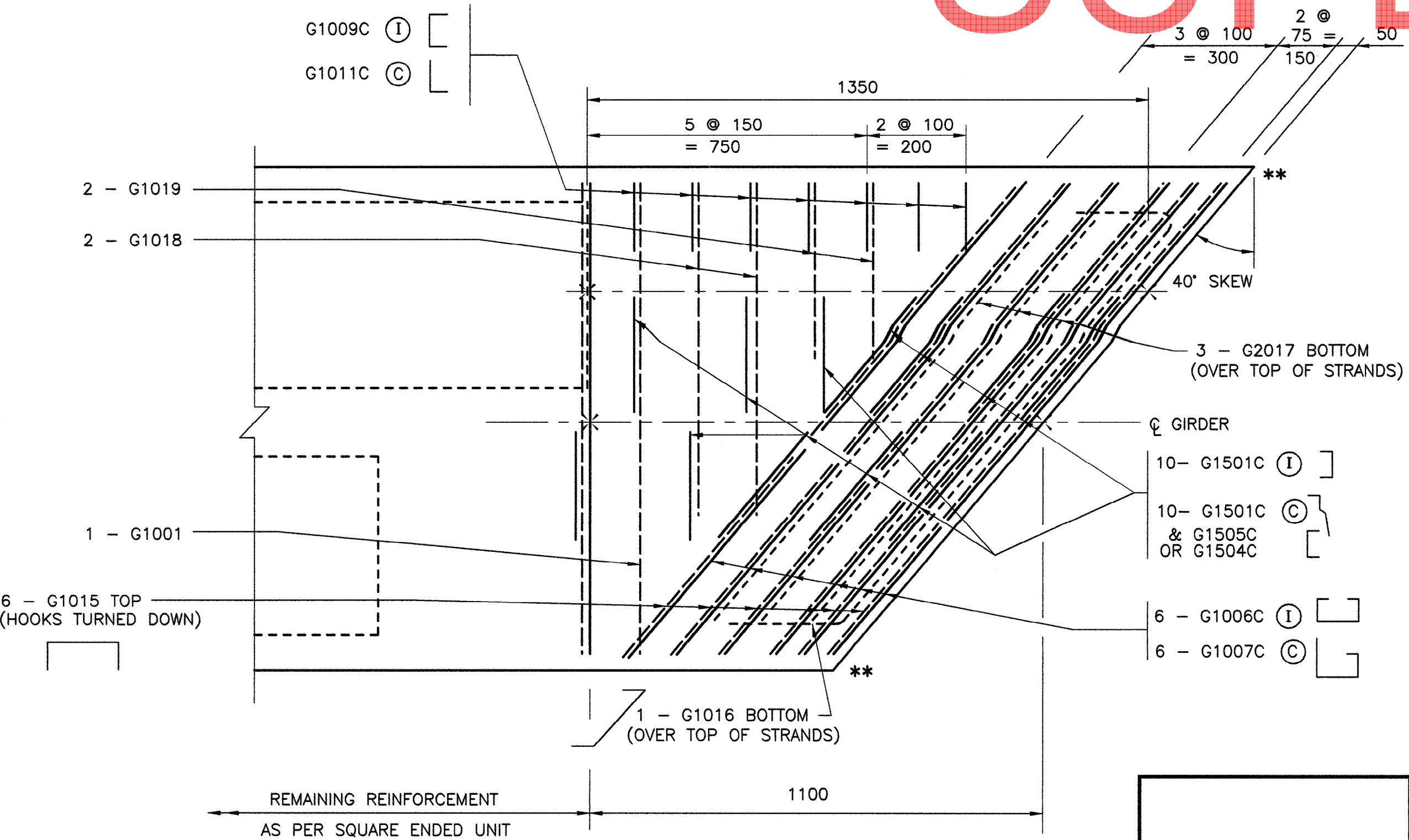
SUPERSEDED

GIRDER NOTES:

- Ⓢ DENOTES CURB GIRDER
- Ⓡ DENOTES INTERIOR GIRDER
- STIRRUPS ARE SHOWN AS SOLID LINES, OTHER BARS ARE SHOWN DASHED

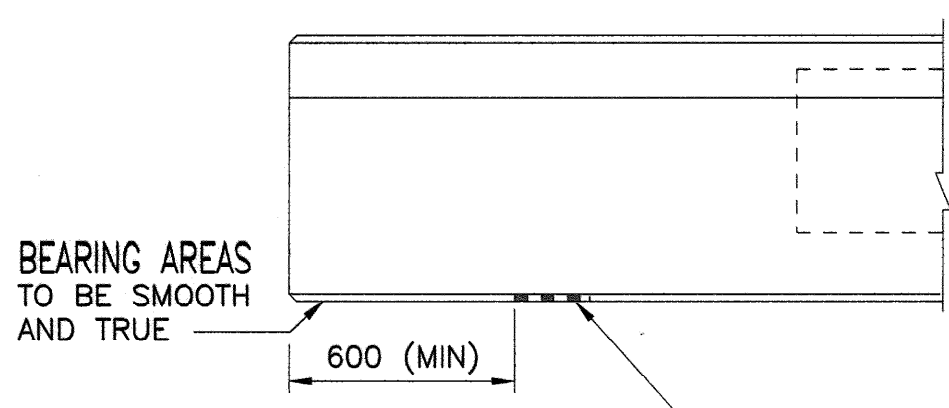
NOTE:

- AFTER GIRDERS ARE ERECTED, LIFTING STRANDS ARE TO BE CUT-OFF FLUSH WITH BOTTOM OF POCKET.
- 15# 7 WIRE STRANDS, 1000 MIN EMBEDMENT, 4 STRANDS IN INTERIOR GIRDERS AND 6 STRANDS IN CURB GIRDERS



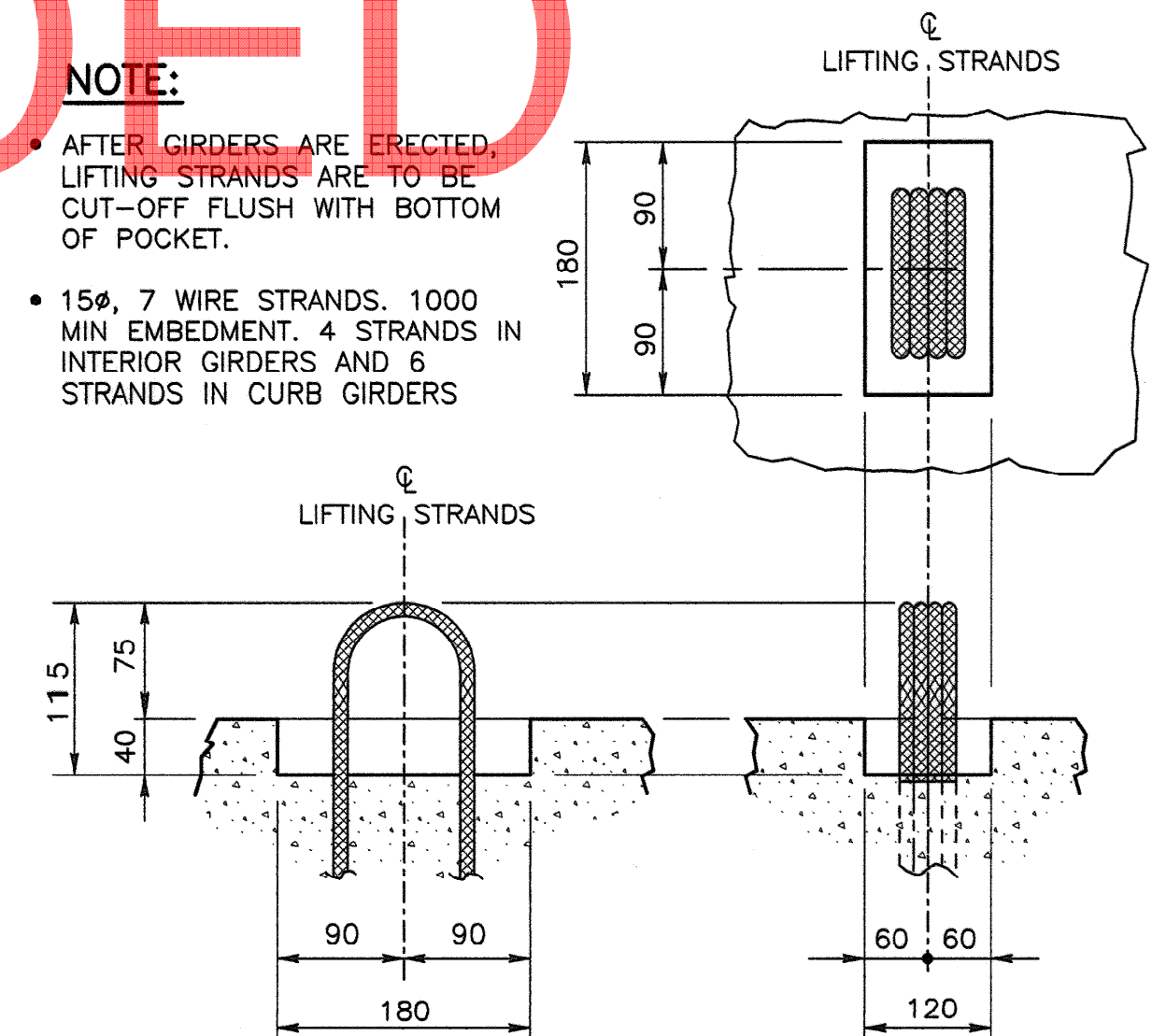
PLAN - 40° SKEW GIRDER END DETAIL

NTS



Ⓢ GIRDER IDENTIFICATION

S-1785, S-1786 1:20



LIFTING HOOK POCKET

1:5

BAR LIST: GIRDER END - 15° SKEW

MARK	SIZE	TYPE	X	Y	LENGTH
G1006C	10	B	1165		2955
G1007C	10	C	1165		3029 (3094)
G1009C	10	N	740	155	1195
G1011C	10	P	969 (1034)	300	1269 (1334)
G1015	10	A	1165	390	1945
G1016	10	M	1000	270	1630
G1018	10	L	800	390	1190
G1019	10	L	400	390	790
G1501C	15	N	740	170	1210
G1504C	15	D			1285 (1350)
G1505C	15	Q	VARIABLES	VARIABLES	VARIABLES
G2017	20	STR			980

BAR LIST: GIRDER END - 30° SKEW

MARK	SIZE	TYPE	X	Y	LENGTH
G1006C	10	B	1300		3090
G1007C	10	C	1300		3164 (3229)
G1009C	10	N	740	155	1195
G1011C	10	P	969 (1034)	300	1269 (1334)
G1015	10	A	1300	390	2080
G1016	10	M	1000	577	1755
G1018	10	L	800	390	1190
G1019	10	L	400	390	790
G1501C	15	N	740	170	1210
G1504C	15	D			1285 (1350)
G1505C	15	Q	VARIABLES	VARIABLES	VARIABLES
G2017	20	STR			1095

BAR LIST: GIRDER END - 40° SKEW

MARK	SIZE	TYPE	X	Y	LENGTH
G1006C	10	B	1470		3260
G1007C	10	C	1470		3334 (3399)
G1009C	10	N	740	155	1195
G1011C	10	P	969 (1034)	300	1269 (1334)
G1015	10	A	1470	390	2250
G1016	10	M	1000	840	1905
G1018	10	L	800	390	1190
G1019	10	L	400	390	790
G1501C	15	N	740	170	1210
G1504C	15	D			1285 (1350)
G1505C	15	Q	VARIABLES	VARIABLES	VARIABLES
G2017	20	STR			1240

-SUFFIX LETTER "C" ON BAR MARK DENOTES EPOXY COATED BARS.
 -MIN EPOXY COATED BEND: 10M = 80°
 15M = 120°

- NOTE**
- FOR BAR TYPES SEE DRAWING S-1785
 - FOR DIMENSIONS THAT VARY WITH CURB HEIGHT, DIMENSIONS ARE GIVEN AS:
 .XXX FOR 350 CURB
 (XXX) FOR 415 CURB

• FOR GENERAL NOTES SEE DWG S-1782 AND S-1786

NH AUG 18, 2008 S-1787-08.DWG -DRAWN-BY-RWK

	<p>PERMIT TO PRACTICE ISL Engineering and Land Services Ltd. Signature: [Signature] Date: <u>Aug 15, 2008</u> PERMIT NUMBER: P-4741 The Association of Professional Engineers, Geologists and Geophysicists of Alberta</p>	<p>DESIGNER DATE: <u>Aug 15 '08</u></p>	<p>CHECKER DATE: <u>Aug 15, 2008</u></p>	<p>RECOMMENDED DIRECTOR BRIDGE ENGINEERING APPROVED EXECUTIVE DIRECTOR TECHNICAL STANDARDS BRANCH DATE: <u>August 22, 2008</u></p>	<p>Alberta Transportation</p>
	<p>STANDARD SLC COMPOSITE BRIDGES SLC700 PRESTRESSED CONCRETE GIRDERS GIRDER END DETAILS</p>				