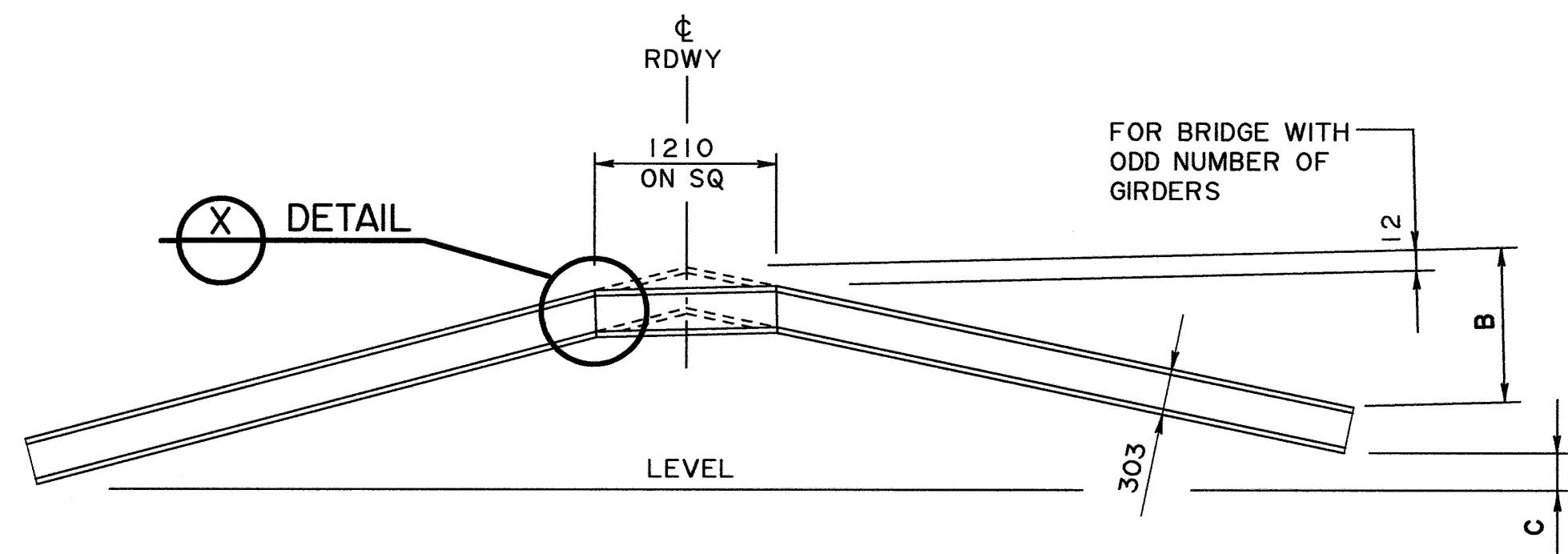
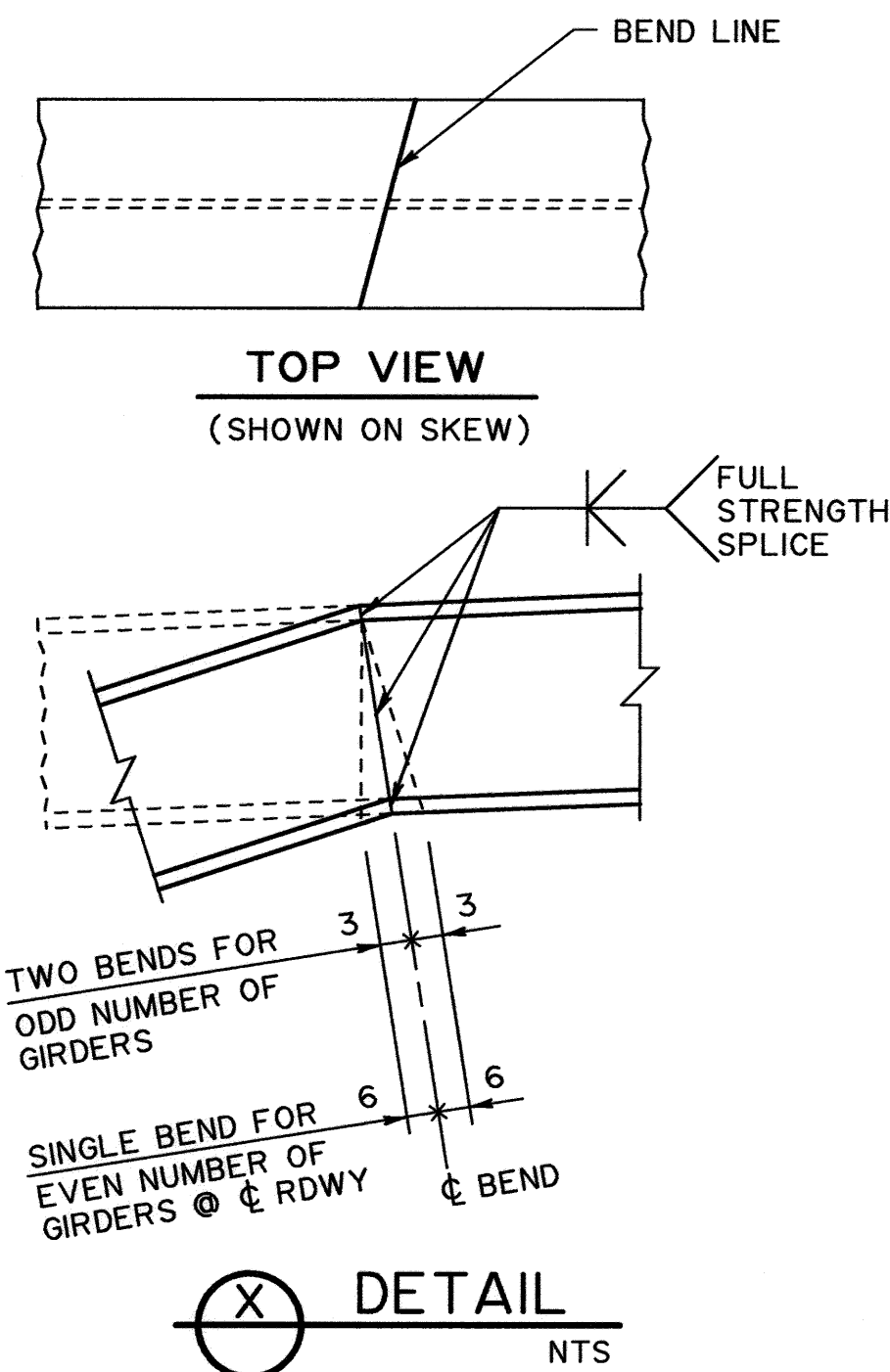


BEARING AND ANCHOR PILE ARRANGEMENT

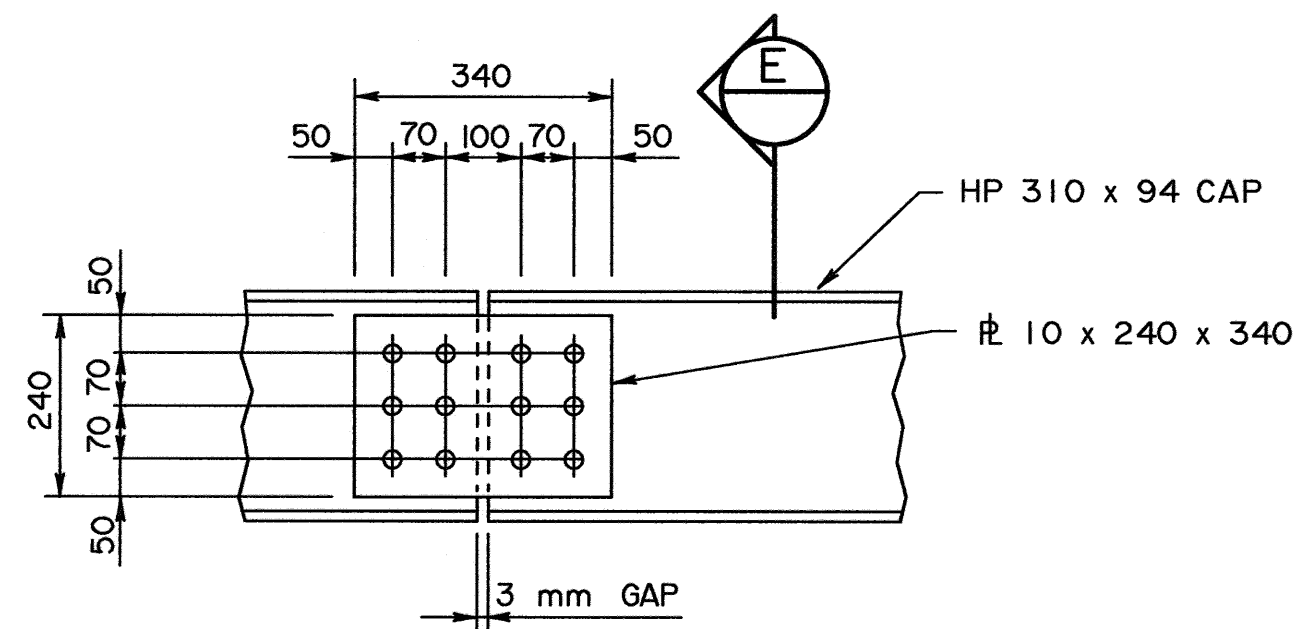
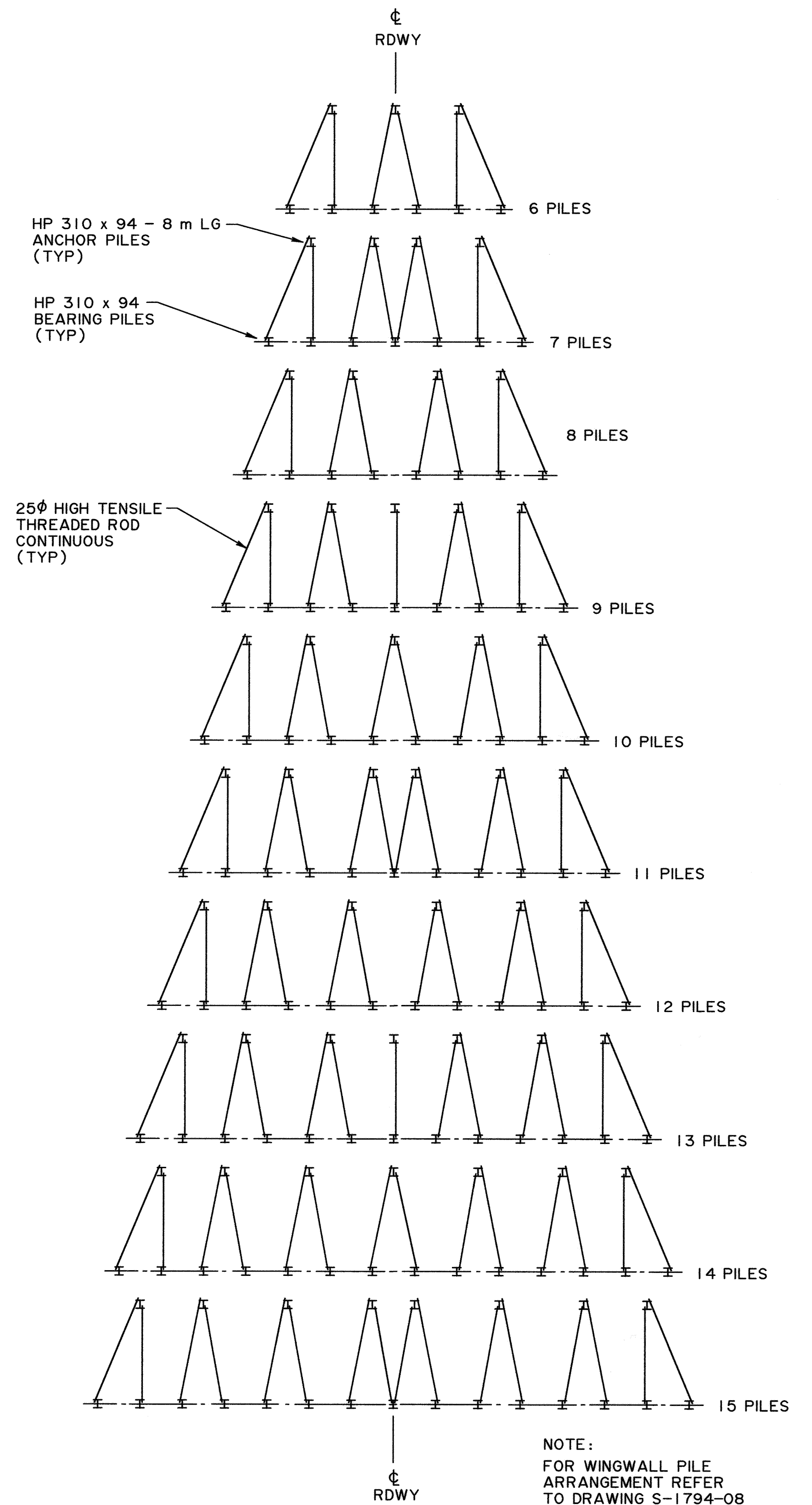


NOTE: DIMENSION B IS GIVEN TO THEORETICAL CROWN

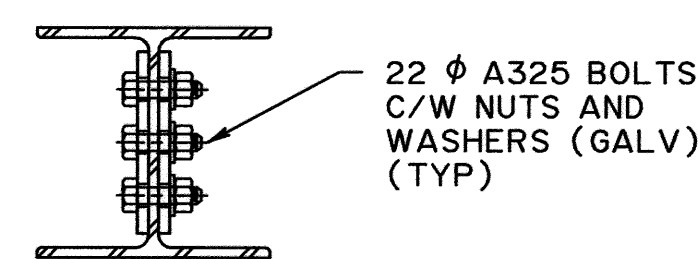
DETAIL
S-1794-08 NTS
(FOR B & C DIMENSIONS)



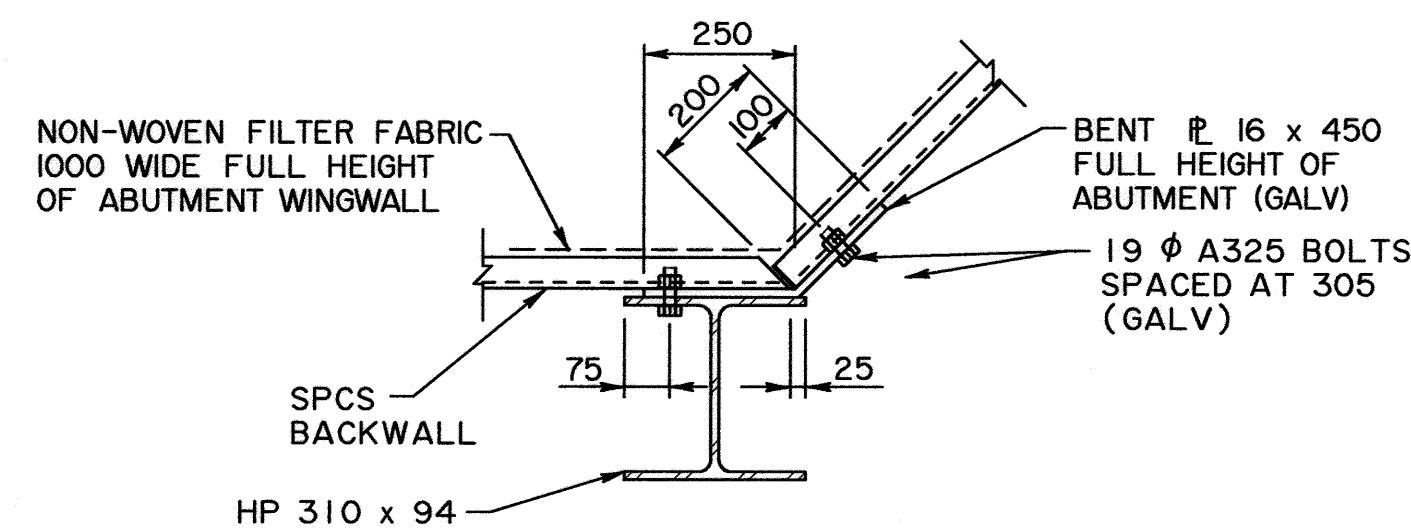
DETAIL
NTS



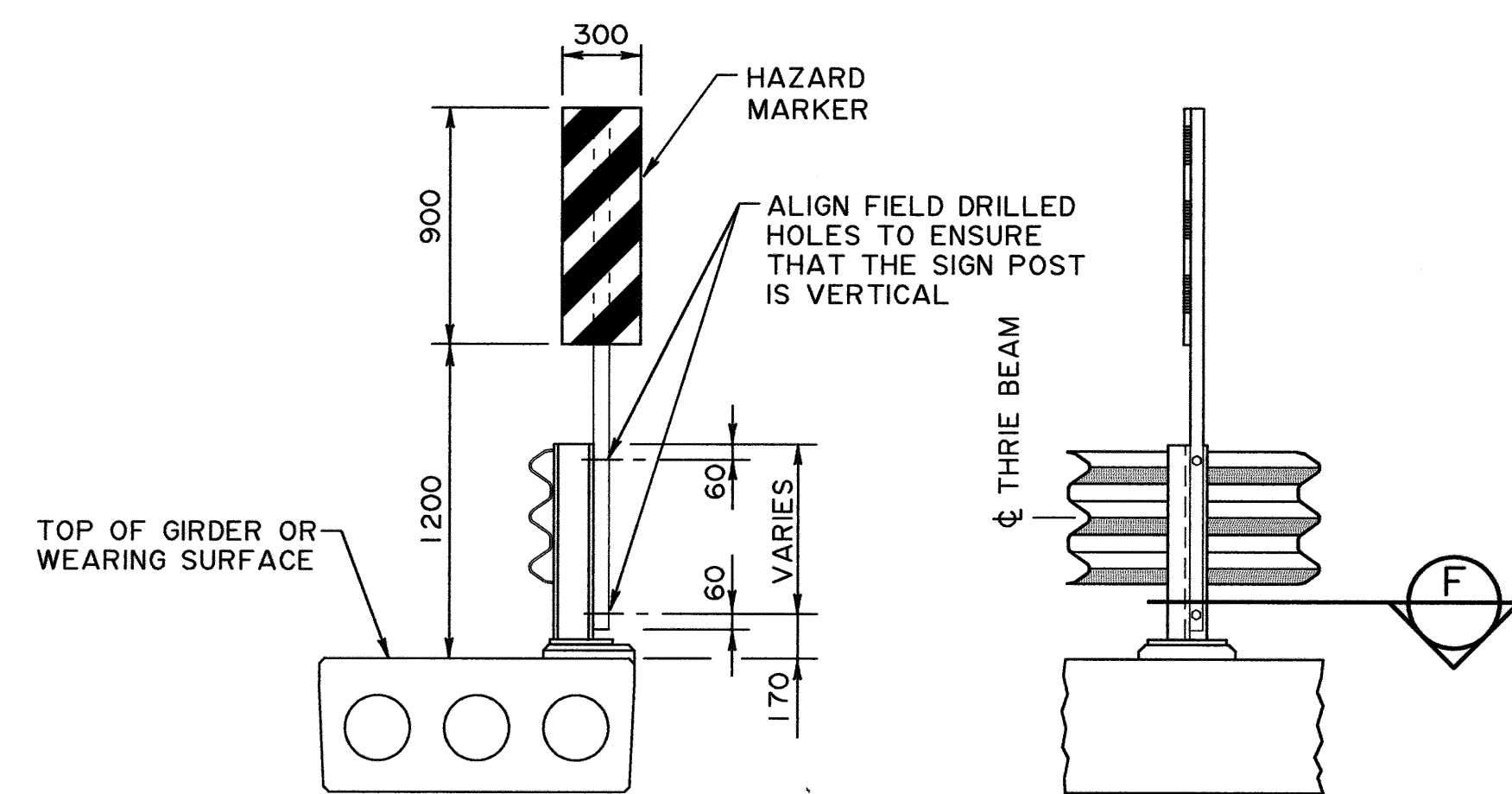
DETAIL - OPTIONAL FIELD SPLICE
S-1794-08 1:10



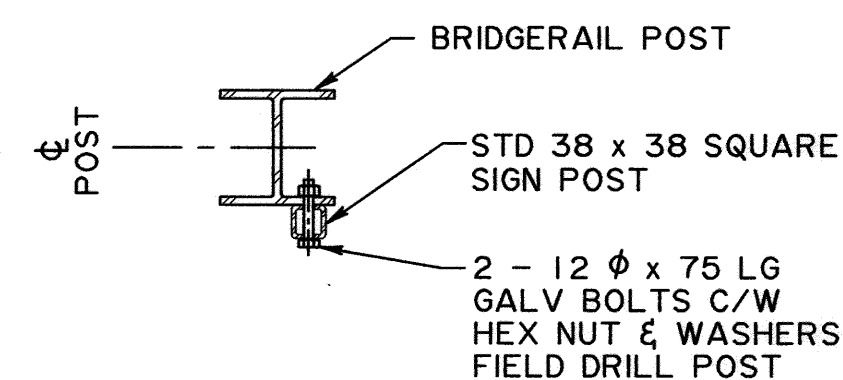
SECTION E
1:10



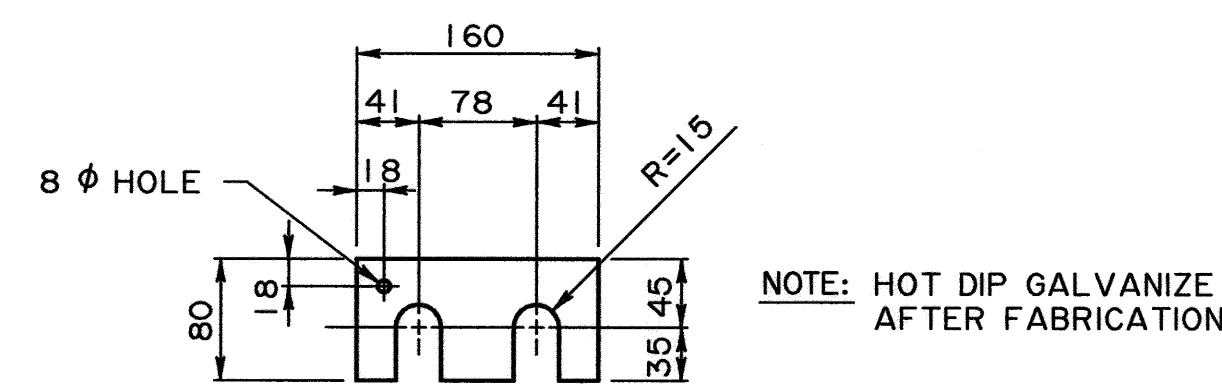
DETAIL Z
S-1794-08 1:10
(FOR SPCS)



OPTIONAL HAZARD MARKER
S-1793-08
S-1794-08 1:25



SECTION F
1:10



DETAIL S
S-1794-08 1:5

FOR SL-510 GIRDER TO GIRDER CONNECTIONS IN 2 mm AND 4 mm THICKNESSES USE WITH 2 - 19 φ A325 BOLTS (GALV)

	PERMIT TO PRACTICE MOST ENGINEERING (2001) LTD. Signature: <i>[Signature]</i> Date: <u>Aug 15, 2008</u> PERMIT NUMBER: P 8859 The Association of Professional Engineers, Geologists and Geophysicists of Alberta	DESIGNER 	CHECKER 	RECOMMENDED DIRECTOR BRIDGE ENGINEERING <i>[Signature]</i>	APPROVED EXECUTIVE DIRECTOR TECHNICAL STANDARDS BRANCH <i>[Signature]</i>	Alberta Transportation SL PRECAST GIRDER BRIDGES WITH HIGH BACKWALL STEEL ABUTMENTS - SHEET 4	
		DATE: <u>Aug 15, 2008</u>	DATE: <u>08/15/2008</u>	DATE: <u>Sept 8/08</u>			