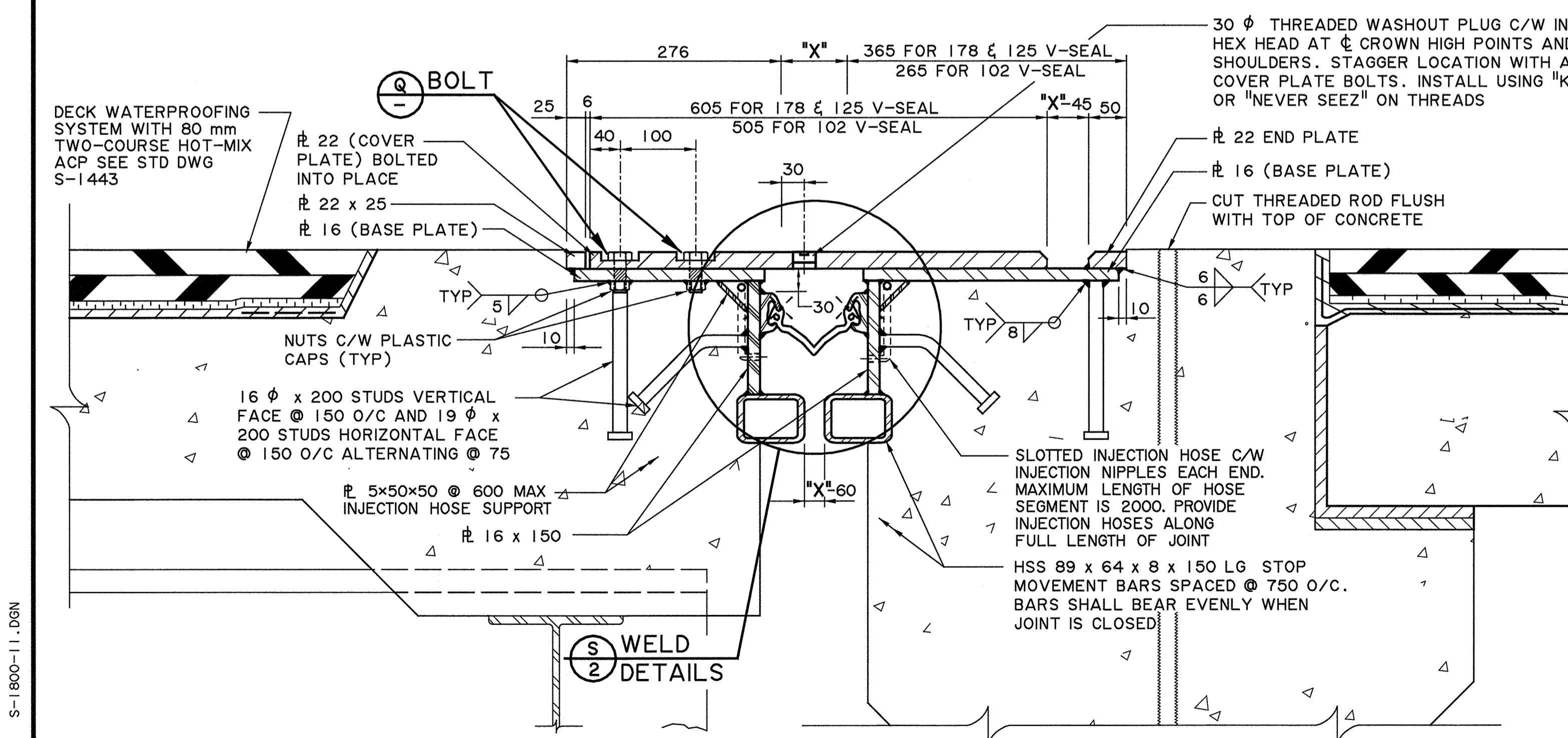
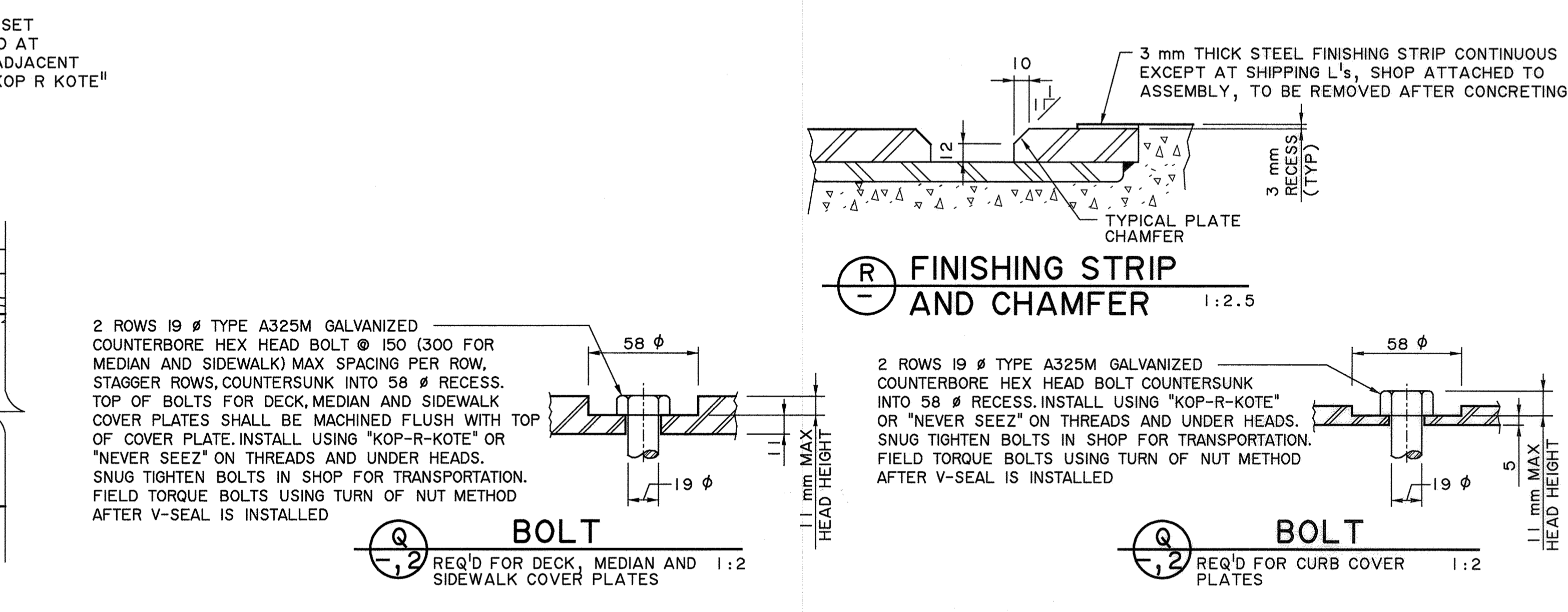
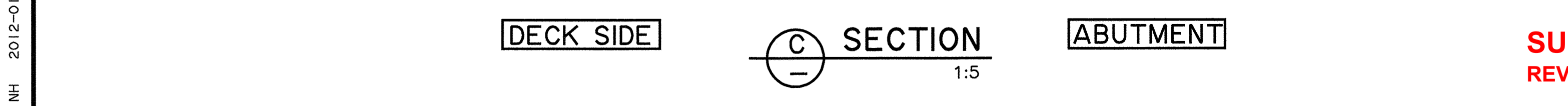


INSTALLATION SECTION



COMPLETED SECTION



• WORK THESE DRAWINGS TOGETHER: S-1800, S-1801 AND S-1802

RECOMMENDED	DIRECTOR BRIDGE ENGINEERING
<i>D. Williamson</i>	
APPROVED	EXECUTIVE DIRECTOR TECHNICAL STANDARDS BRANCH
<i>P. W. [Signature]</i>	
DESIGNER	CM CM
CHECKER	Ry RY
DATE	Jan 19/2012

Government of Alberta ■ Transportation

COVER PLATED V-SEAL DECK JOINT - SHT 1

AI BAR CODE	DATE	SHEET	DRAWING
	2012-01-19	1 of 3	S-1800-11

SUPERSEDED BY S-1800-11
REVISION 1, 2014-02-20

NH 2012-01-19 S-1800-11.DSN