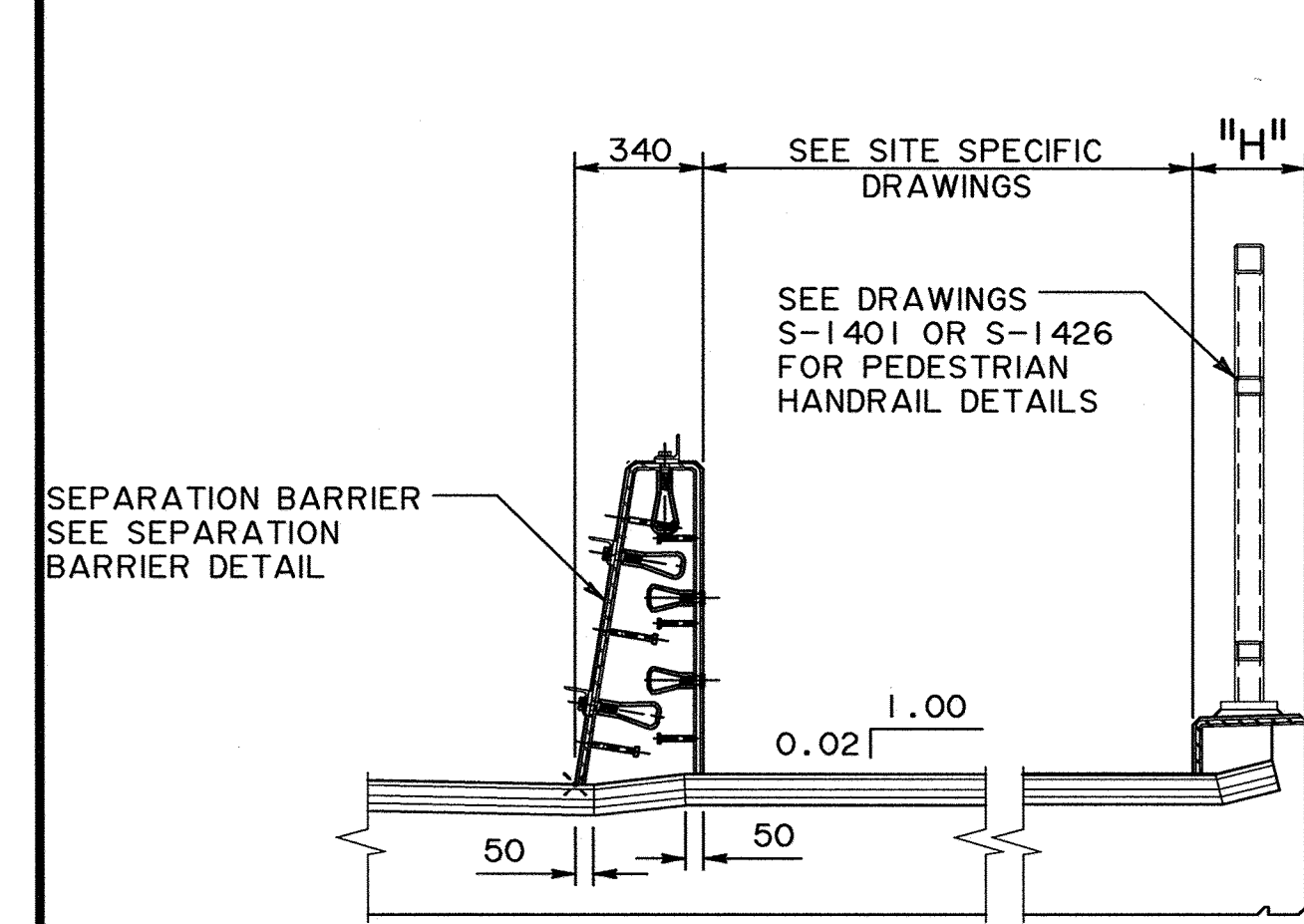
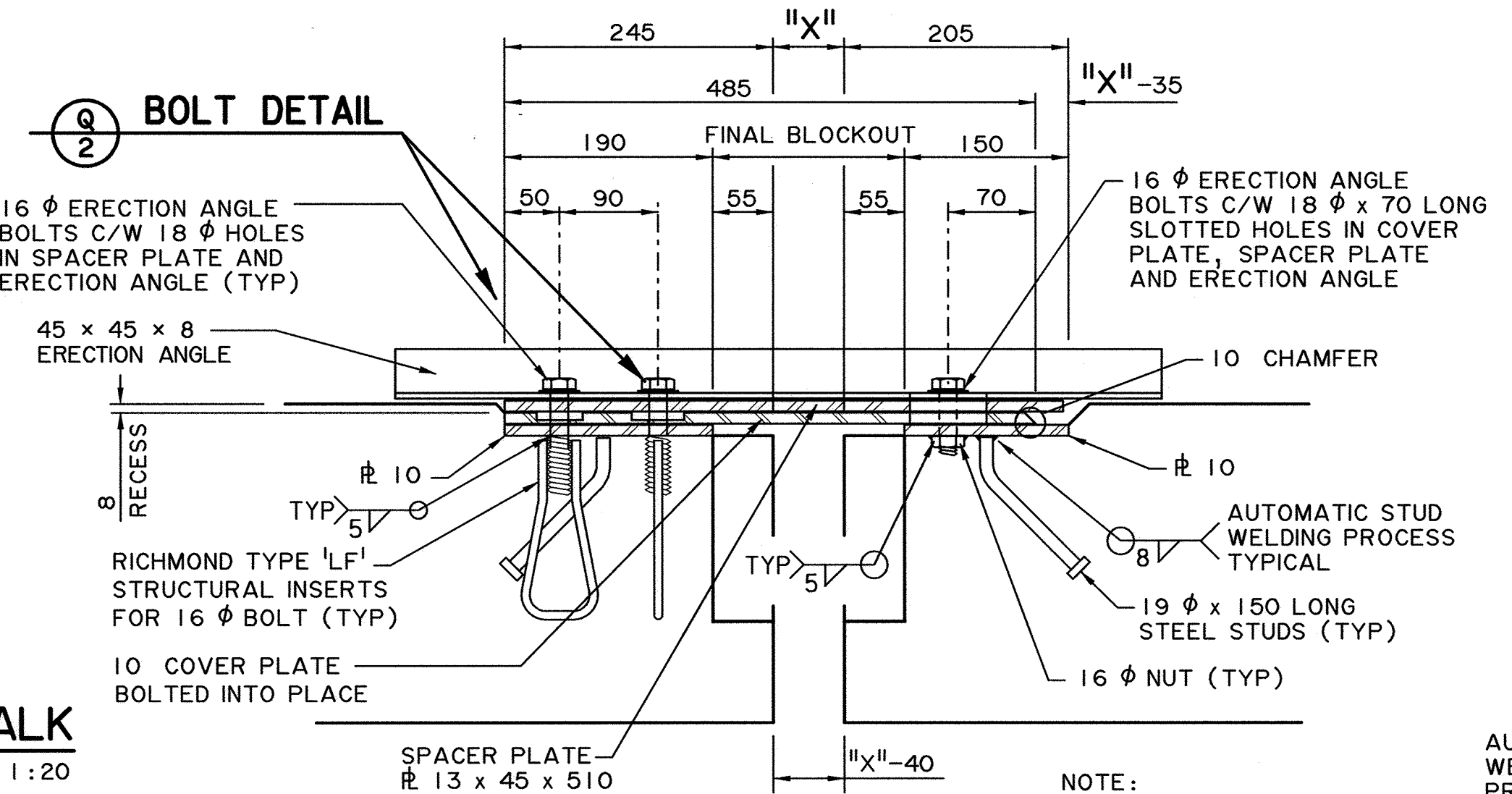


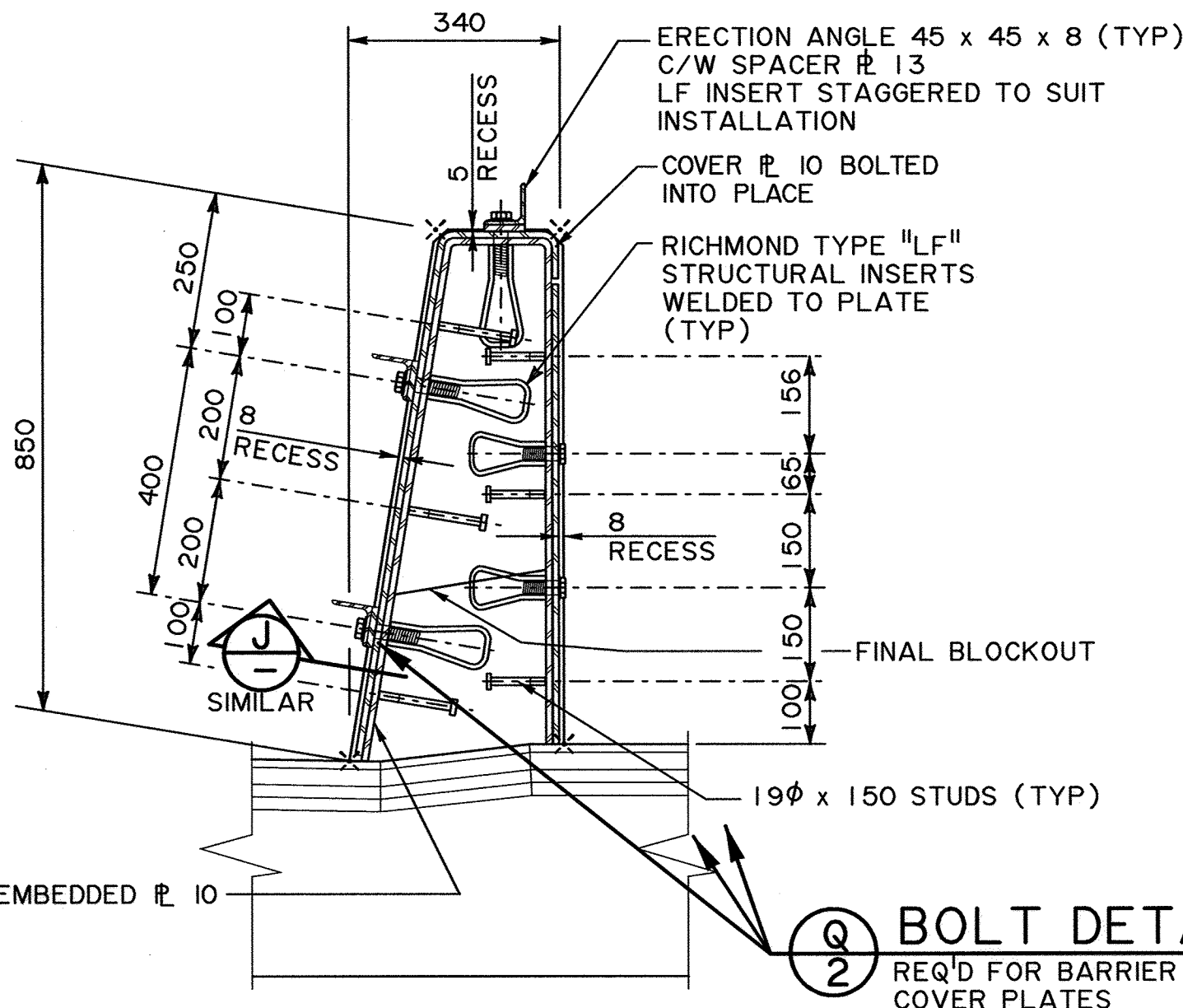
NH 2012-01-19 S-1812-12.DGN



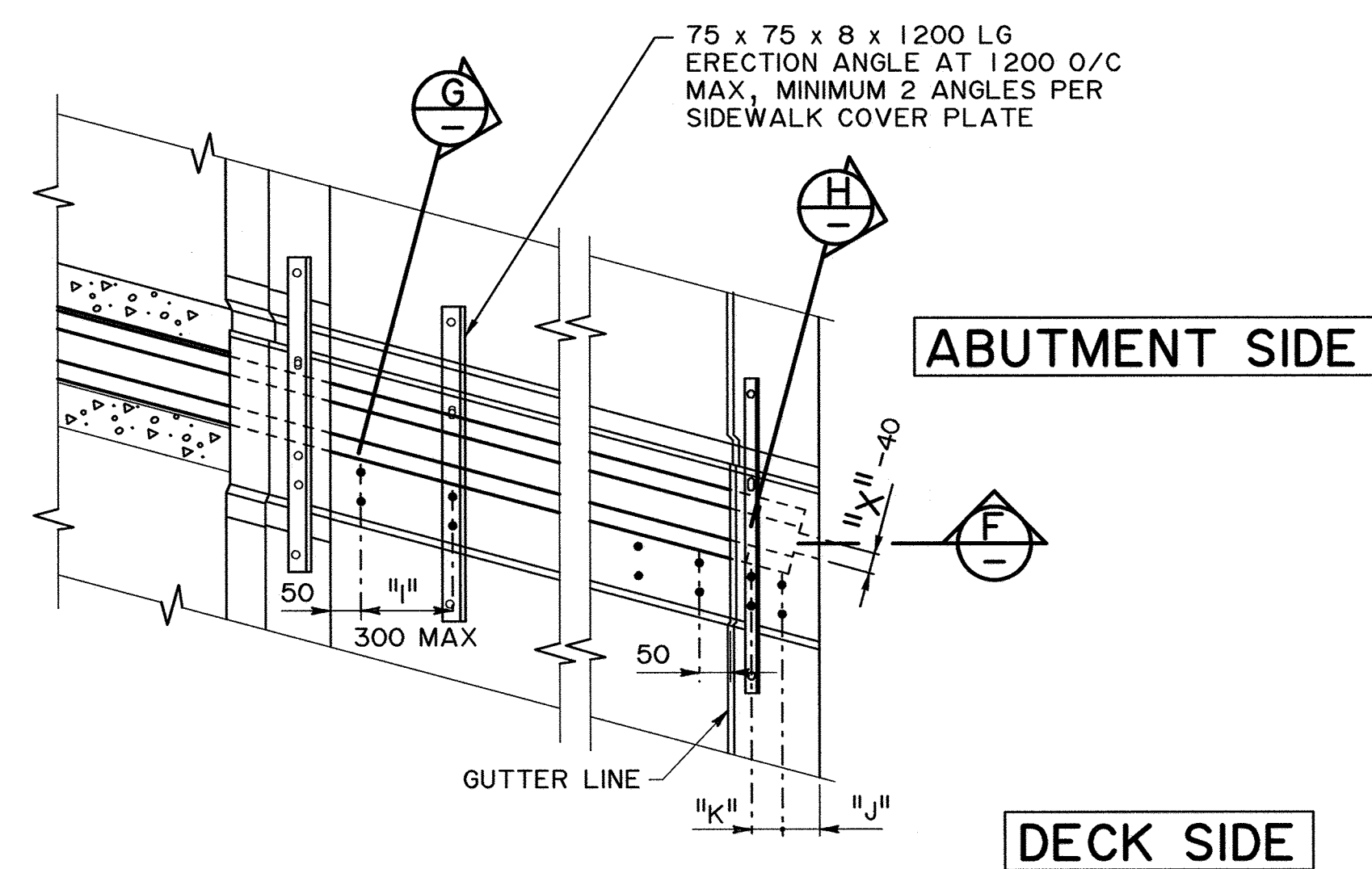
**SEPARATION BARRIER WITH SIDEWALK**  
1:20



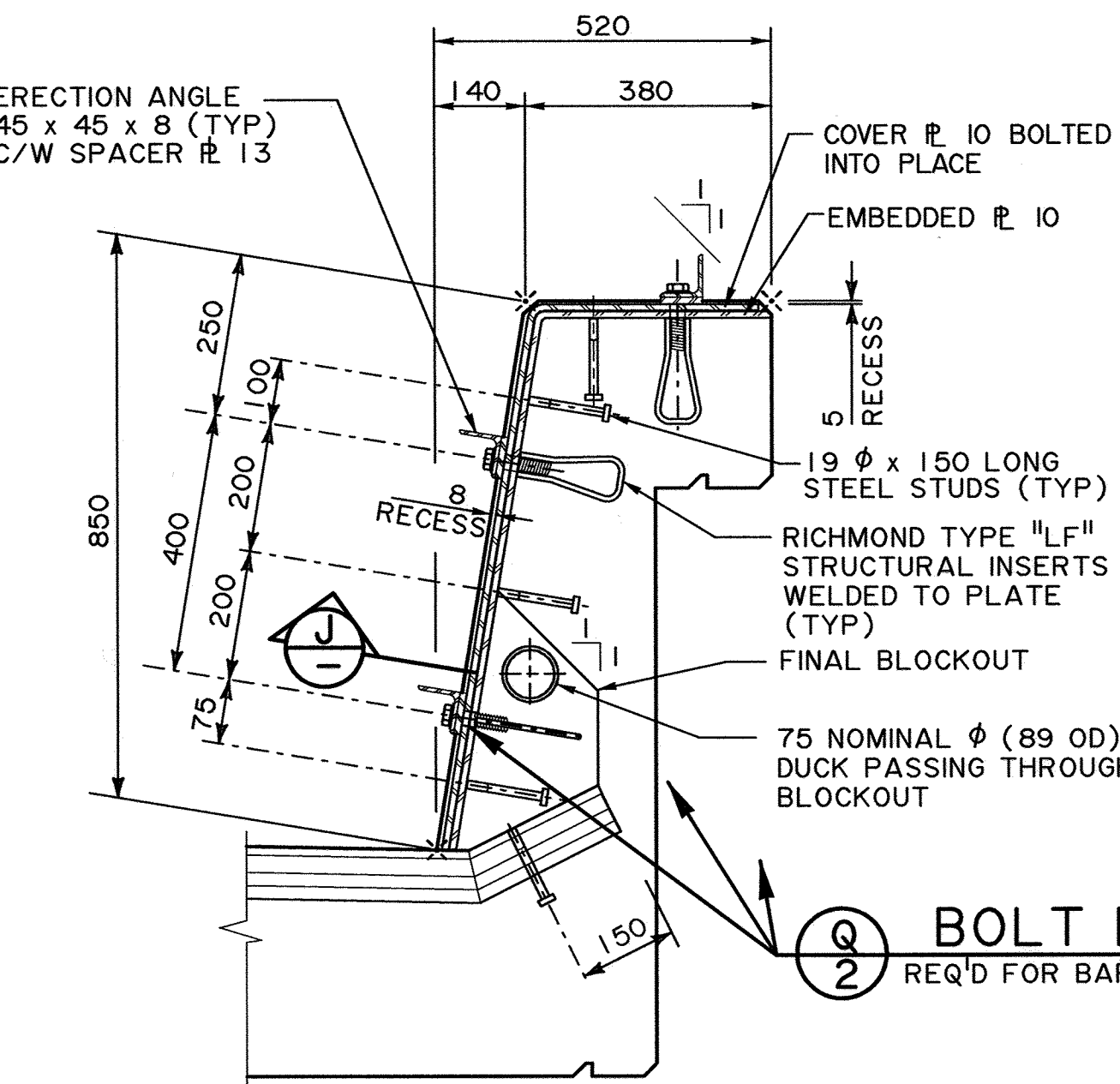
**DECK SIDE ABUTMENT SIDE**  
1:5



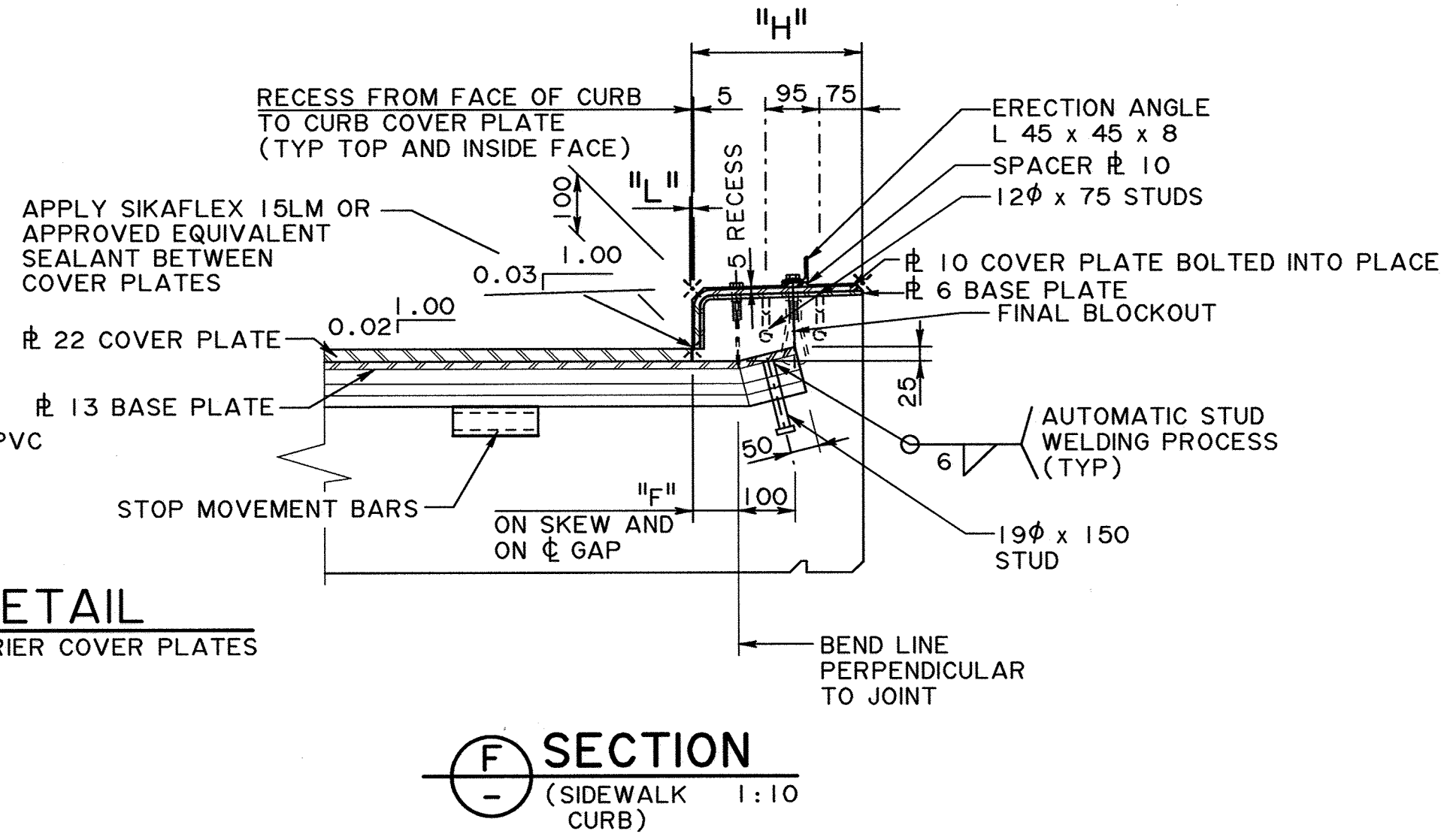
**SEPARATION BARRIER**  
1:10



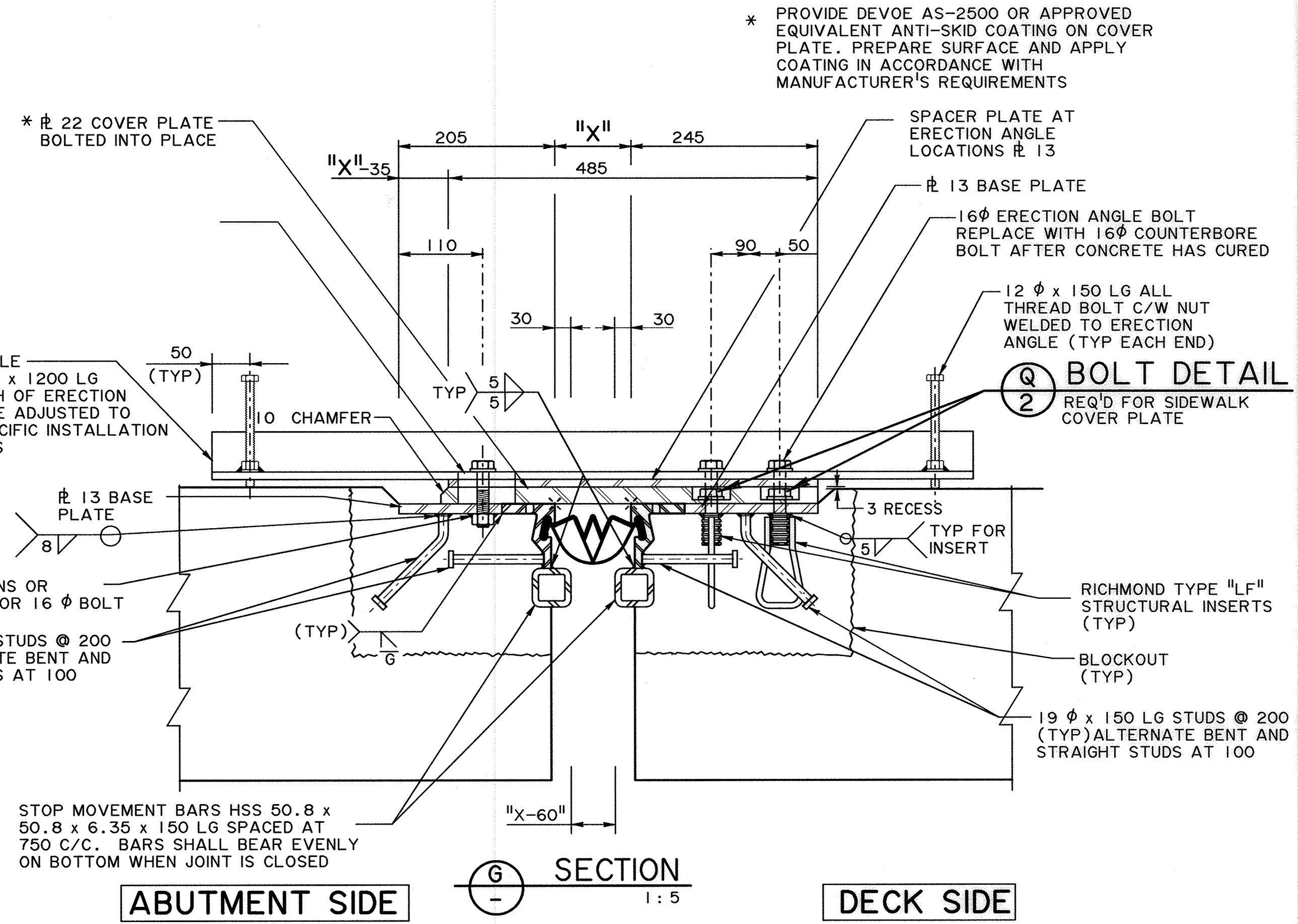
**DECK JOINT ASSEMBLIES - PLAN**  
(AT SIDEWALK)  
1:20



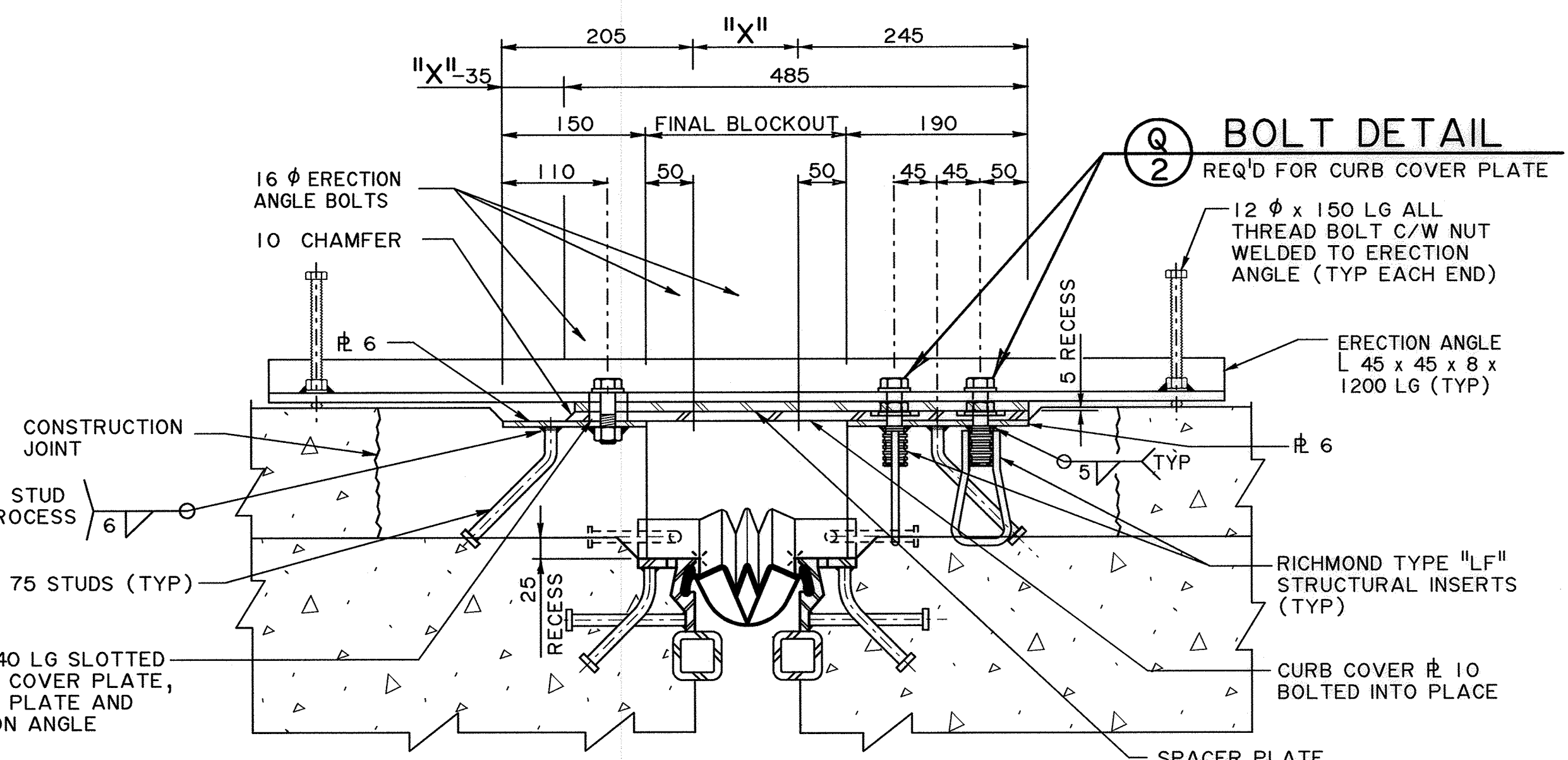
**EXTERIOR CONCRETE TRAFFIC BARRIER**  
1:10



**SECTION**  
(SIDEWALK CURB)  
1:10



**ABUTMENT SIDE DECK SIDE**  
1:5



**ABUTMENT SIDE DECK SIDE**  
1:5

\* PROVIDE DEVCO AS-2500 OR APPROVED EQUIVALENT ANTI-SKID COATING ON COVER PLATE. PREPARE SURFACE AND APPLY COATING IN ACCORDANCE WITH MANUFACTURER'S REQUIREMENTS

• WORK THESE DRAWINGS TOGETHER: S-1810, S-1811 AND S-1812

RECOMMENDED DIRECTOR BRIDGE ENGINEERING	<b>Government of Alberta</b> ■ Transportation		
<i>D. Williamson</i>	TYPE I STRIP SEAL DECK JOINT - SHEET 3		
APPROVED FOR EXECUTIVE DIRECTOR TECHNICAL STANDARDS BRANCH	DEPARTMENT BAR CODE		
<i>John R. ...</i>	DATE	SHEET	DRAWING
DESIGNER	DATE	3 OF 3	S-1812-12
CM	Jan 19/2012		
CM	CHECKER	REVISIONS	BY