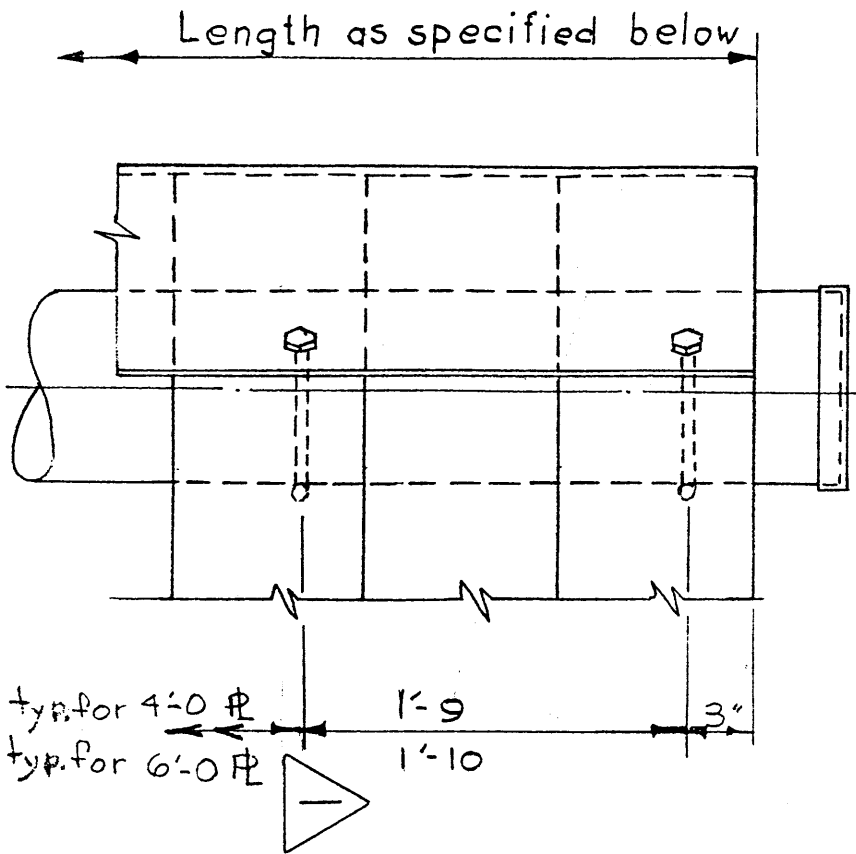


1/2" ϕ bolt with hex. nut
and washers.



Length as specified below

NOSE PLATE
Scale: 1"=1'-0"

MATERIALS REQ'D
 — ϕ 3/8" x 3'-0" ; 4'-0" or 6'-0" long.
 — 1/2" ϕ Mach. bolts x 2'-10" long.
 — M. I washers.

Δ Aug. 31/66	Bolt Spacing	DA.	R. C.
PROVINCE OF ALBERTA DEPARTMENT OF HIGHWAYS BRIDGE BRANCH			
NOSE PLATE			
FILE: —	DATE: June 2/65	Dwg. 5508	