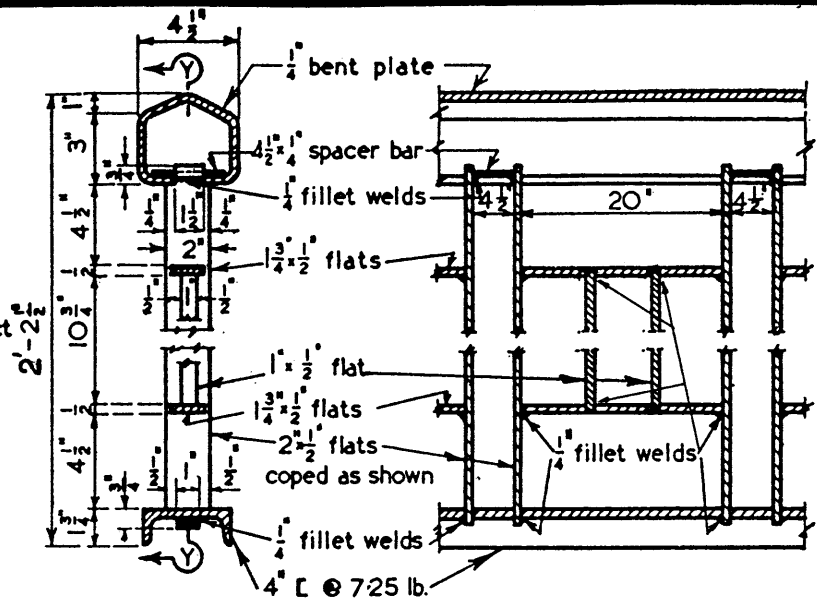


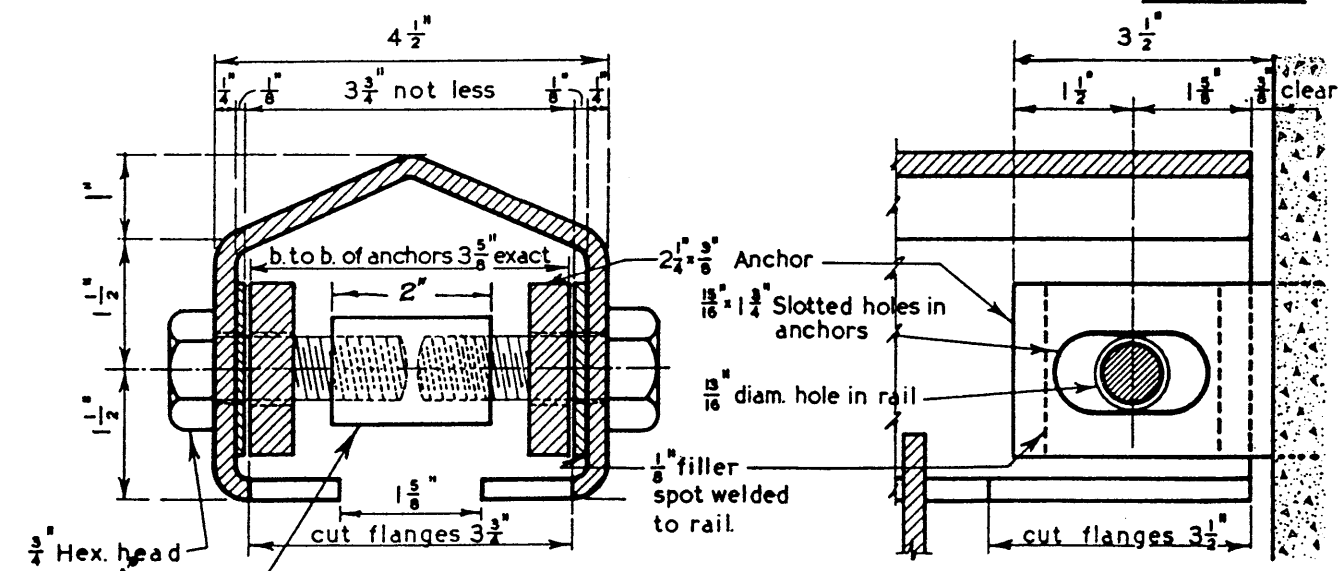
ELEVATION

END ELEV OF POST
SHOWING DIMENSIONS FOR SETTING ANCHORS

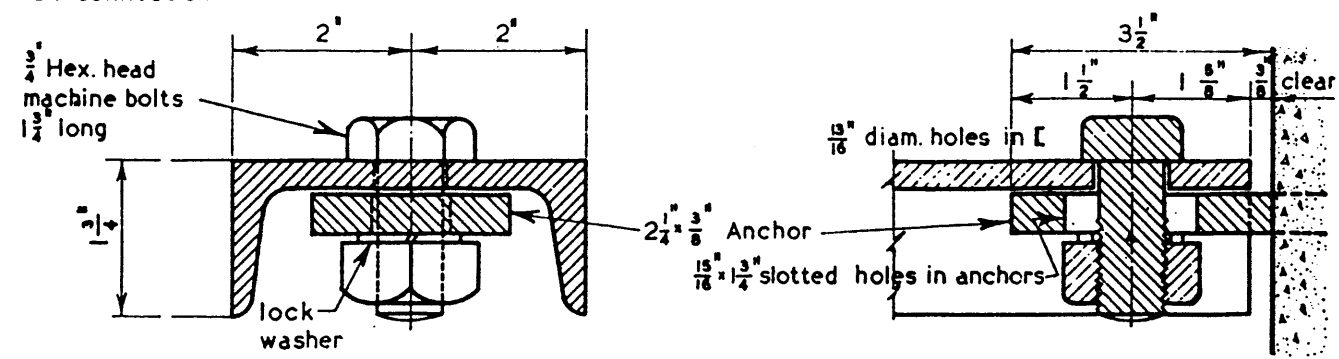


SECTION X-X

SECTION Y-Y



DETAIL OF TOP RAIL CONNECTION



DETAIL OF BOTTOM RAIL CONNECTION

BILL OF MATERIAL	
No.	Details
	Steel posts: Interior {Complete as per drawing D
	Steel posts: End {drawing D
	Anchors "R" 2 1/4" x 3/8"
	Anchors "S" 2 1/4" x 3/8"
	Anchors "T" 2 1/4" x 3/8"
	3/4" Hexagon head machine bolts 1 3/4" long each with one square nut and one lock washer
	3/4" Hexagon head machine bolts 2" long
	Coupling nuts for 3/4" bolts

NOTE: Slotted holes in anchors must be finished smooth and true

DETAILS OF STEEL HANDRAIL PANELS
HIGHWAY TYPE

FILE No. _____
NOTE: -All steel including bolt heads nuts, and anchors, to be given one shop coat of paint applied by brush as per specifications

DEPARTMENT OF HIGHWAYS
BRIDGE ENGINEER
Contract Number... Drawing Number... **S 513**

S-513

AT & U - RECORDS CENTRE

F19838