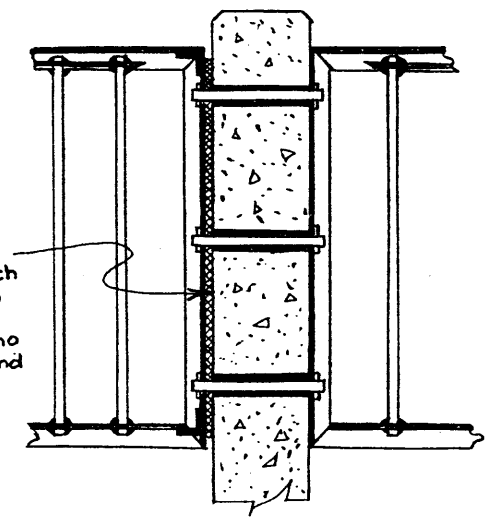
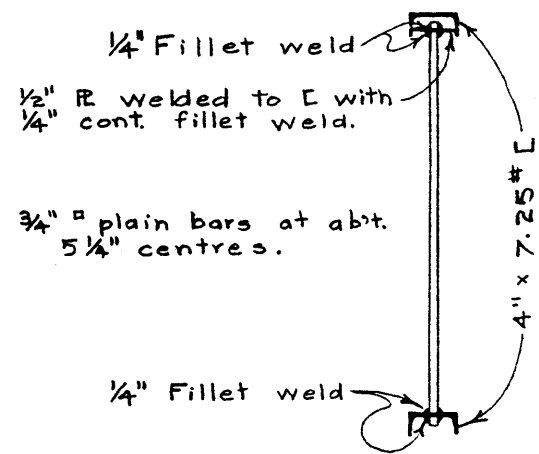


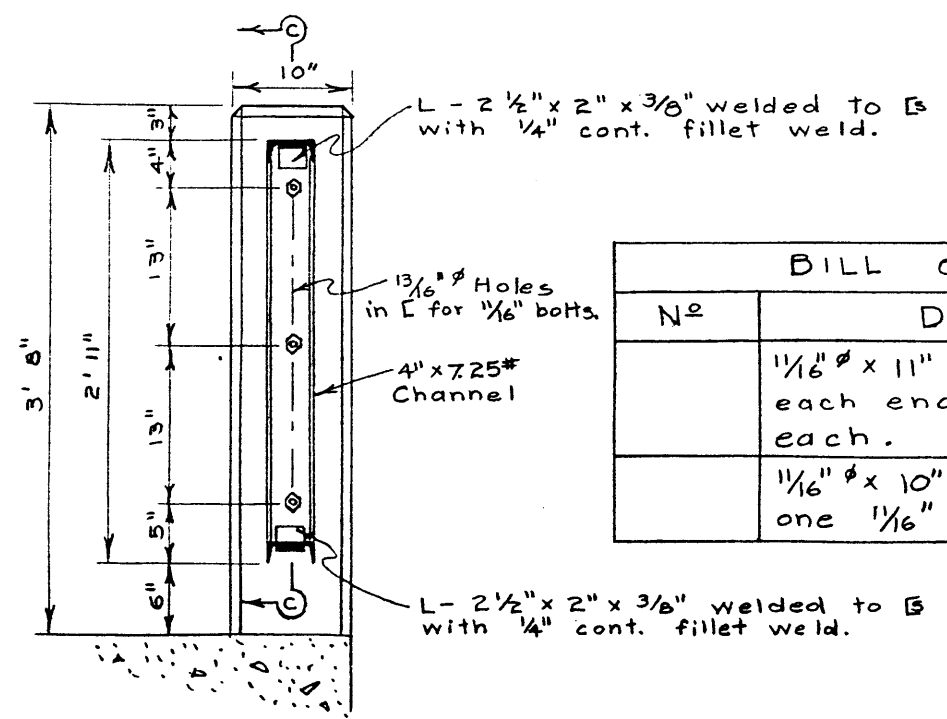
ELEVATION
Scale 1/2" = 1'-0"



SECTION C-C
Scale 3/4" = 1'-0"



SECTION A-A
Scale 3/4" = 1'-0"



SECTION B-B

BILL OF MATERIAL	
No	DETAILS
	1 1/16" ϕ x 11" Bolts "P" (Thread 2" at each end) and 2 1 1/16" Hex. nuts each.
	1 1/16" ϕ x 10" Machine Bolts "Q" and one 1 1/16" Hex. nut each.

DETAILS OF STEEL	
HANDRAIL PANELS	
SIDEWALK TYPE	
DEPARTMENT OF HIGHWAYS BRIDGE BRANCH	
Contract Number	Dwg. No. S514 C

NOTE:-All steel including bolt heads and nuts to be given one shop coat of paint applied by brush as per specifications.

S 514 C

S 514 - C

