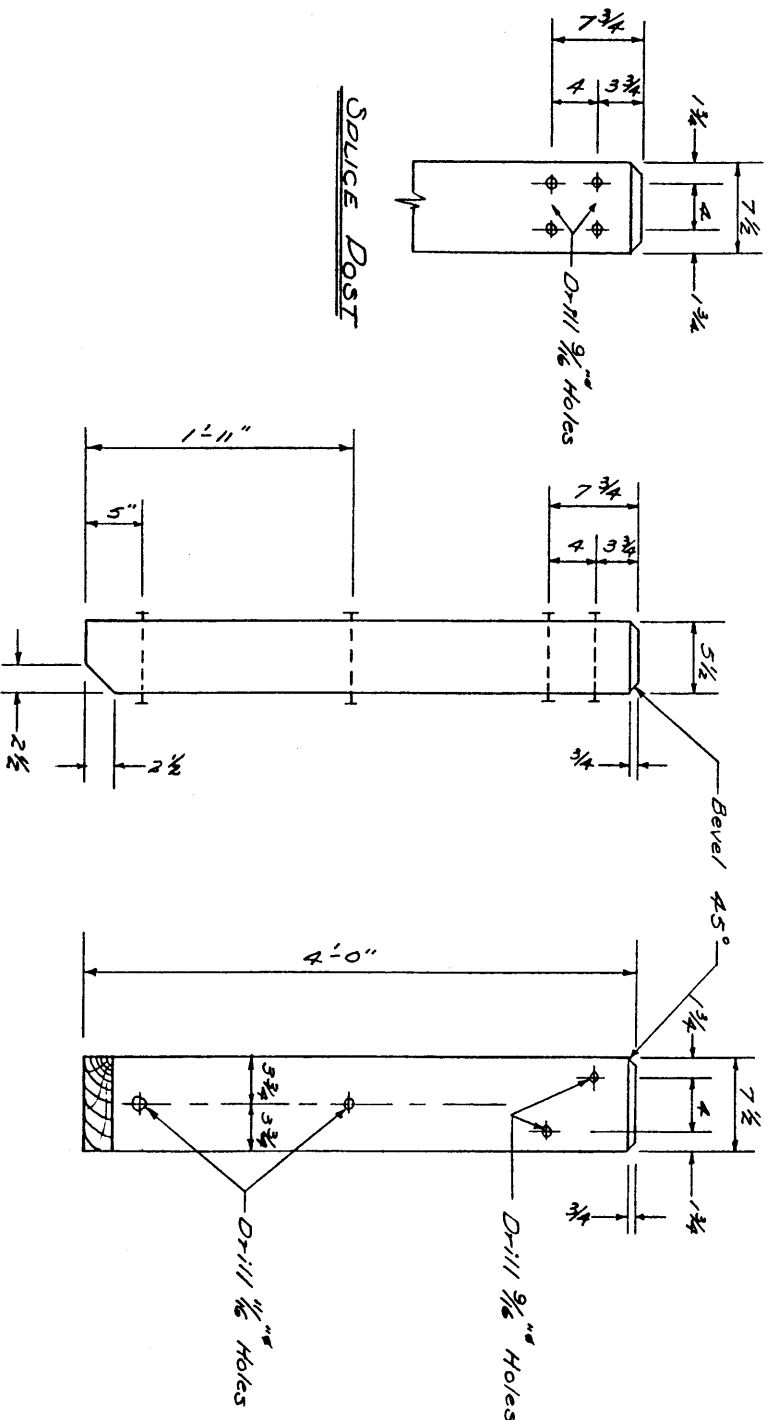
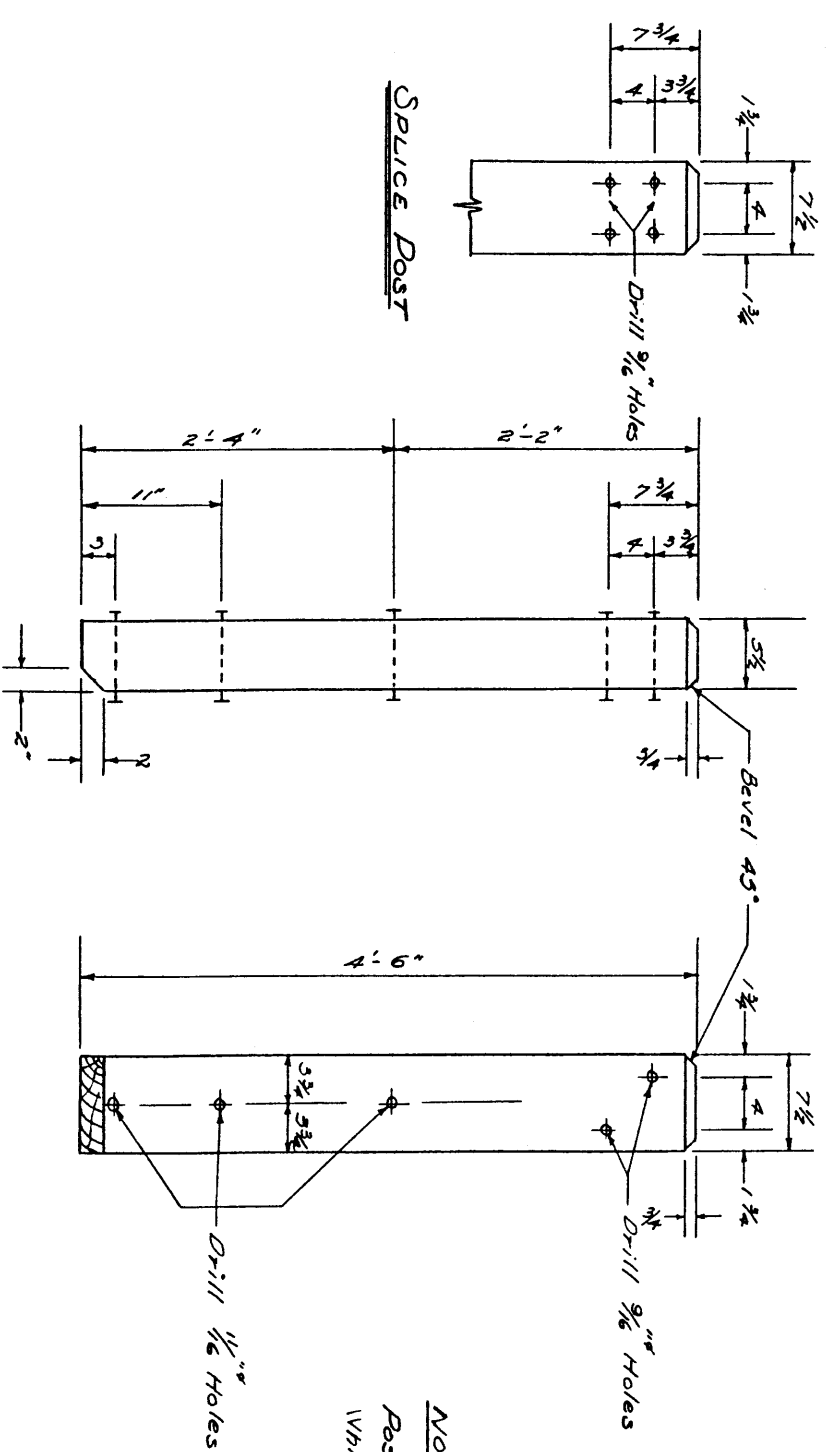


TYPE 1 HANDRAIL POST - 6"x8"x4'-0" S4S



TYPE 3 HANDRAIL POST 6"x8"x4'-0" S4S



HANDRAIL POST FOR TIMBER STRINGER

6"x8"x4'-6" S4S

NOTE:
Posts to be painted one coat
White Primer in shop.

PROVINCE OF ALBERTA
DEPARTMENT OF PUBLIC WORKS
BRIDGE BRANCH

HANDRAIL POSTS

Scale: 1"=1'-0"
Date: 16 Apr 51 Dwg. S-522