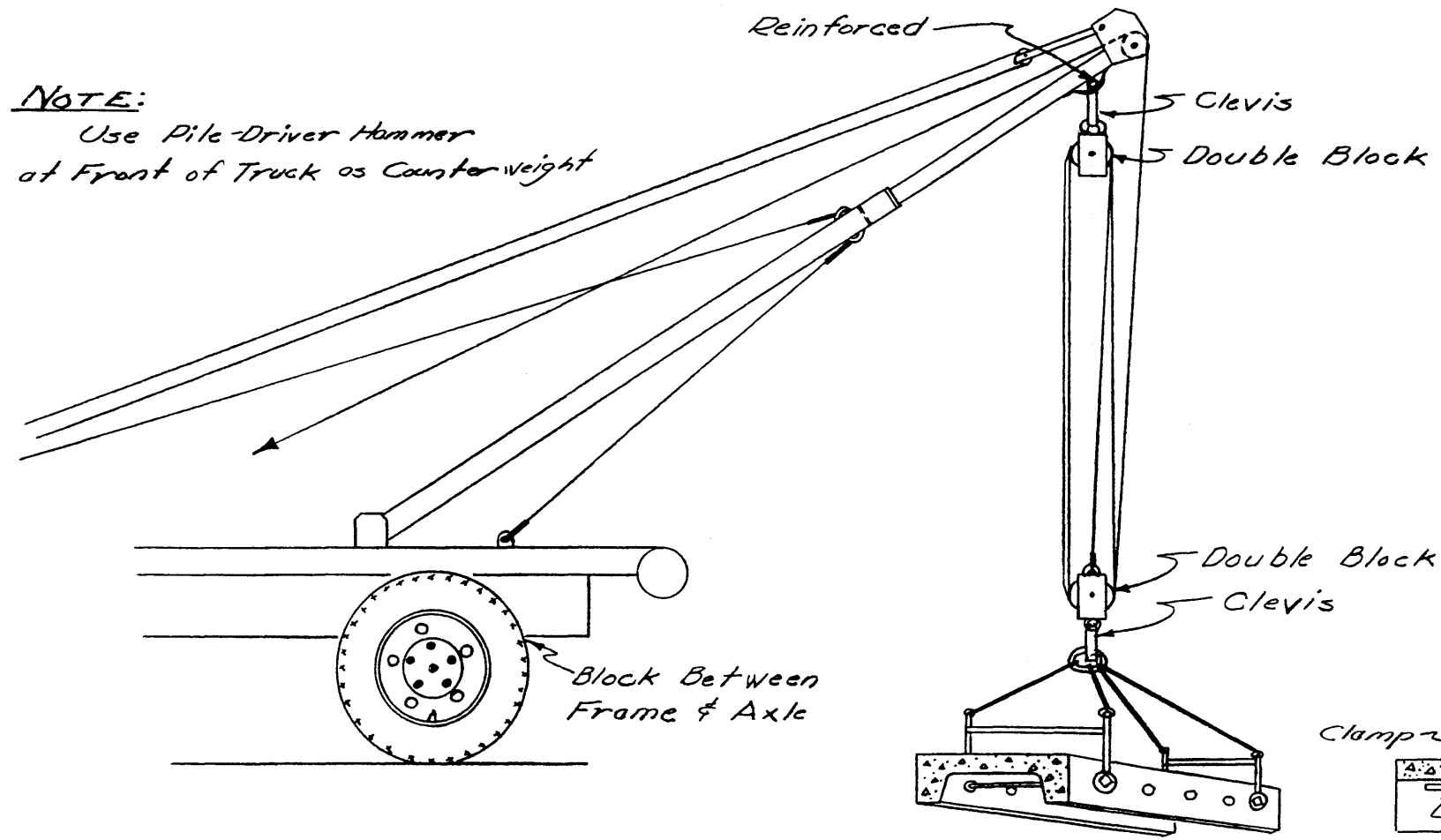


NOTE:
Use Pile-Driver Hammer
at Front of Truck as Counterweight



NOTE:
Mechanical Advantage = 5
i.e. if Pull = 1,000 lbs. then
Load lifted = 5,000 lbs.

NOTE:
For Aligning Stringer units,
Use 1" Pilot Bolt.

LIFTING CURB UNIT.

METHOD OF CABLE HOOK UP
LIFTING PRECAST CONCRETE
STRINGERS WITH BOOM TRUCK

APR. 23, 1951	DWG. S-523
---------------	------------

