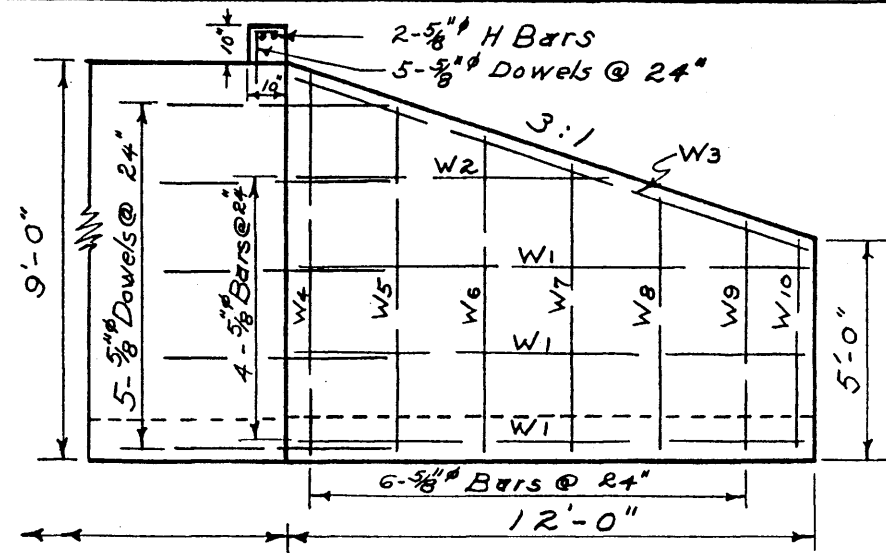
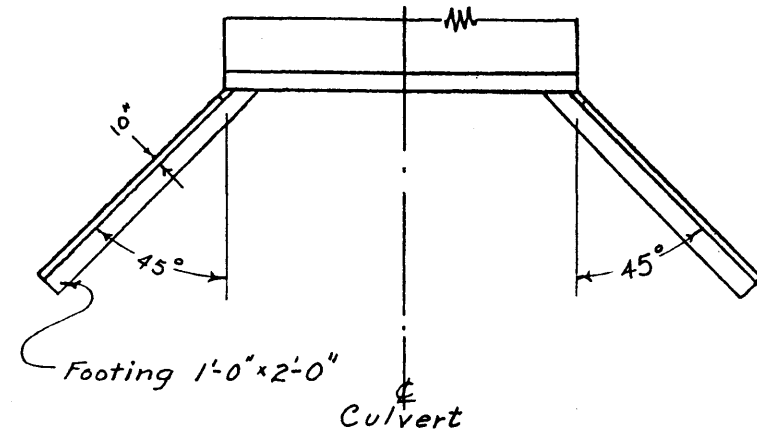


PO2104

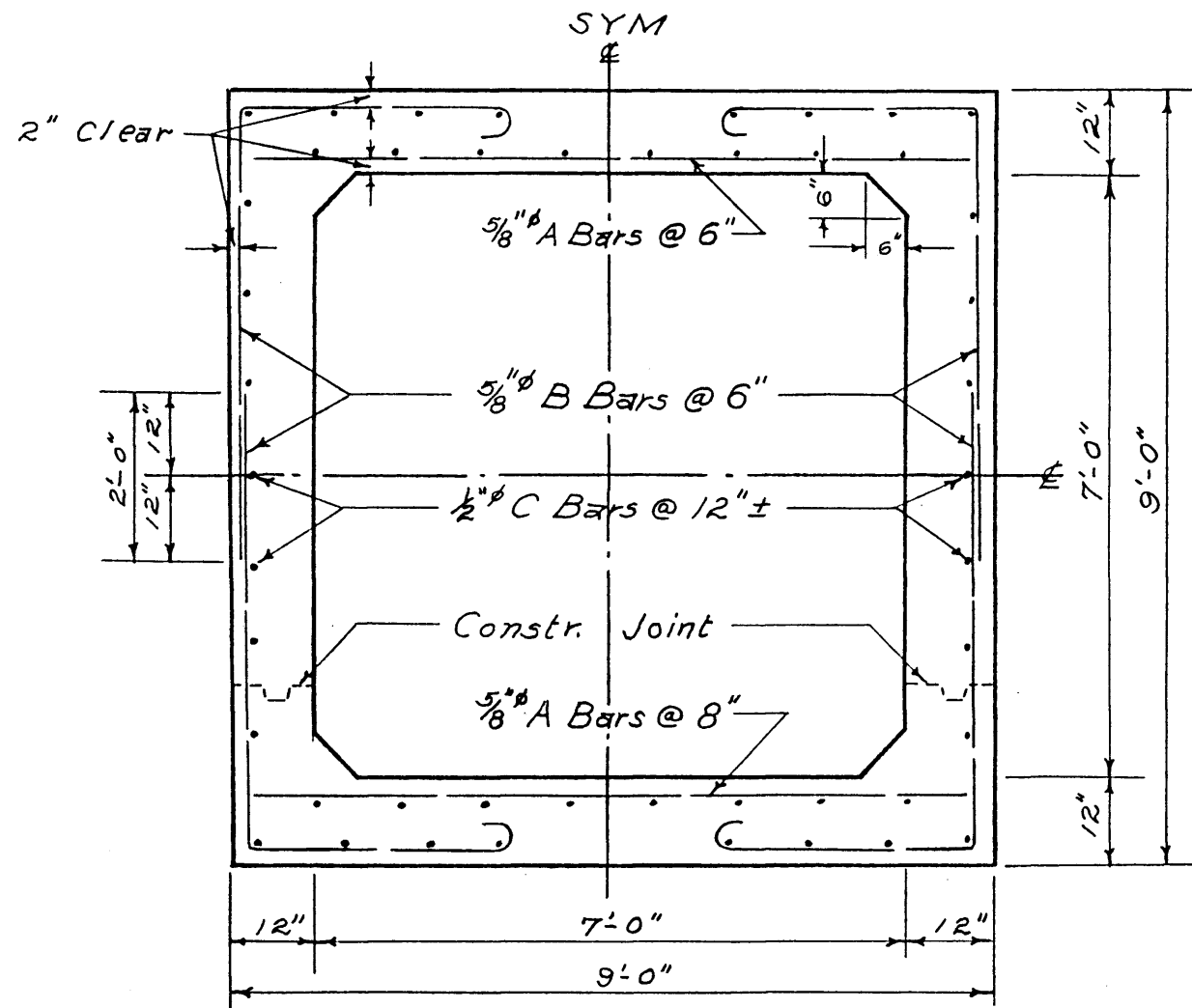


WING WALL ELEVATION
Scale: - 1/4" = 1'-0"



PLAN AT END
Not to Scale

BAR LIST						
LOCATION	MK.	NO.	TYPE	SIZE	"X"	LENGTH
Bottom & Top	A		c	5/8"	8'-6"	8'-6"
Bottom Sides & Top	B		a	5/8"		9'-2"
Longit.	C		c	1/2"		
Wing Wall	W1		c	5/8"	11'-6"	11'-6"
" "	W2		c	5/8"	7'-3"	7'-3"
" "	W3		c	5/8"	12'-3"	12'-3"
" "	W4		c	5/8"	8'-6"	8'-6"
" "	W5		c	5/8"	7'-9"	7'-9"
" "	W6		c	5/8"	7'-2"	7'-2"
" "	W7		c	5/8"	6'-6"	6'-6"
" "	W8		c	5/8"	5'-9"	5'-9"
" "	W9		c	5/8"	5'-2"	5'-2"
" "	W10		c	5/8"	4'-8"	4'-8"
Headwall	H		c	5/8"	8'-6"	8'-6"
Headwall Dowels			b	5/8"		2'-0"
Dowels			d	5/8"		6'-1"

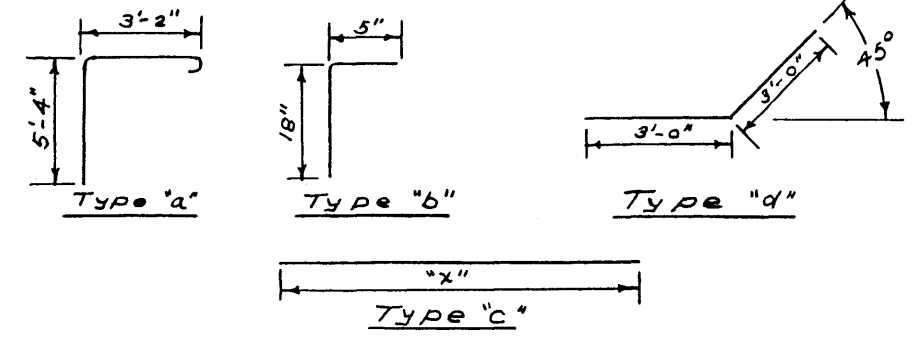


TYPICAL CROSS-SECTION
Showing Type & Posn. of Reinforcing Steel
Scale 1/2" = 1'-0"

NOTES

- 1- Concrete to have ultimate compressive strength = 3000 psi.
- 2- Reinforcing steel for approx. 70' cover, H-20 loading. For fills of different heights, bar spacing of A & B bars to be varied to suit.
- 3- Concrete Quantities = 32 cu. ft. per lin. ft. of structure.
- 4- Drainage to be provided as required.

BAR TYPES



PROVINCE of ALBERTA
DEPARTMENT of HIGHWAYS
BRIDGE BRANCH

STANDARD CONCRETE UNDERPASS

SCALE : As noted
 DETAILED: Rev. 5-9-51 J.E.F.
 CHECKED: E. J. S.

DWG. No.
S-526

A.T. & U. SEMI-ACTIVE RECORDS CENTRE
F078664

PO2104