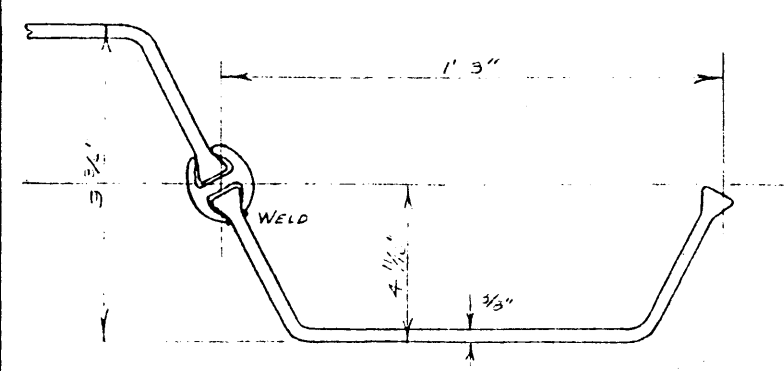
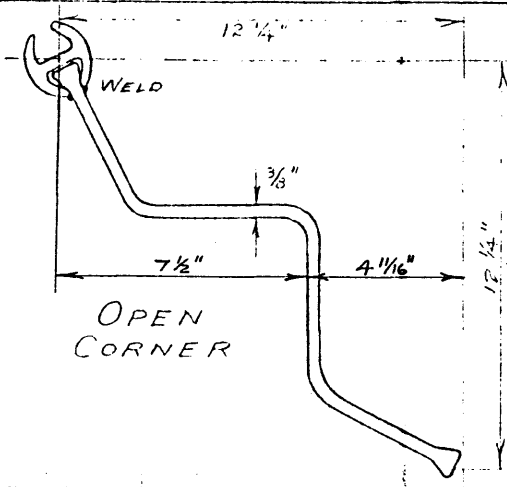


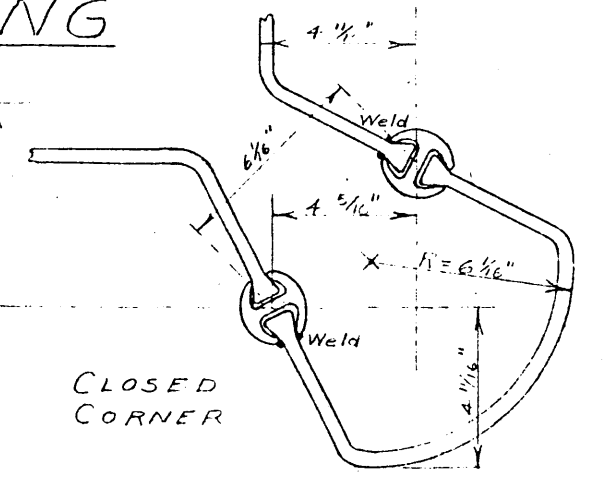
STEEL SHEET PILING



ALGOMA A-6

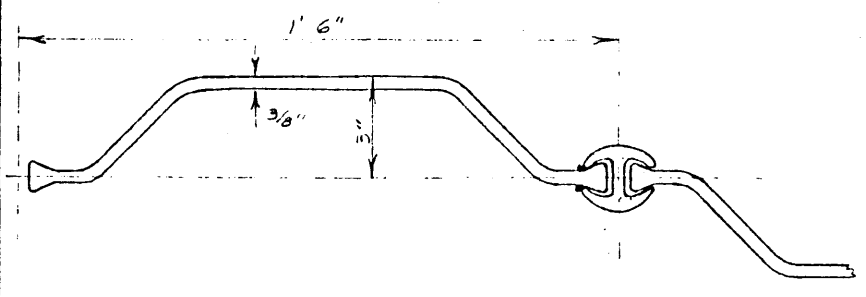


OPEN CORNER

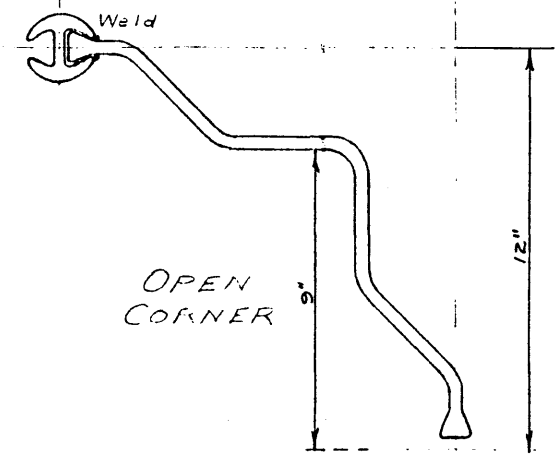


CLOSED CORNER

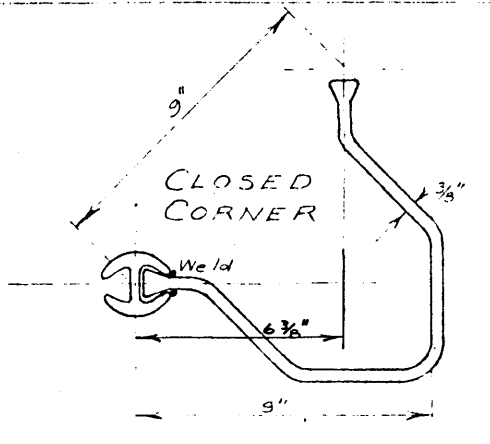
ALL SECTIONS 32.75 LBS. PER FT.



ALGOMA B-6

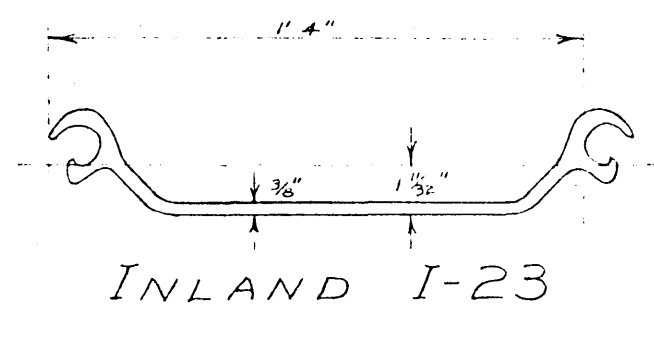


OPEN CORNER

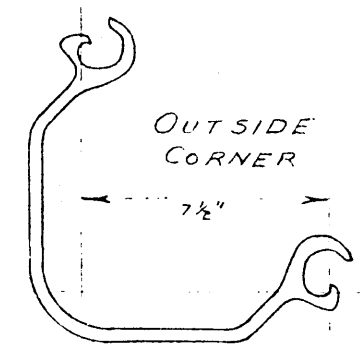


CLOSED CORNER

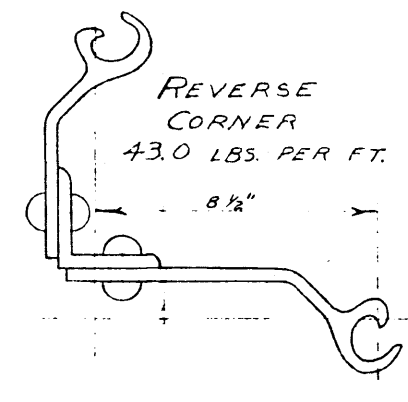
ALL SECTIONS 33.12 LBS. PER FT.



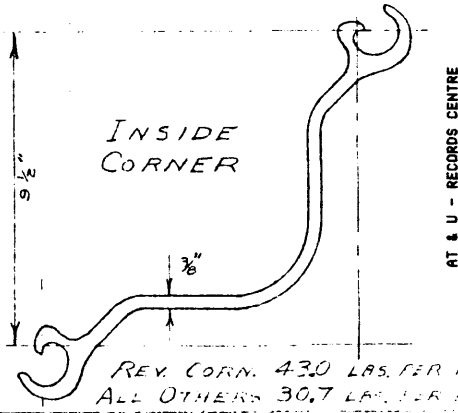
INLAND I-23



OUTSIDE CORNER

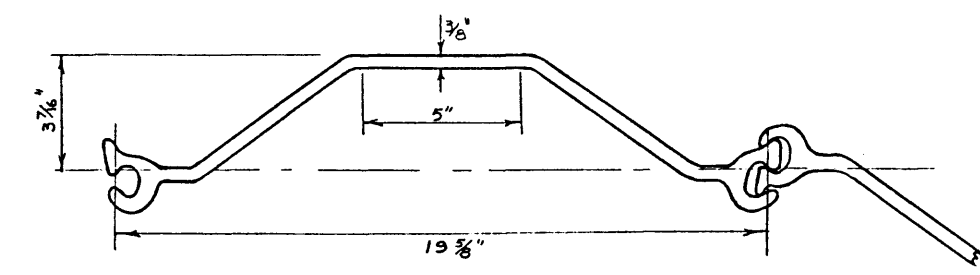


REVERSE CORNER
43.0 LBS. PER FT.

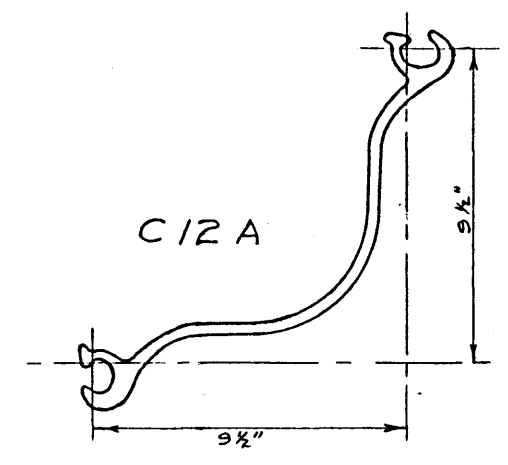


INSIDE CORNER

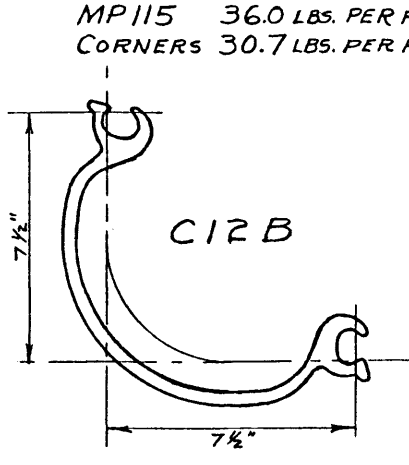
REV. CORN. 43.0 LBS. PER FT.
ALL OTHERS 30.7 LBS. PER FT.



CARNEGIE MPI15



C12A



C12B

MP115 36.0 LBS. PER FT.
CORNERS 30.7 LBS. PER FT.

DWG. 5529A

Revised Dec. 15/54 D.G.L.

AT & U - RECORDS CENTRE
F196644