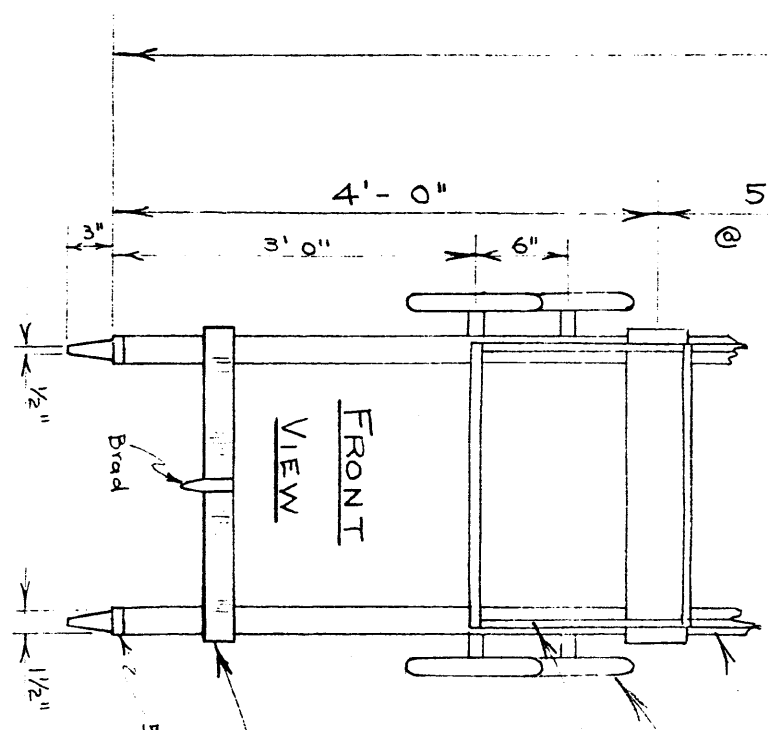
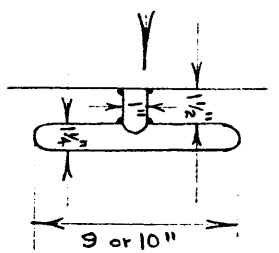


Yokes of 5/8" Steel Plate Corners bent or welded.

Standard Steel Channel

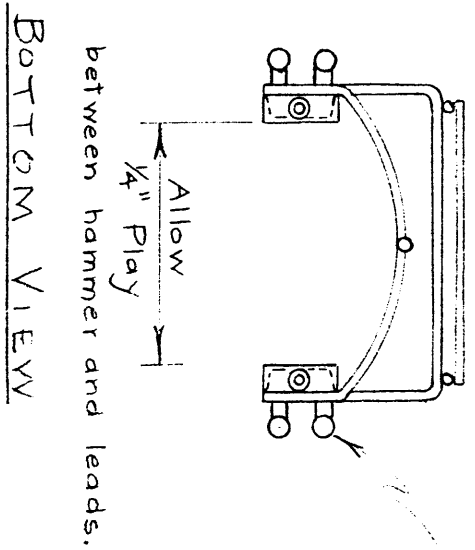
4 Rope Cleats

Approx. 18" Wide Ladder of 5/8"  $\phi$  Rods Rungs 14" Apart



1/2"x2" Steel Plate shaped to clear hammer by 1/2".

Rope Cleats



STANDARD STEEL  
PILE DRIVER LEADS

FEB. 19, 1953

SCALE 1" = 1'-0"



D.G.L. DWG. N<sup>o</sup> S 537