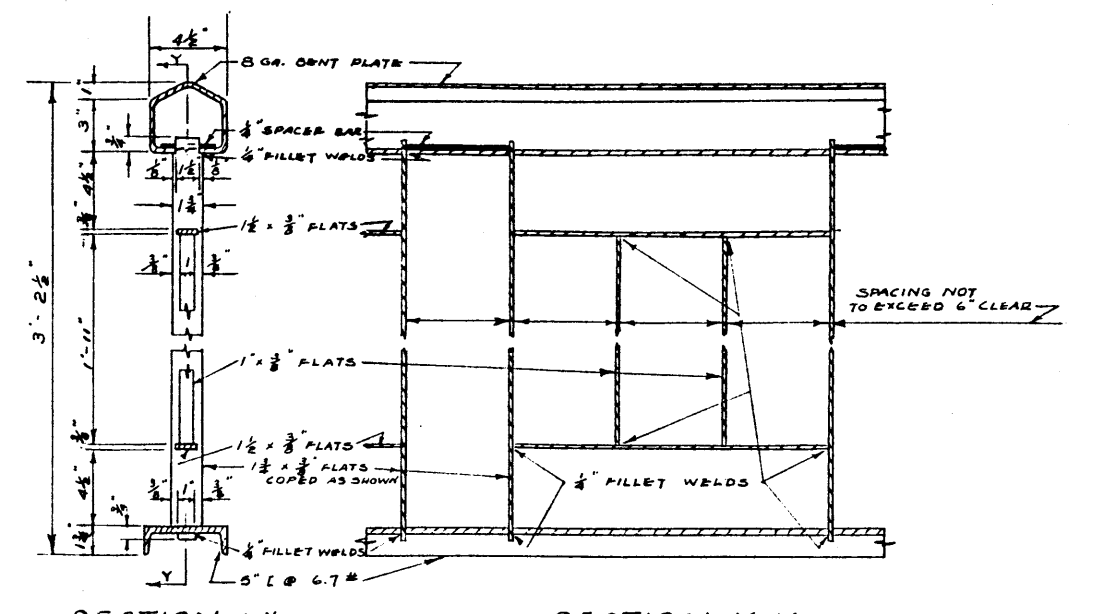
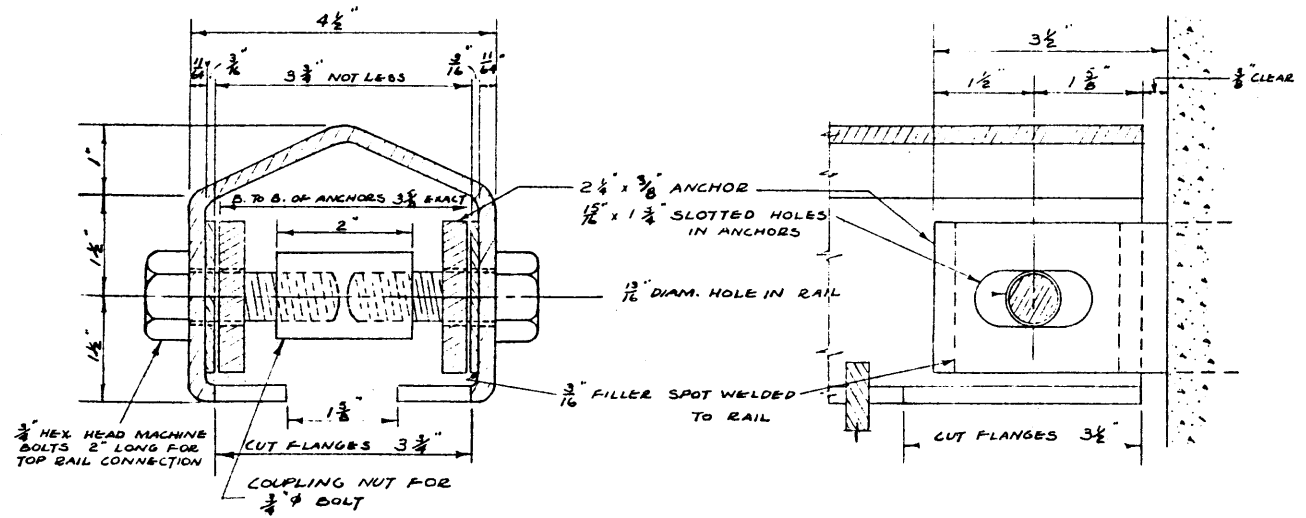


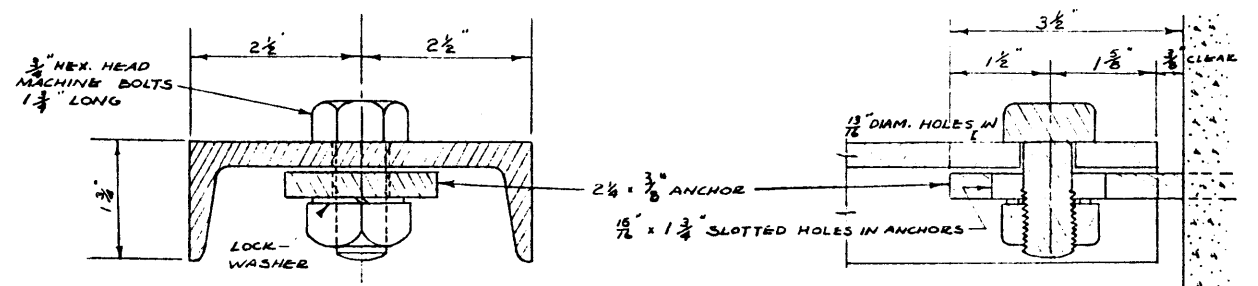
ELEVATION SCALE 1/2" = 1'-0"
 END ELEV. OF POST SHOWING DIMENSIONS FOR SETTING ANCHORS



SECTION X-X SCALE 1/2" = 1'-0" SECTION Y-Y



DETAIL OF TOP RAIL CONNECTION HALF SIZE



DETAIL OF BOTTOM RAIL CONNECTION HALF SIZE

BILL OF MATERIAL	
No	DETAILS (NTS)
	ANCHORS "R" 2 1/2" x 3/8"
	ANCHORS "S" 2 1/2" x 3/8"
	ANCHORS "T" 2 1/2" x 3/8"
	2" HEXAGON HEAD MACHINE BOLTS 1" LONG EACH WITH ONE SQUARE NUT AND ONE LOCK WASHER
	2" HEXAGON HEAD MACHINE BOLTS 2" LONG
	COUPLING NUTS FOR 2" BOLTS

NOTE: SLOTTED HOLES IN ANCHORS MUST BE FINISHED SMOOTH AND TRUE

APPROVED
 CHIEF BRIDGE ENGINEER

FILE No.
 NOTE :- ALL STEEL INCLUDING BOLT HEADS, NUTS AND ANCHORS TO BE GIVEN ONE SHOP COAT OF PAINT APPLIED BY BRUSH AS PER SPECIFICATIONS

STANDARD SIDEWALK
 TYPE HANDRAIL

DEPARTMENT OF HIGHWAYS
 BRIDGE BRANCH
 APRIL 29, 1953

CONTRACT NUMBER
 S 540