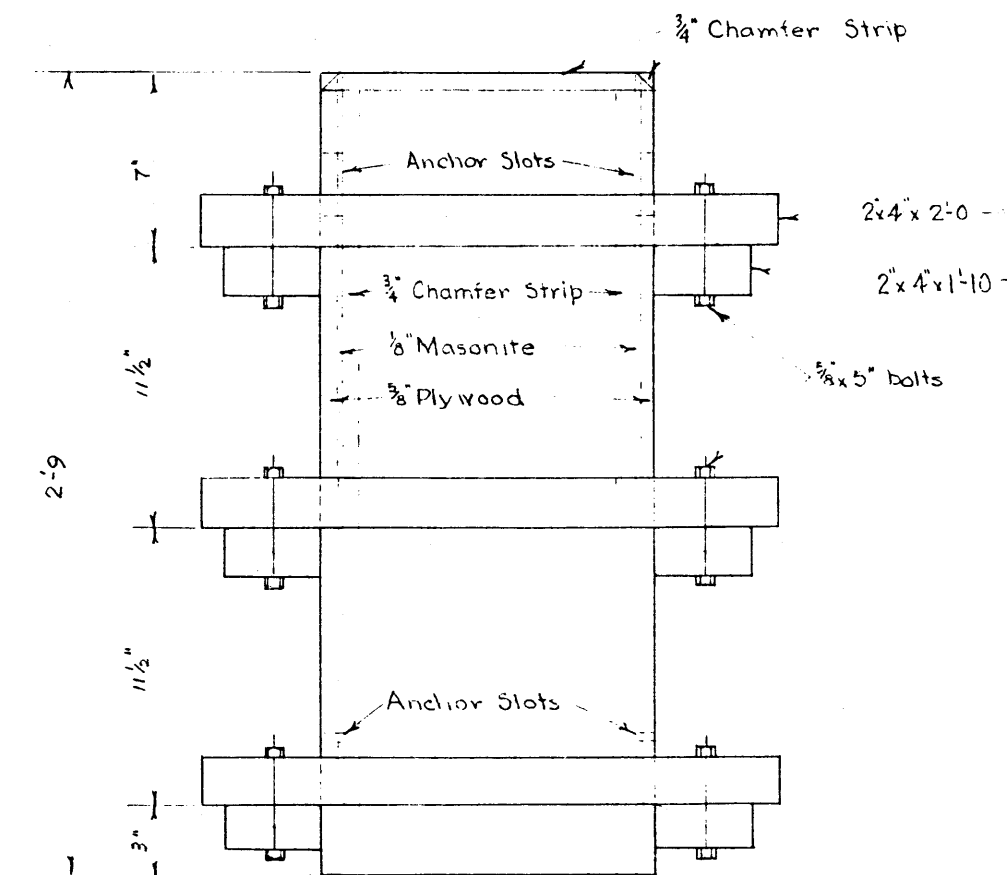
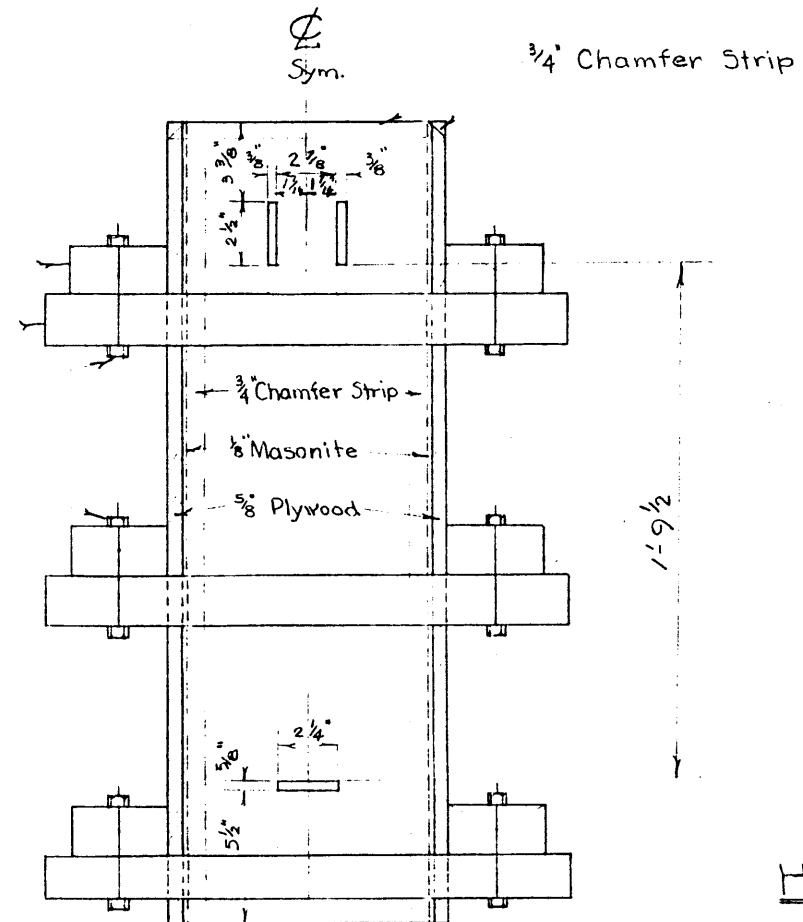


NOTE:
Chamfer strips to be birch

PLAN



SIDE ELEVATION



END ELEVATION

HANDRAIL POST FORMS

APRIL 13, 1954 - SCALE 2"=1'-0

DRG No S-551 DRAWN BY D.M.D.

AT & U - RECORDS CENTRE
F18668