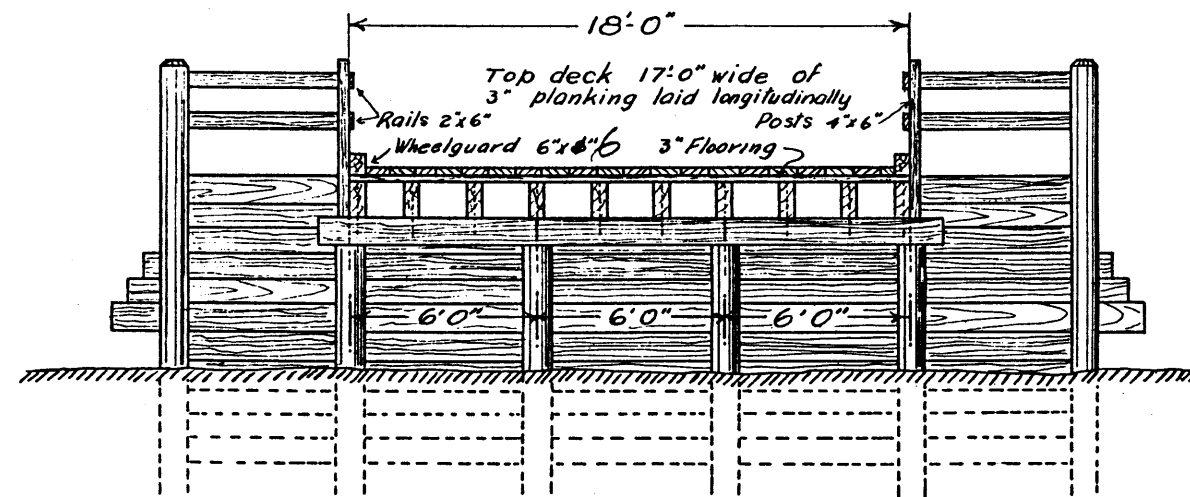
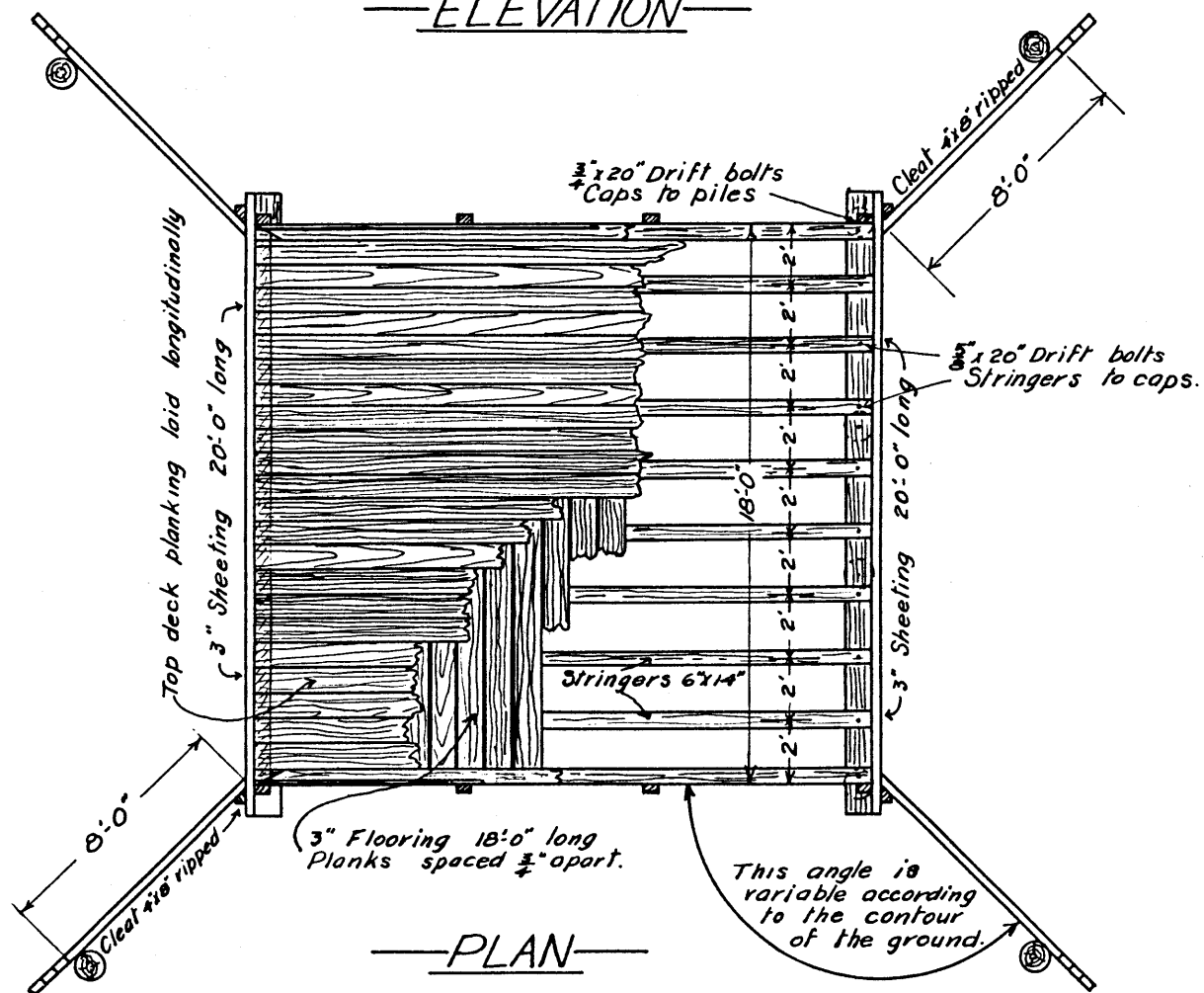


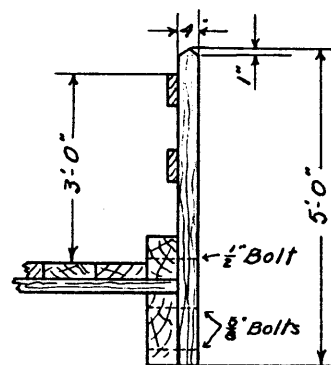
ELEVATION



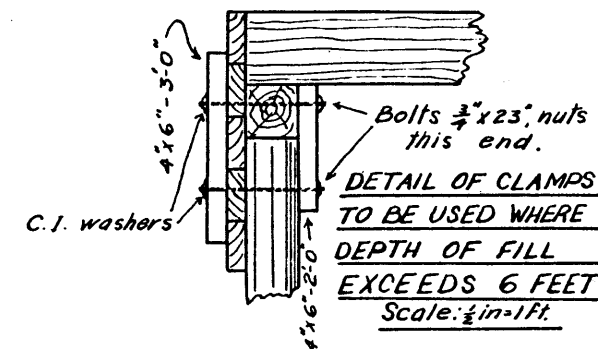
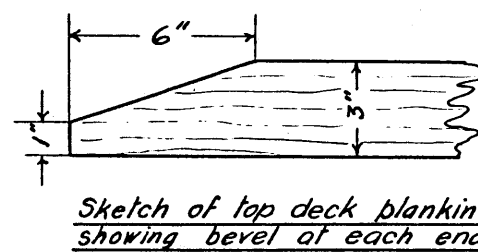
SECTION



PLAN



DETAIL OF POSTS
Scale: 1/4 in. = 1 ft.



GOVERNMENT OF THE PROVINCE OF ALBERTA
DEPARTMENT OF PUBLIC WORKS
STANDARD 20 FT. PILE BENT
Scale 1/4 in. = 1 ft.

18 FT. ROADWAY

20th. May 1929

5-553 36