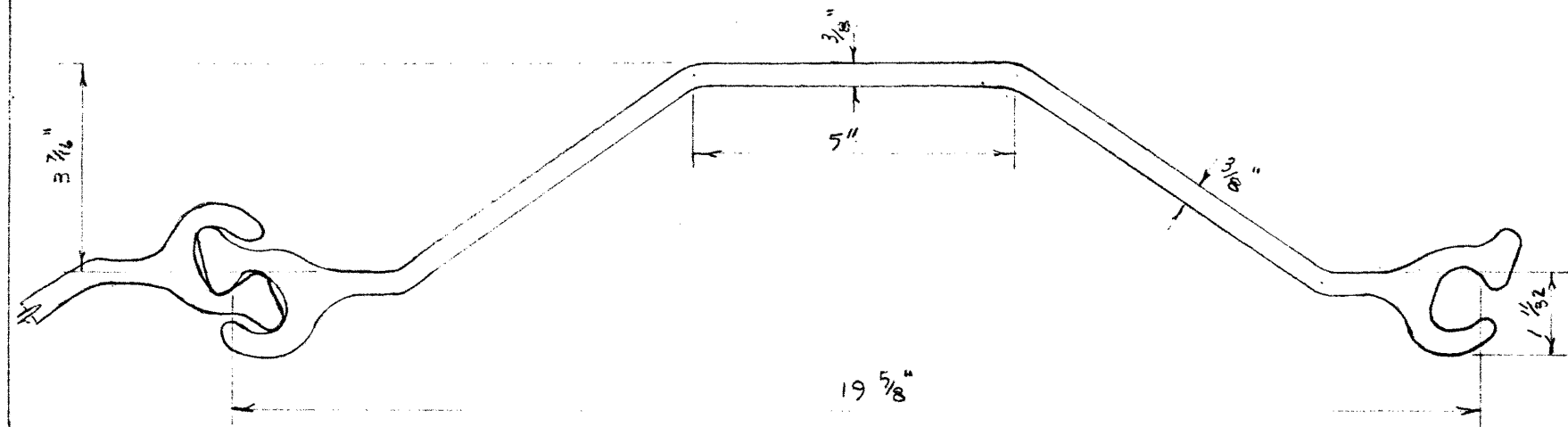


WEIGHT PER FOOT OF PILE = 36.0 LBS.
WEIGHT PER SQUARE FOOT OF WALL = 22.0 LBS.



SHEET PILING MP115

SCALE $\frac{3}{8}$ " = 1"

APRIL 5, 1954

DRAWN BY DMN.

5-556

AT & U - RECORDS CENTRE
F199672