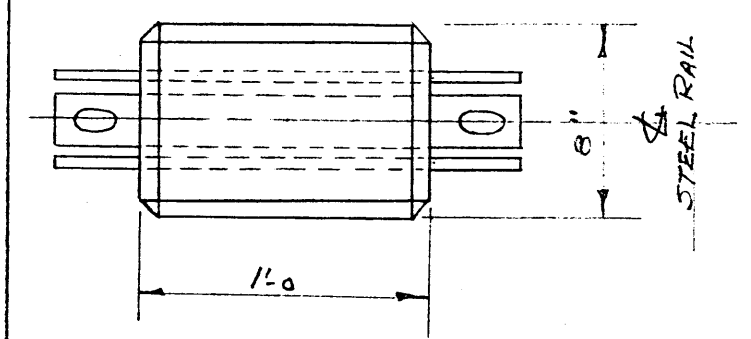


SIDE ELEVATION

END ELEVATION



PLAN.

HIGHWAY TYPE HANDRAIL POST  
SCALE -  $1\frac{1}{2}":1'-0"$  MAY 5, 1954

DRG. N° S-563