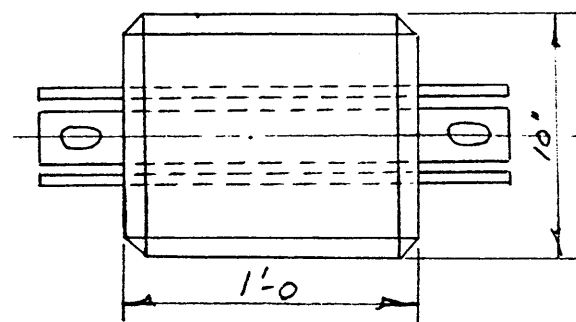


SIDE ELEVATION

END ELEVATION



PLAN

DRG. N° S-564

SIDEWALK TYPE HANDRAIL POST

SCALE - 1/2" = 1'-0"

MAY 5, 1954

S-564

AT & U - RECORDS CENTRE
 F198878