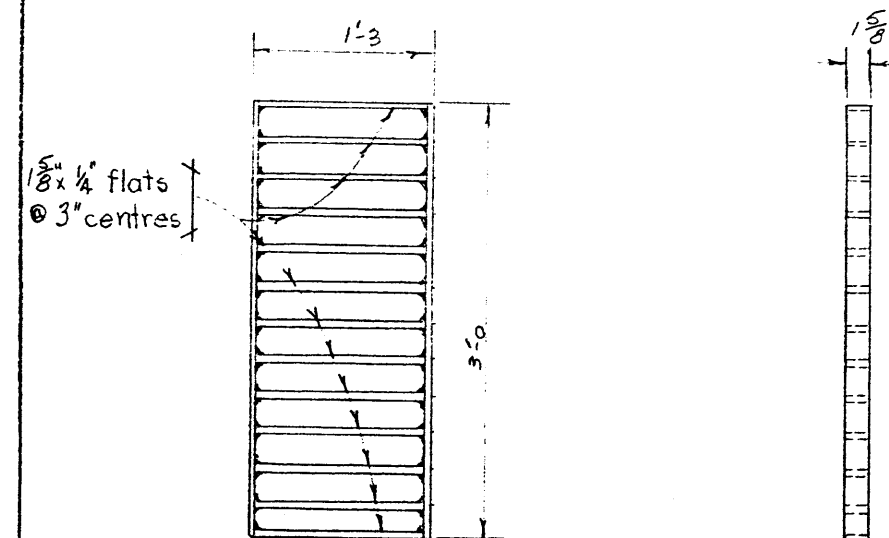


No welding on inside of frames

CATCH BASIN FRAME



No welding on outside of grates.

CATCH BASIN GRATE

CATCH BASIN FRAME & GRATE

SCALE 3/4" = 1'-0"      APRIL 28, 1954

DRG. NO S-565