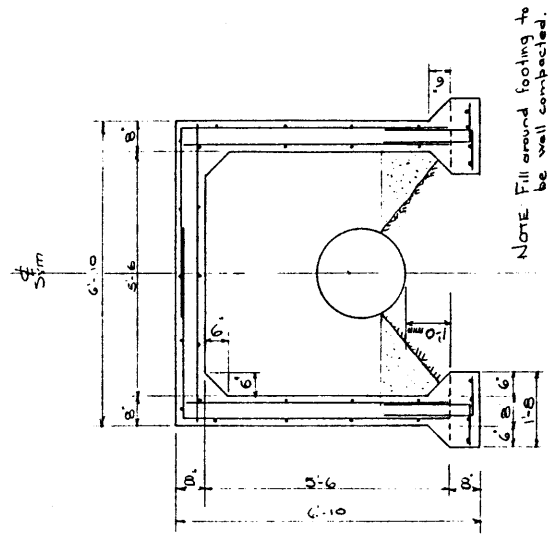
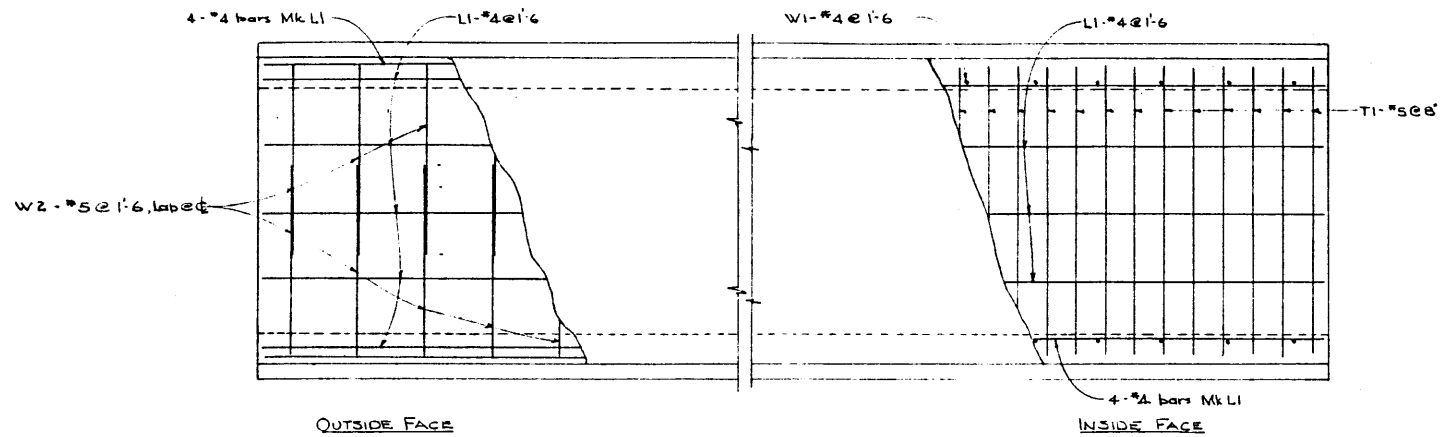
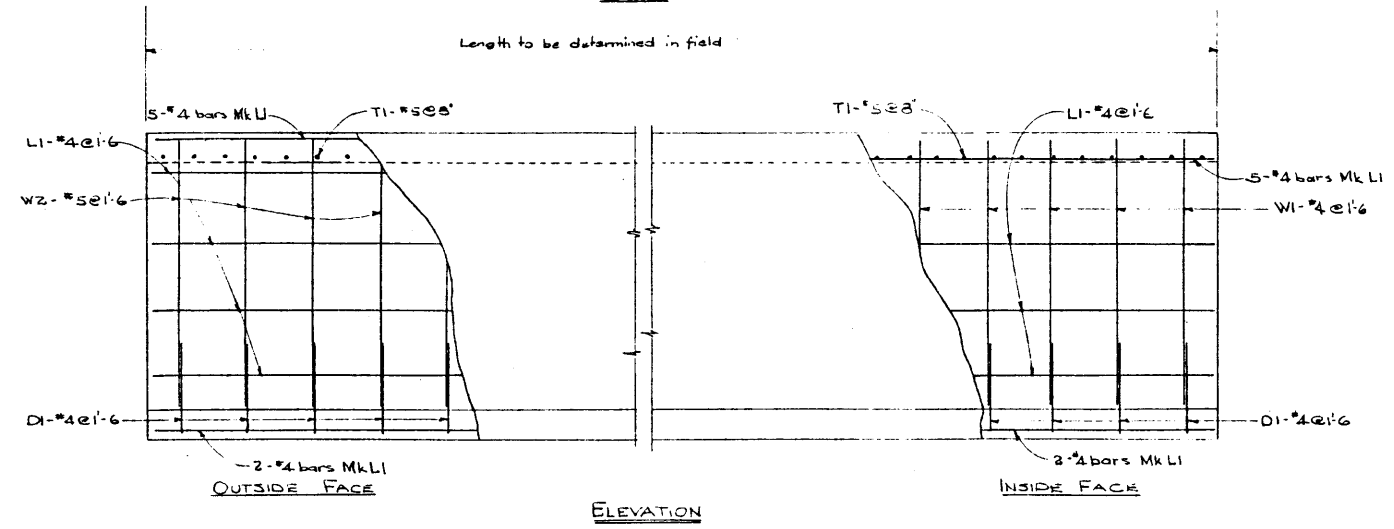
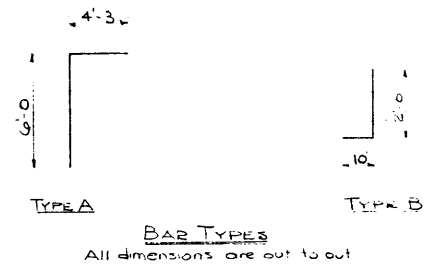


DESIGNED BY: _____
 DATE: SEPT 8 1934
 DETAILED BY: RLE
 CHECKED BY: _____



BAR LIST

Mk	NO	SIZE	TYPE	LENGTH	WEIGHT
LI	4	St			
W1	4	St		6'-0"	
W2	5	A		10'-4"	
TI	5	St		6'-6"	
DI	4	B		2'-10"	



- NOTES
- Chamfer or fillet all corners.
 - Concrete to be 3000 psi at 28 days.
 - Maximum fill over casing to be 12 ft.
 - All steel reinforcing to have 2" cover.

DETAILS OF PIPE CASING
 FOR
 HIGHWAY CROSSINGS

GOVERNMENT OF THE PROVINCE OF ALBERTA
 DEPARTMENT OF HIGHWAYS
 BRIDGE BRANCH, EDMONTON

FILE NO. _____ HWY. NO. _____ DWG. NO. S-576
 LOCATION _____ SCALE 1/2" = 1'-0"
 SHEET _____ OF _____

NO.	DATE	DESCRIPTION	BY

ALBERTA RECORDS SERVICE