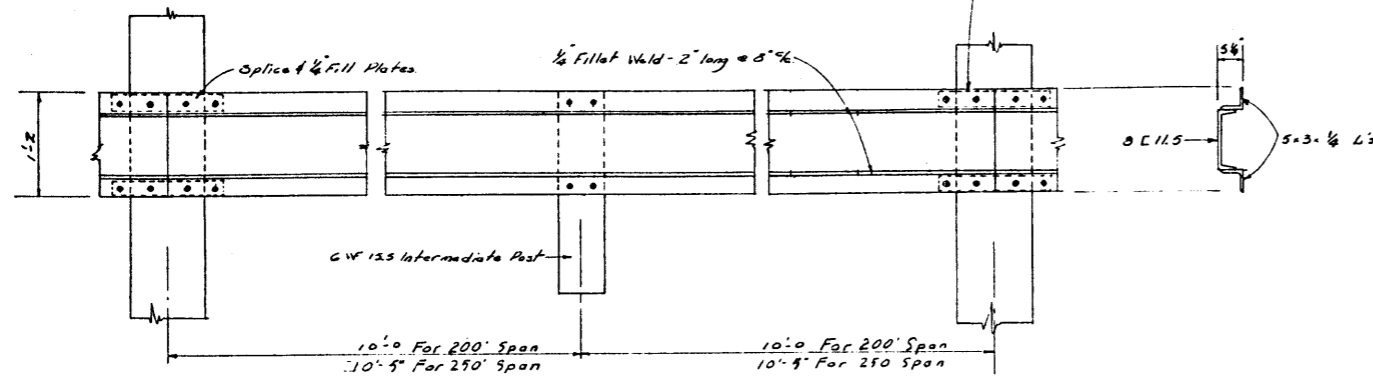
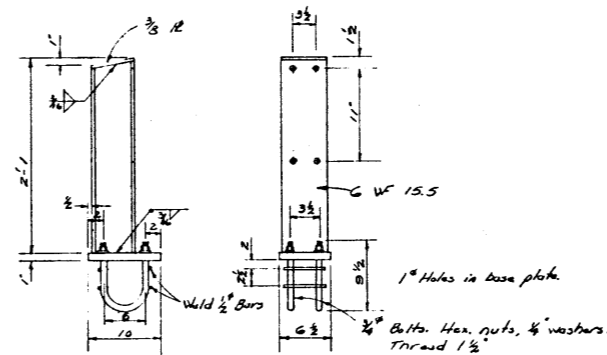


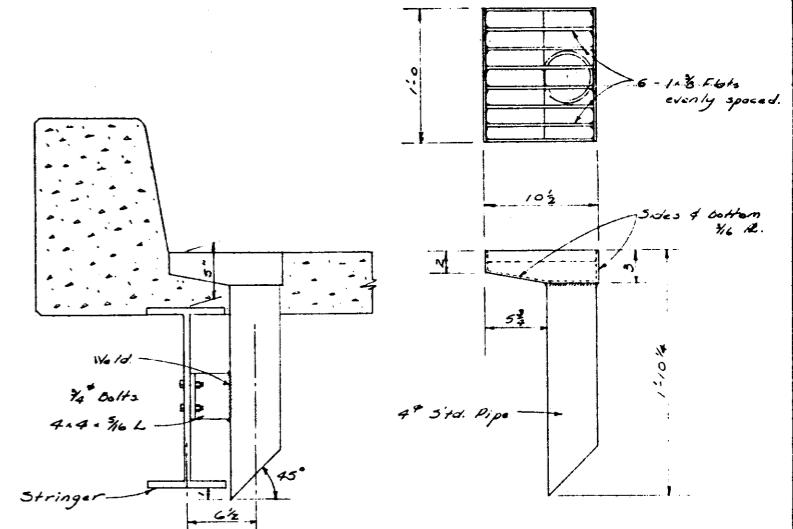
$\frac{3}{8}$ " Holes to be shop punched in rail, rail splices and intermediate posts. Holes in truss verticals to be field drilled after concrete deck is poured and guard rail aligned.



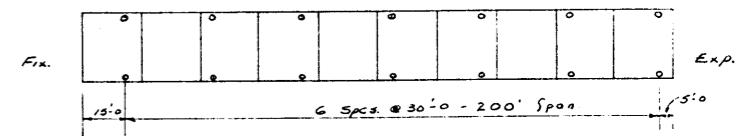
GUARD RAIL DETAIL



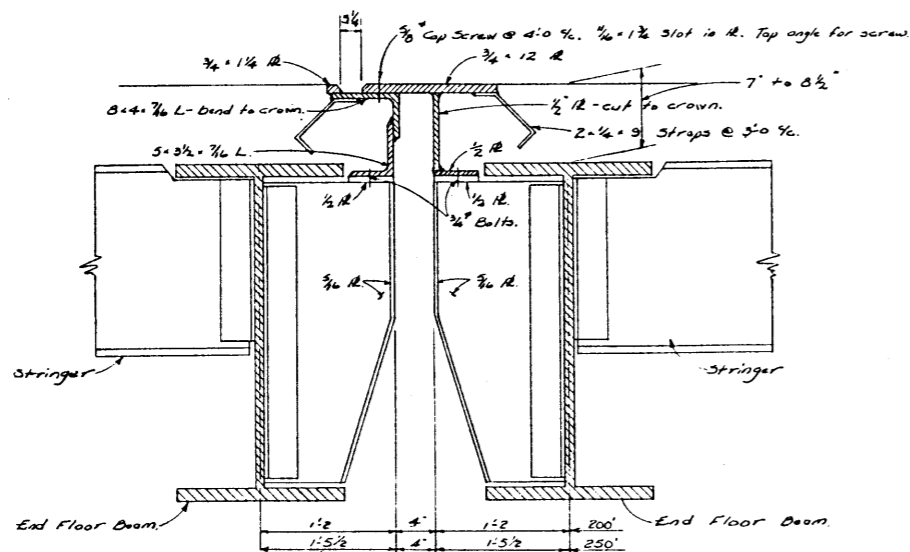
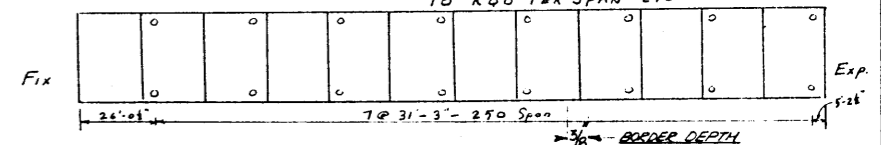
INTERMEDIATE POST
20 R'00 PER SPAN - 200' Span
24 R'00 PER SPAN - 250' Span



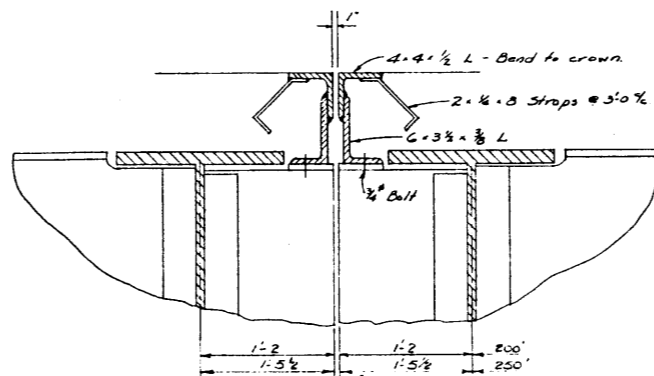
DRAIN DETAIL
14 R'00 PER SPAN - 200'
Shop Paint: One coat red lead inside & out.



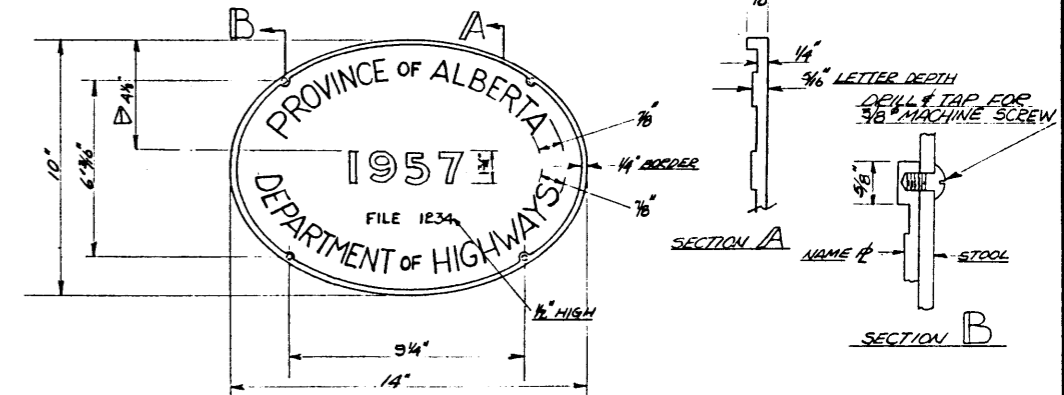
DRAIN PLACEMENT
16 R'00 PER SPAN - 250'



END FLOOR BEAM BRACKETS & EXPANSION DETAIL

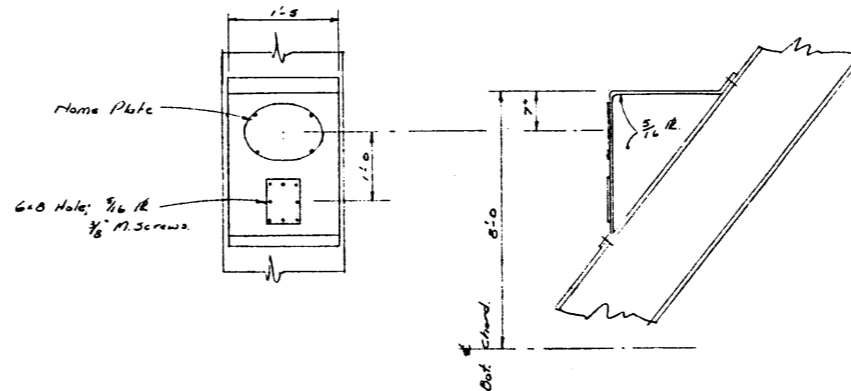


FIXED END DETAIL



DETAIL - NAME PLATE

NO SCALE
PLATE TO BE CAST BRONZE. BUFF FACE OF BORDERS & LETTERS. FILE NUMBER TO APPLY TO BRIDGE CONCERNED.



END POST STOOL

Stools to be placed on L.H. end posts only.

DESIGNED BY: F.S.T.
DATE: 2-3-56
CHECKED BY: F.S.T.
DATE: 2-3-56

NO.	DATE	DESCRIPTION	BY
1	JAN 9/56	SIMENSIONS ON SUBPOST	H.A.D.
2	APR 12/55	1/2" diameter steel bolts	H.A.D.
3	JUL 7 '55	Name Plate revised	W.F.

STANDARD THROUGH TRUSS SPAN
MISCELLANEOUS DETAILS

GOVERNMENT OF THE PROVINCE OF ALBERTA
DEPARTMENT OF HIGHWAYS
BRIDGE BRANCH, EDMONTON

FILE NO. _____ HWY. NO. _____ DWG. NO. _____
LOCATION _____ SCALE _____
STREAM _____ SHEET 2 OF 2 5-579