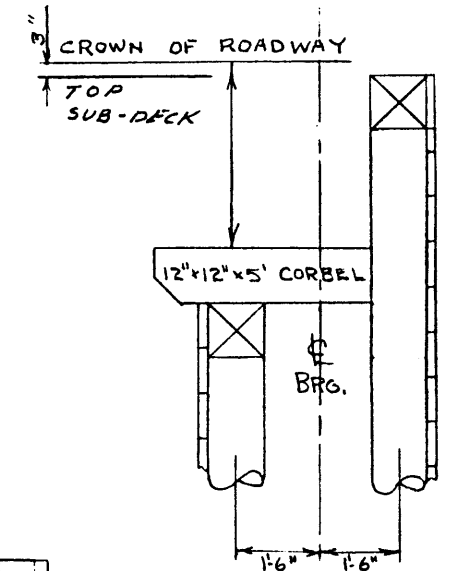
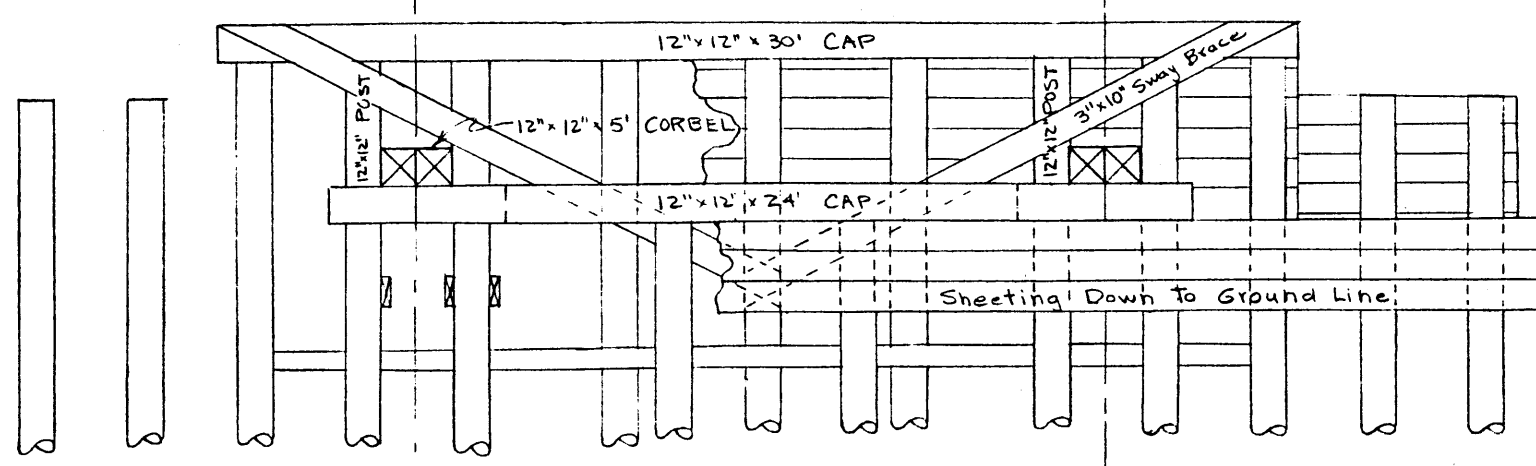


PILE PLAN



SECTION A-A
SCALE 3/8" = 1'-0"



ELEVATION
SCALE 1/4" = 1'-0"

ABUTMENT PLAN

