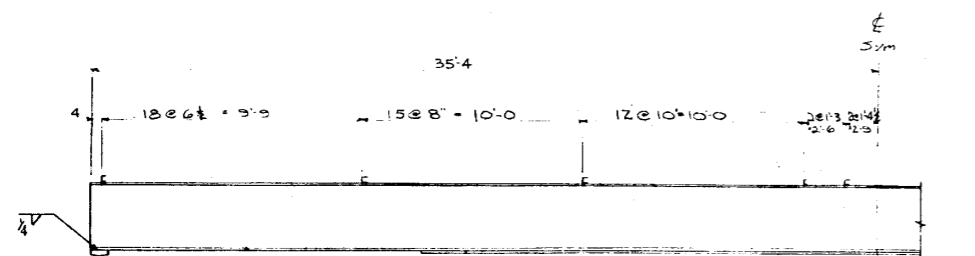
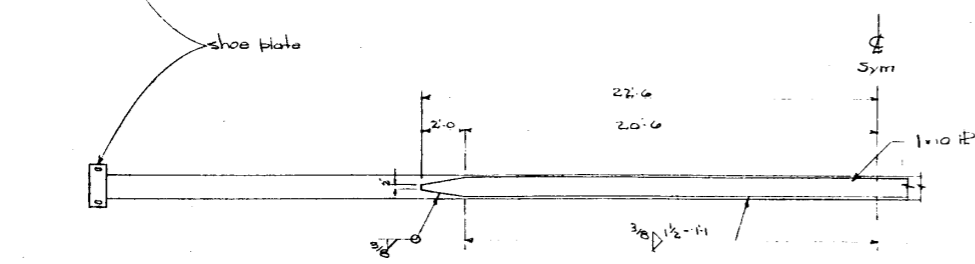


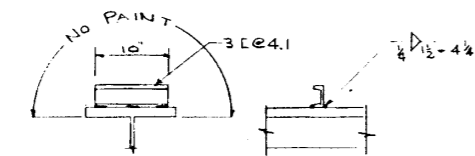
QUARTERED PLAN
Scale: 1/4" = 1'-0"



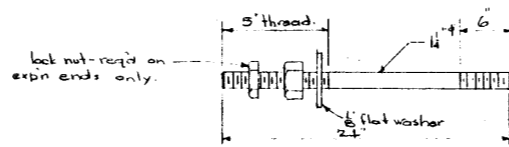
GIRDER ELEVATION



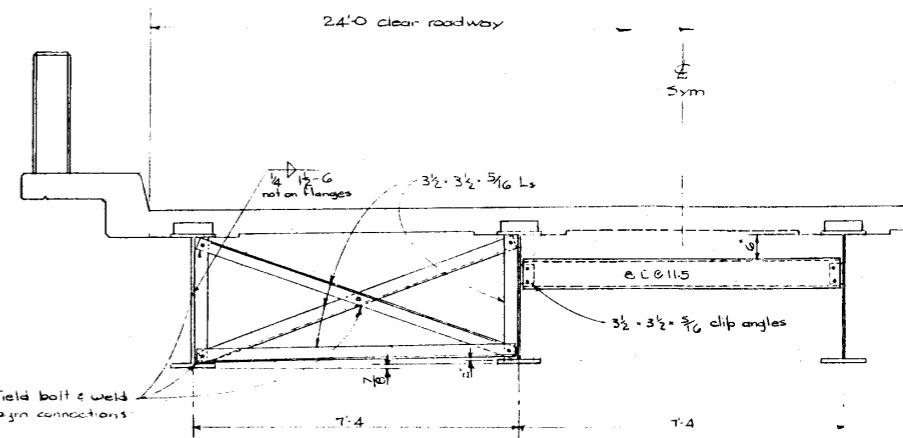
COVER PLATE DETAIL



SHEAR CONNECTOR DETAIL

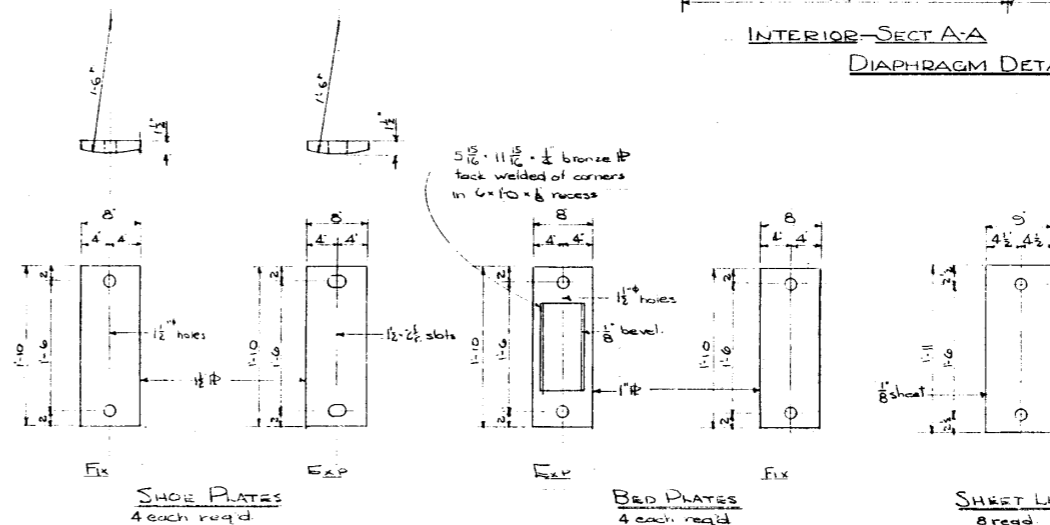


ANCHOR BOLT
16 req'd.



NOTE: Field bolt & weld of diaphragm connections.

INTERIOR SECT A-A
END SECT B-B
DIAPHRAGM DETAILS



SHOE PLATES
4 each req'd.

BED PLATES
4 each req'd.

SHEET LEAD
8 req'd.

Design:
• AASHO 1953 Specs
• Live Load H20-616-44
• 25

SUPERSEDED

SHOP PAINT: 1 coat red lead, except surfaces in contact with concrete.

STANDARD 24' ROW BY 7'2" SPAN
COMPOSITE GIRDER DETAILS



GOVERNMENT OF THE PROVINCE OF ALBERTA
DEPARTMENT OF HIGHWAYS
BRIDGE BRANCH, EDMONTON

NO.	DATE	DESCRIPTION	BY
1	Nov 25/55	Cover Plate Thickness	R.L.F.
REVISIONS			

FILE NO. _____ HYW. NO. _____ DWG. No. 5-586
LOCATION _____ SCALE _____
STREAM _____ SHEET 3 OF 6

DESIGNED BY _____ DATE _____ 1955
DETAILED BY R.L.F. DATE FEB 11 1955
CHECKED BY _____ DATE _____ 1955

ALTA U. RECORDS SERVICE
718791