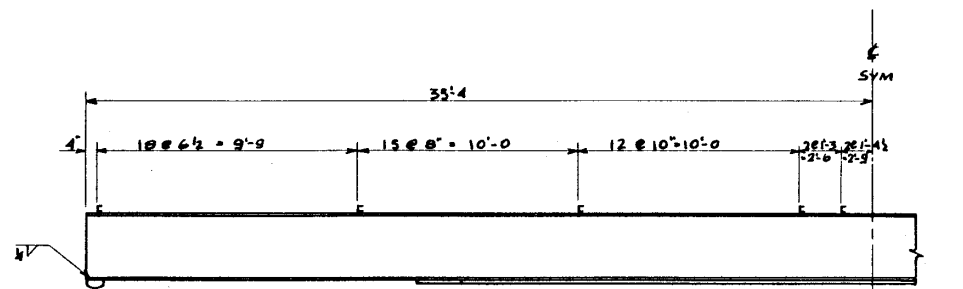
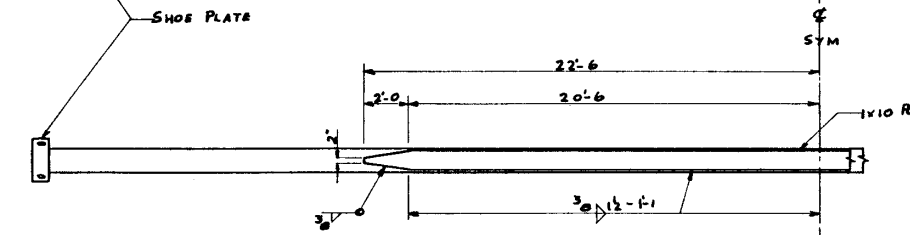


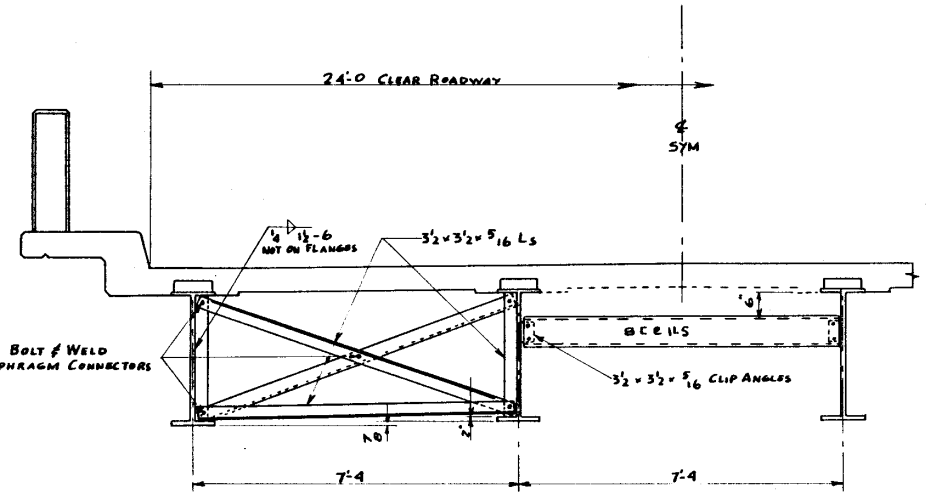
QUARTER PLAN
SCALE 1/4"=1'-0"



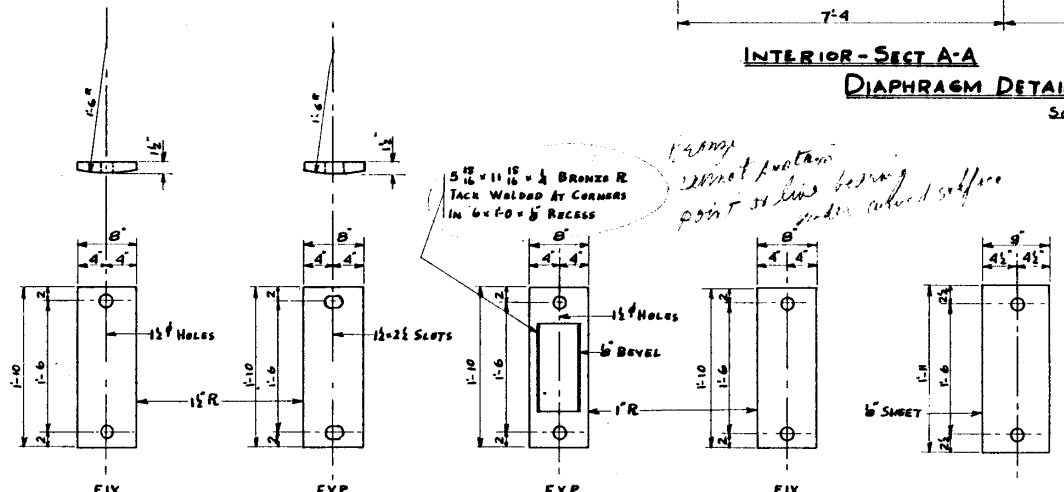
GIRDER ELEVATION
SCALE 1/4"=1'-0"



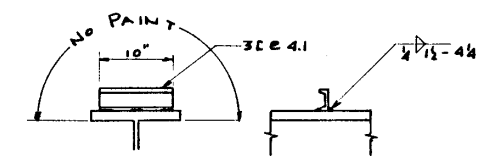
COVER PLATE DETAIL
SCALE 1/4"=1'-0"



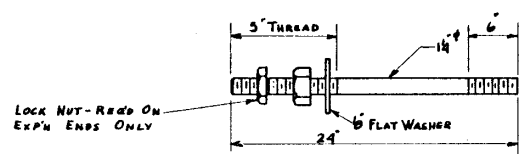
DIAPHRAGM DETAILS
SCALE 1/2"=1'-0"



SHOE PLATES 1 EACH REQ'D
BED PLATES 1 EACH REQ'D
SHEET LEAD 6 REQ'D
SCALE 1"=1'-0"



SHEAR CONNECTOR DETAIL



ANCHOR BOLT
16 REQ'D

SHOP PAINT 1 COAT RED LEAD, EXCEPT SURFACES IN CONTACT WITH CONCRETE

Revise drawings - see book 24 25 - P 9/11

DESIGN:
- AASHO 1953 SPECS.
- LIVE LOAD H20-S16-44
- 25 FT WEARING SURFACE

WEIGHT STRUCTURAL STEEL - 56,742*
SUPERSEDED

STANDARD 24' RDWY - 70' SPAN
COMPOSITE GIRDER DETAILS

GOVERNMENT OF THE PROVINCE OF ALBERTA
DEPARTMENT OF HIGHWAYS
BRIDGE BRANCH, EDMONTON

FILE NO. _____ HWY. NO. _____ DWG. NO. **5-586**
LOCATION _____ SCALE _____ SHEET **3** OF **6**

NO.	DATE	DESCRIPTION	BY
4			
3			
2	OCT 3/55	RETRACED	F.M.
1	NOV 25/55	COVER PLATE THICKNESS	R.L.E.
REVISIONS			

DESIGNED BY _____ DATE _____
 CHECKED BY _____ DATE _____
 R.L.E. 11/25