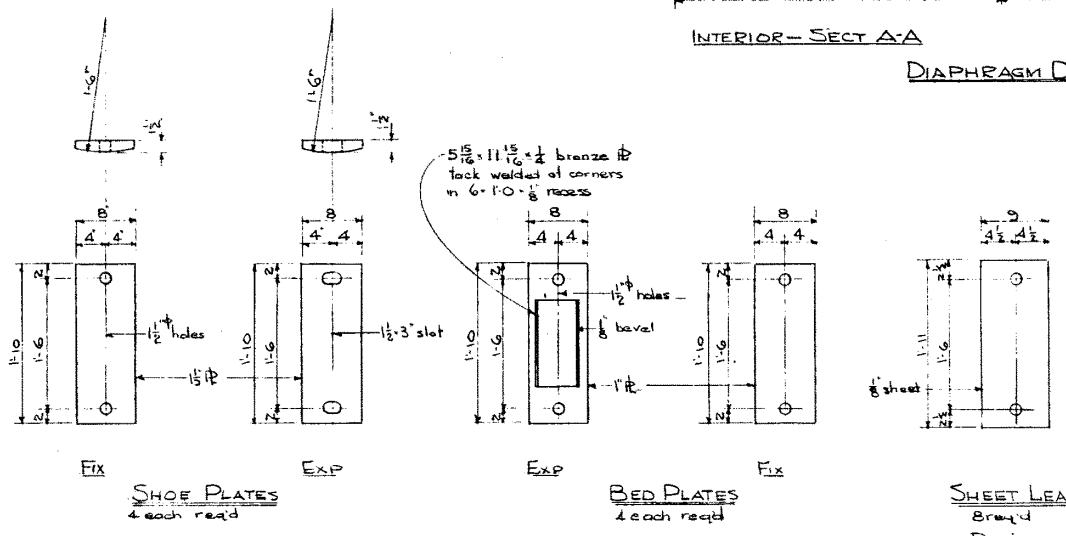
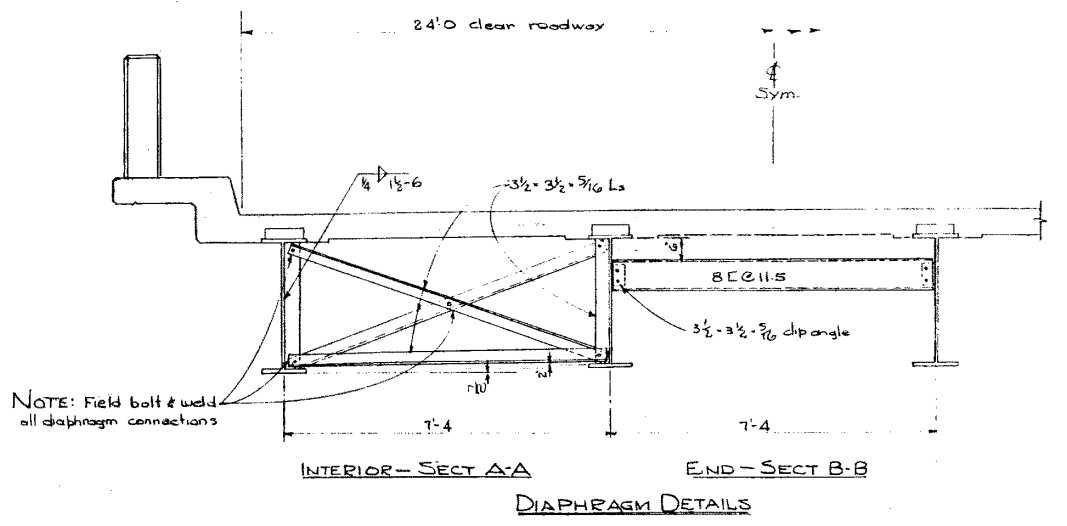
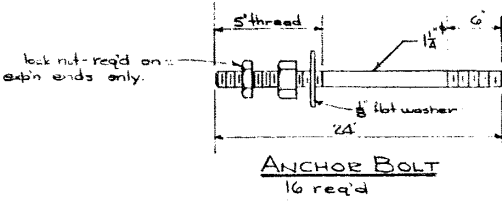
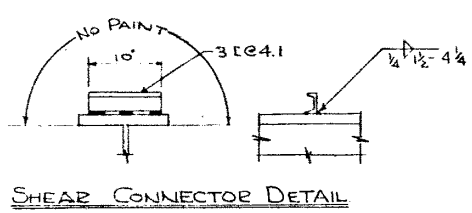
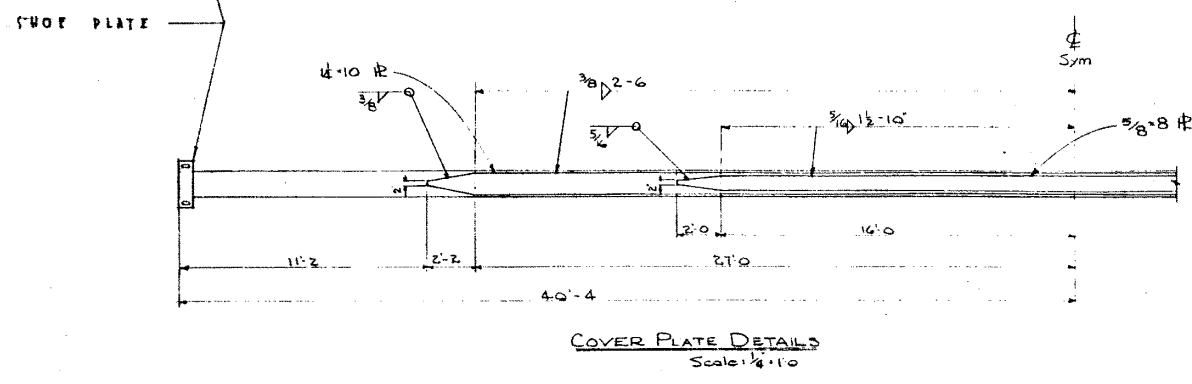
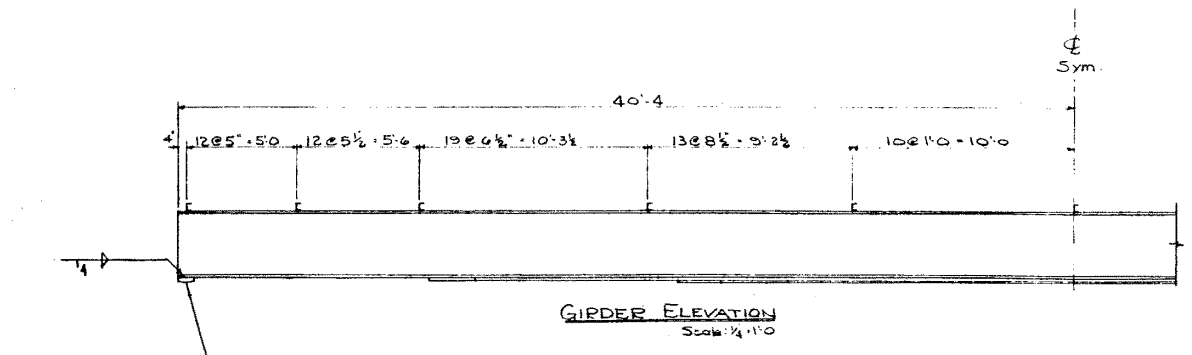
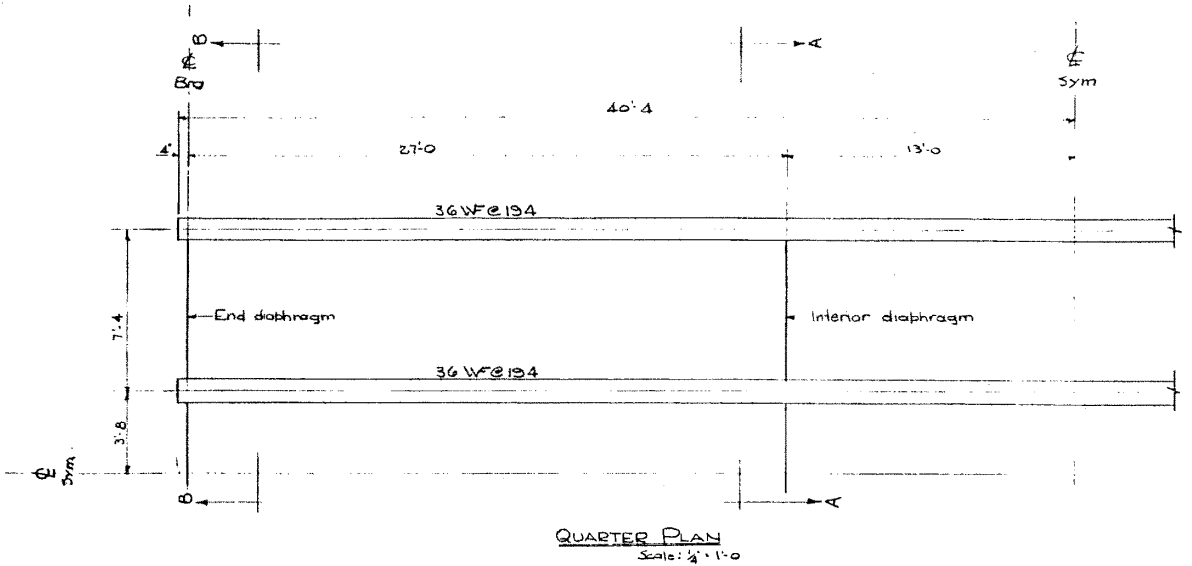


DESIGNED BY: RLF DATE: FEB 18 1955  
 CHECKED BY: DATE: \_\_\_\_\_



SHOP PAINT: 1 coat red lead except surfaces in contact with concrete.

REVISED  
 (SEE DWG S-635)

NO.	DATE	DESCRIPTION	BY
1	24/4/50	Drawn & let to girders	RLF

**SHEET LEAD**  
 Braced Design:  
 • AASHO 1953 Specs  
 • Live Load H-20-S16-44  
 • 25 psf wearing surface.

**SUPERSEDED**

**STANDARD 24' RDWY - 80' SPAN  
 COMPOSITE GIRDER DETAILS**

GOVERNMENT OF THE PROVINCE OF ALBERTA  
 DEPARTMENT OF HIGHWAYS  
 BRIDGE BRANCH, EDMONTON

FILE NO. \_\_\_\_\_ HYW. NO. \_\_\_\_\_ DWG. NO. **S-587**  
 LOCATION \_\_\_\_\_ SCALE \_\_\_\_\_ SHEET \_\_\_\_\_ OF \_\_\_\_\_

ALBERTA RECORDS CENTRE  
 T187924