

BAR LIST - END BEAM - EACH END

MARK	SIZE	TYPE	NO	LENGTH	WEIGHT
B3	Ø	STR	6	26'-6	425
B4	Ø	STR	18	7'-0	336
B5	4	E	42	2'-0	56
TOTAL					817

BAR LIST - 60'-0 SPAN

MARK	SIZE	TYPE	NO	LENGTH	WEIGHT
S ₁	5	A	53	27'-6	1520
S ₂	5	STR	106	27'-0	2985
S ₃	4	STR	153	21'-6	2197
P ₁	5	C	48	4'-6	225
P ₂	4	D	24	2'-10	45
C ₁	5	B	122	5'-Ø	722
TOTAL					7,694

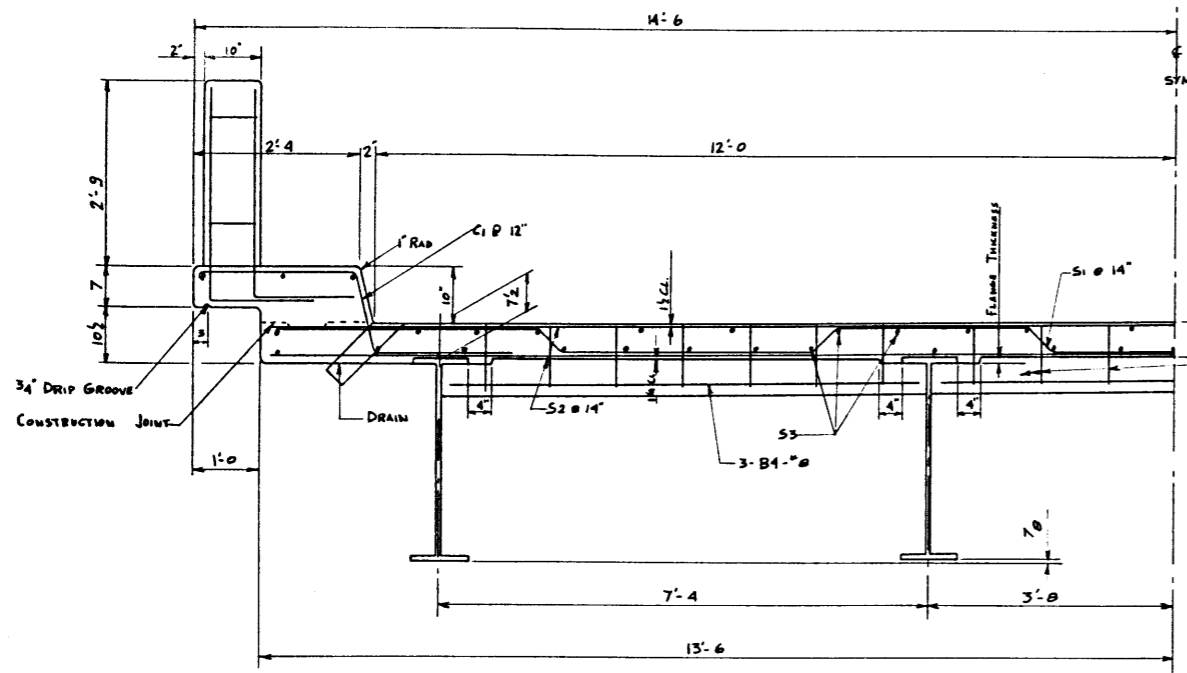
BAR LIST - 70'-0 SPAN

MARK	SIZE	TYPE	NO	LENGTH	WEIGHT
S ₁	5	A	61	27'-6	1750
S ₂	5	STR	122	27'-0	3436
S ₃	4	STR	183	25'-0	2555
P ₁	5	C	86	4'-6	263
P ₂	4	D	28	2'-10	53
C ₁	5	B	142	5'-Ø	840
TOTAL					8,897

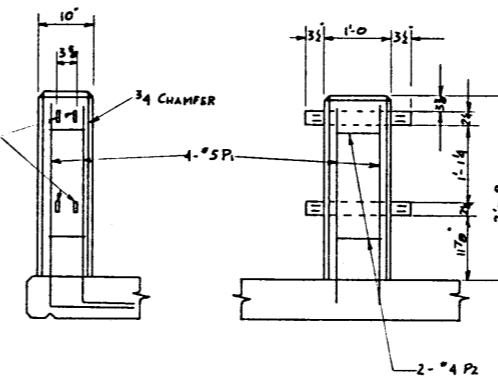
BAR LIST - 80'-0 SPAN

MARK	SIZE	TYPE	NO	LENGTH	WEIGHT
S ₁	5	A	70	27'-6	2,008
S ₂	5	STR	140	27'-0	3,943
S ₃	4	STR	204	21'-6	2,930
P ₁	5	C	64	4'-6	300
P ₂	4	D	32	2'-10	60
C ₁	5	B	162	5'-Ø	958
TOTAL					10,199

CONCRETE CLASS B - FOR 70' SPAN - 37.6 CY/SP

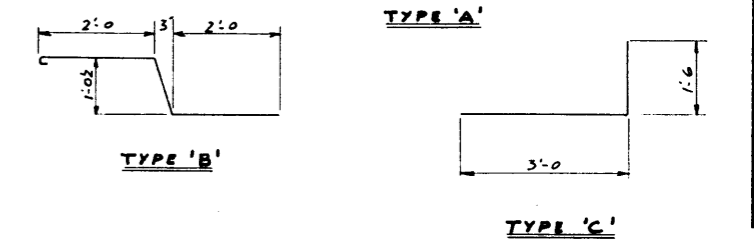
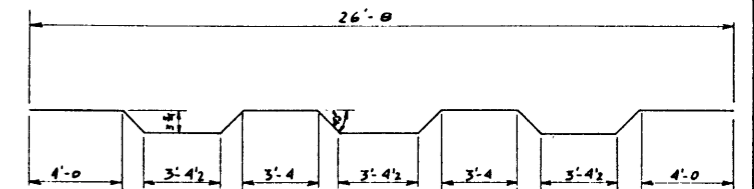


HANDRAIL DETAILS
 SCALE 1/4"=1'-0"

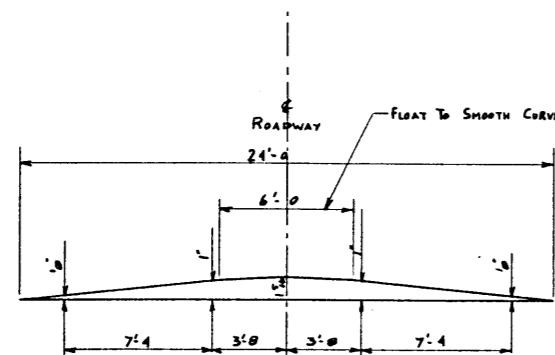


HANDRAIL POST DETAILS
 SCALE 1/4"=1'-0"

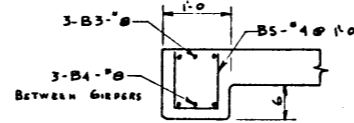
HALF SECTION
 SCALE 1/4"=1'-0"



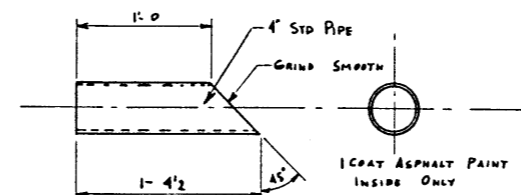
ALL BAR DIMENSIONS OUT TO OUT.



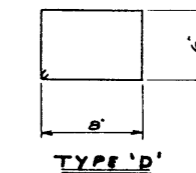
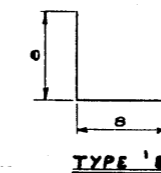
CROWN ORDINATES



SECTION THROUGH END BEAM



DECK DRAIN DETAIL
 SCALE 1/2"=1'-0"



NO.	DATE	DESCRIPTION	BY
1	OCT. 7/57	RETRACTED	F.M.

STANDARD 24'-0 RDWY 60', 70' & 80' SPANS
SLAB DETAILS

GOVERNMENT OF THE PROVINCE OF ALBERTA
 DEPARTMENT OF HIGHWAYS
 BRIDGE BRANCH, EDMONTON

FILE NO. _____ HWY. NO. _____ DWG. NO. **S-588**
 LOCATION _____ SCALE _____ SHEET **4** OF **6**
 STREAM _____

DESIGNED BY _____ DATE _____
 DETAILED BY **V.L.H.** DATE **FEB 22 1958**
 CHECKED BY _____ DATE _____

AS 11 - RECORD CENTER