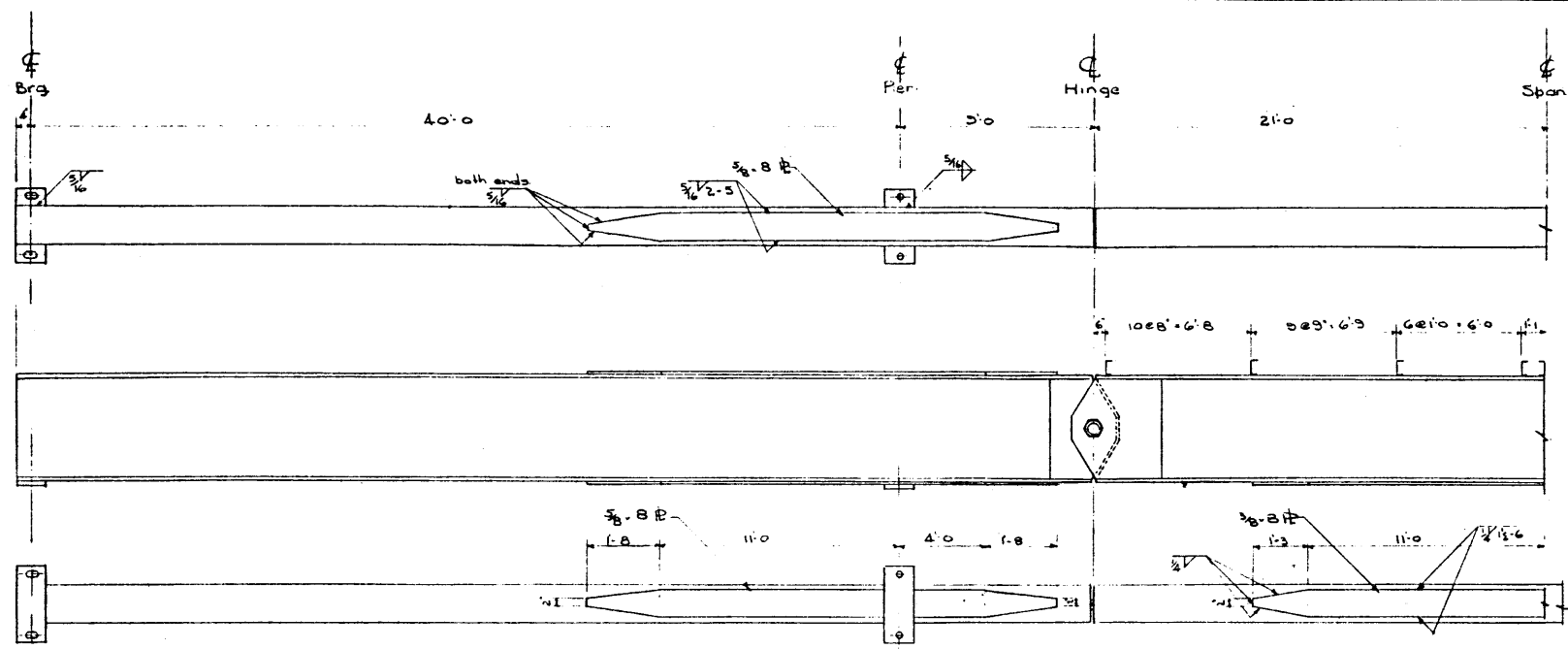
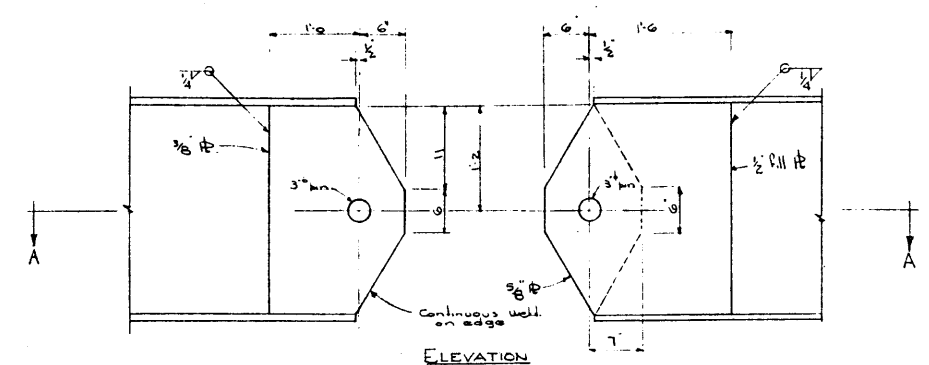


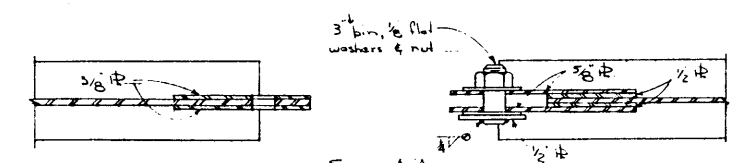
DESIGNED BY PLF
 DATE MARCH 30 1955
 CHECKED BY _____
 DATE _____



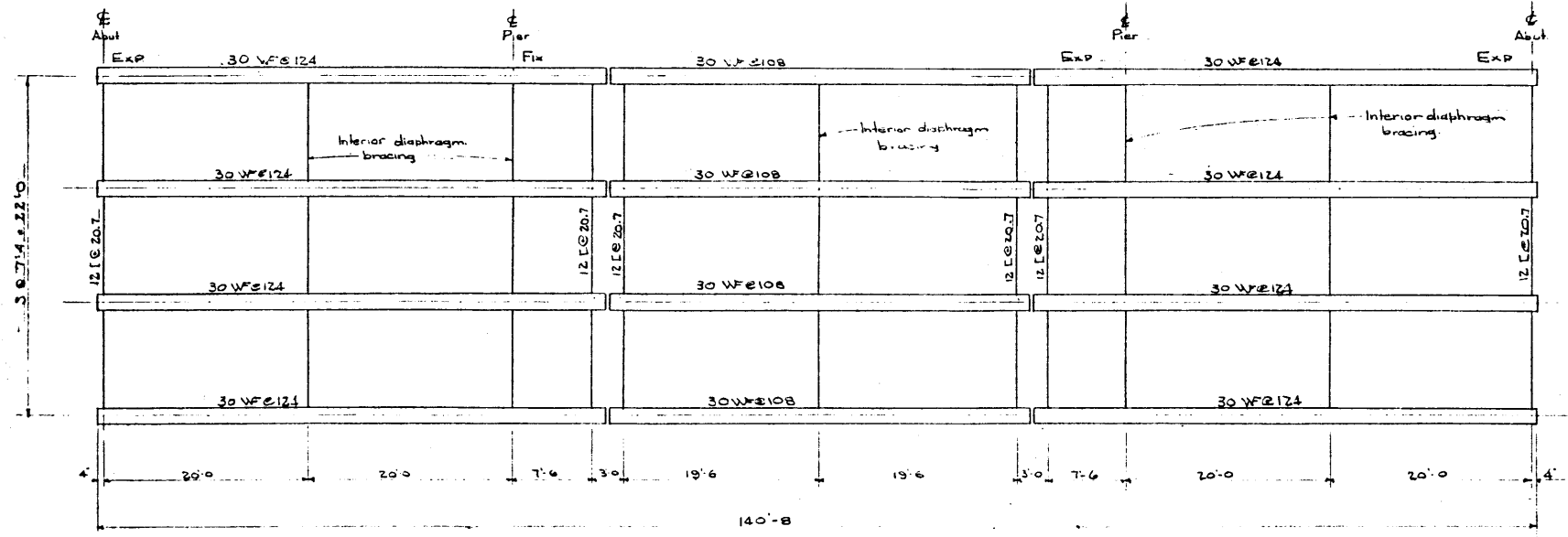
GIRDER DETAILS



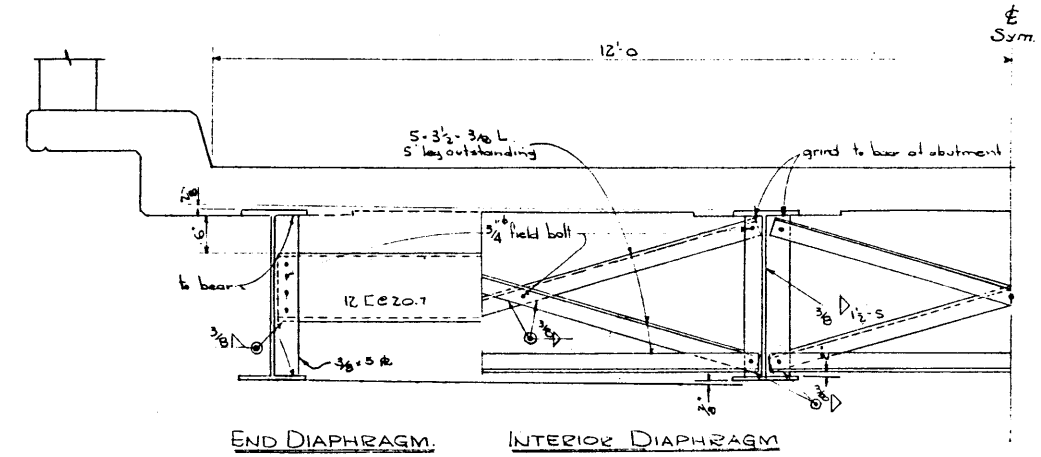
ELEVATION



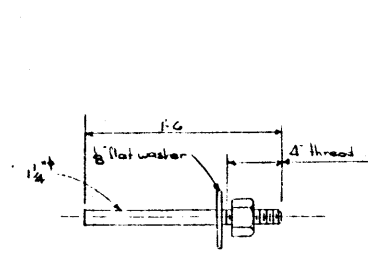
SECT A-A
HINGE DETAIL



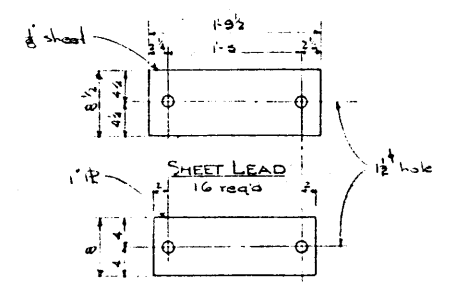
PLAN



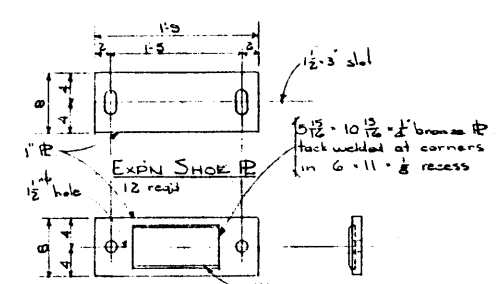
END DIAPHRAGM. INTERIOR DIAPHRAGM



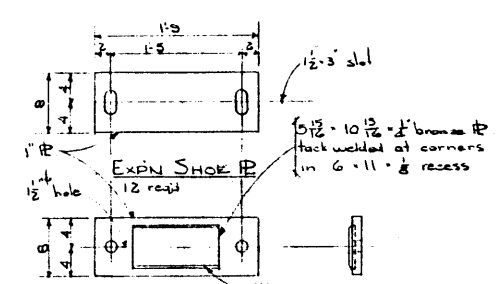
ANCHOR BOLT
32 req'd



SHEET LEAD
16 req'd

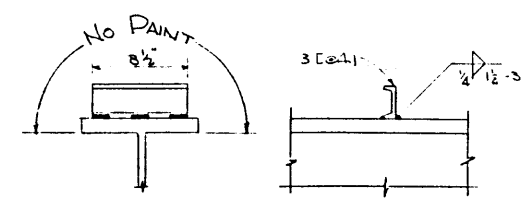


FIX SHOE & BED PL.
8 req'd



EXPN SHOE & BED PL.
12 req'd

BEARING DETAILS



SHEAR CONNECTOR

Structural Steel - 87,135 lbs.

Design Loading
 • Live Load - H20 - S16.44
 • Wearing Surface - 25 lbs/sf
 • No intermediate supports to be used during deck pour.

NO.	DATE	DESCRIPTION	BY

STANDARD 40'-60'-40' SPAN - 24' ROWY
 STEEL DETAILS

GOVERNMENT OF THE PROVINCE OF ALBERTA
 DEPARTMENT OF HIGHWAYS
 BRIDGE BRANCH, EDMONTON

FILE NO. _____ HWY. NO. _____ DWG. No. **S.589**
 LOCATION _____ SCALE _____
 STREAM _____ SHEET _____ OF _____