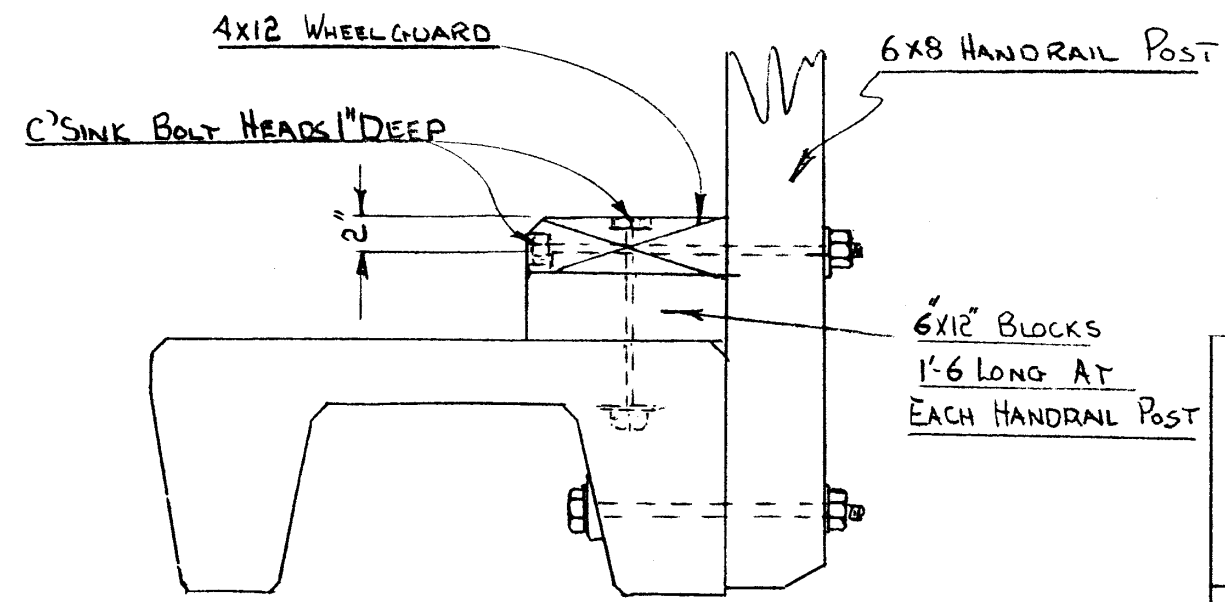


4 EQUAL SPACES FOR 28'-0" STRINGERS  
 3 EQUAL SPACES FOR 20'-0" STRINGERS



TYPICAL SECTION AT HANDRAIL POST  
 SCALE 1" = 1'-0"

NOTE  
 ALL BOLTS 3/4"  $\phi$

<u>HANDRAIL &amp; WHEELGUARD INSTALLATION</u>	
<u>MODIFIED TYPE G EDGE STRINGER</u>	
SCALE $3/8" = 1'-0"$ & NOTED	DWG No
DRAWN <u>WH</u> 7/4/55	<u>55901A</u>

AT & U - RECORDS CENTRE  
  
 F188787

WS. 99-10-04