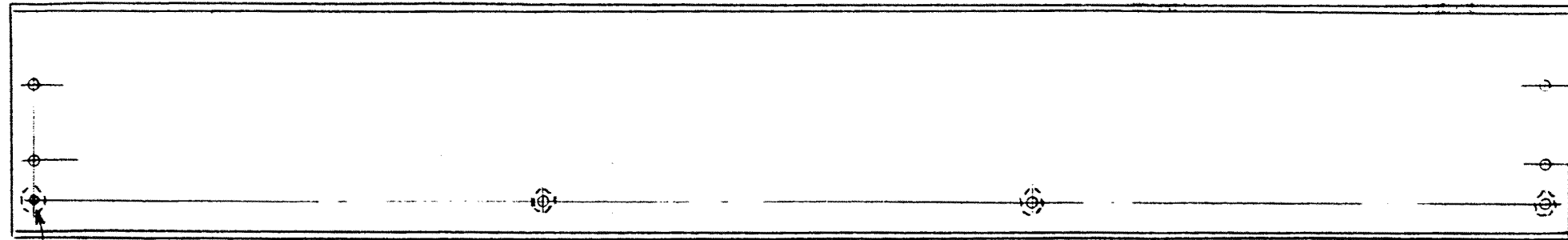
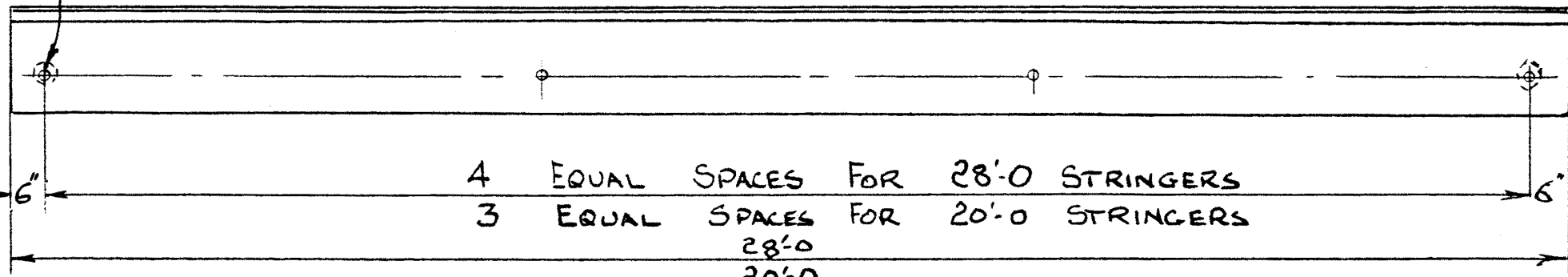


END VIEW
SCALE 1"=1'-0"

3/4" NUTS & WASHERS
CAST IN PLACE

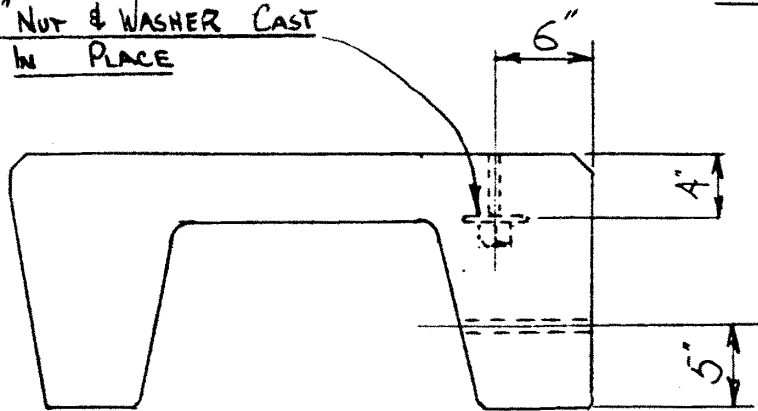


PLAN



ELEVATION
SCALE 1/2"=1'-0"

3/4" NUT & WASHER CAST
IN PLACE



TYPICAL SECTION AT HANDRAIL
ATTACH² POINTS

NOTE

1. ALL DIMENSIONS NOT SHOWN
SIMILAR TO STANDARD STRINGERS
2. ALL HOLES 7/8" Ø

TYPE 'G' EDGE STRINGER - MODIFIED FOR 1'-0" WHEELGUARD

SCALE - NOTED

DRAWN JHT 7/1/55

DWG N°
5591