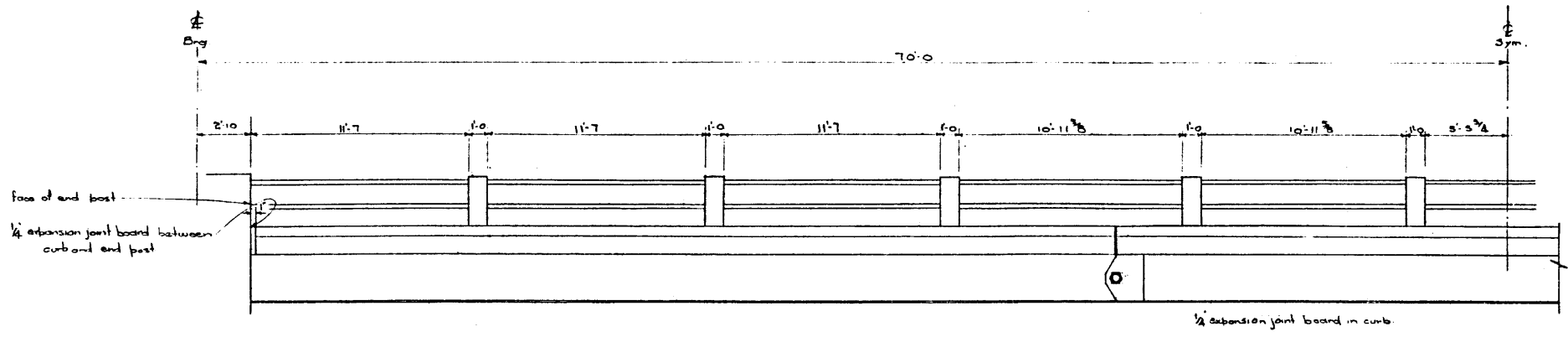
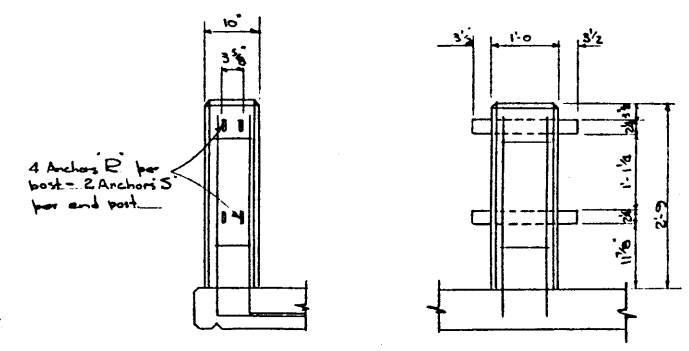


DESIGNED BY _____ DATE _____ 19 ____
 CHECKED BY _____ DATE _____ 19 ____

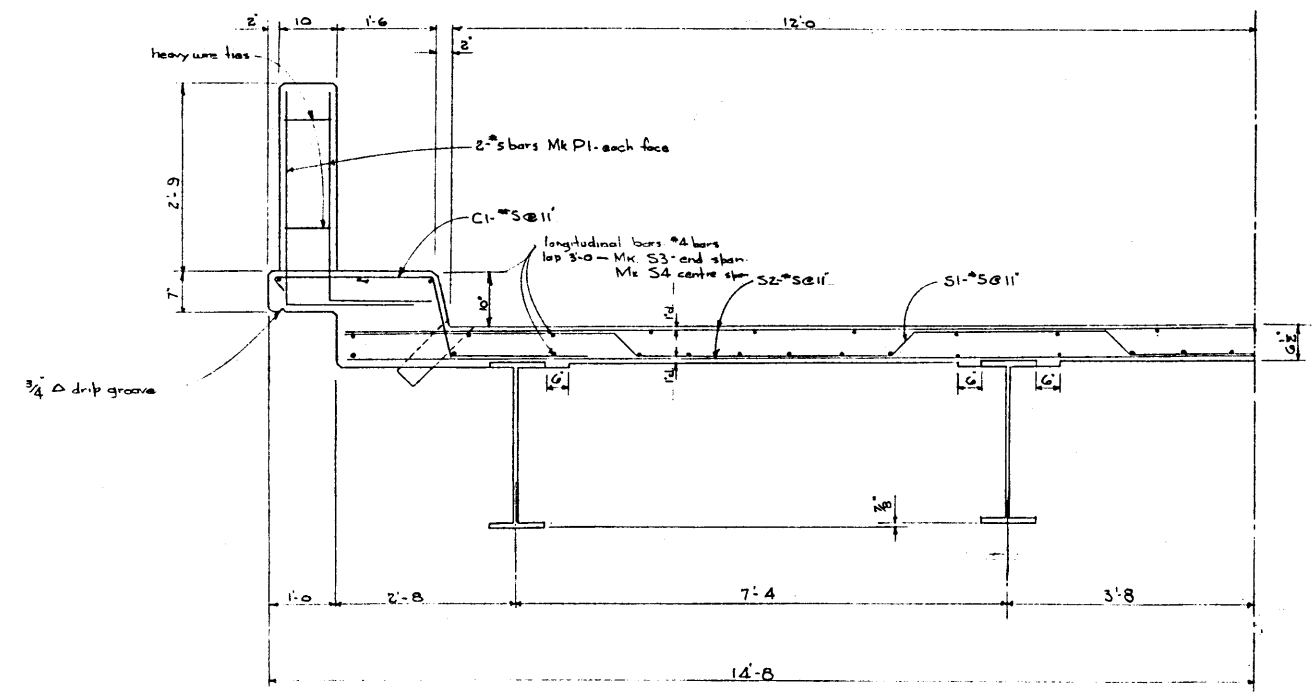


ELEVATION
Scale: 1/4" = 1'-0"

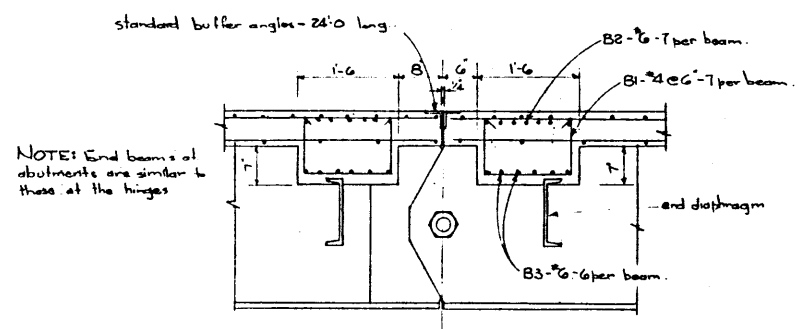


POST DETAIL
Scale: 3/4" = 1'-0"

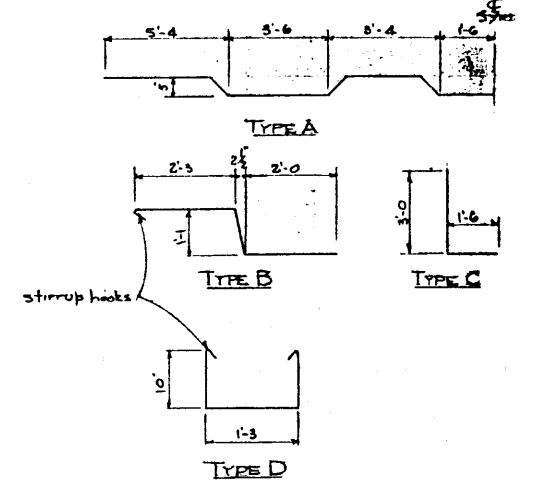
Mk	No	Size	Type	Length	Weight
S1	154	5	A	28'-0"	4497
S2	308	5	str	27'-0"	8674
S3	812	4	str	26'-0"	3682
S4	106	4	str	22'-6"	1593
GP	308	5	B	5'-10"	1873
PL	80	5	C	4'-6"	375
B1	120	4	D	3'-5"	323
B2	42	6	str	28'-0"	1766
B3	108	6	str	7'-0"	1135
Total					23,918



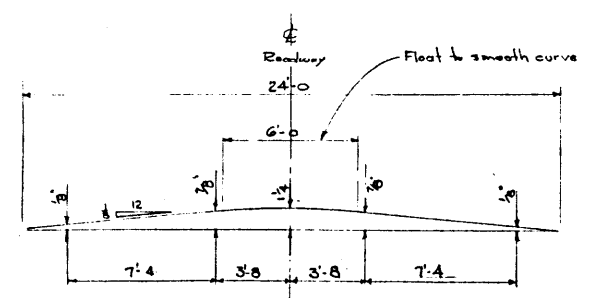
SECTION
Scale: 3/4" = 1'-0"



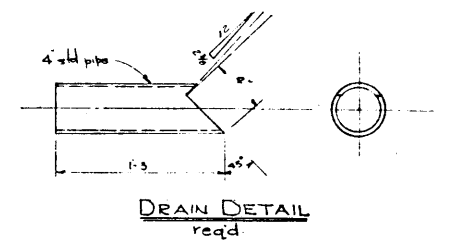
END BEAM DETAIL
Scale: 3/4" = 1'-0"



BAR TYPES
Dimensions are out to out.



CROWN COORDINATES



DRAIN DETAIL
reqd

Class 'B' concrete 162 cu. yds.

STANDARD 40-60-40 SPAN 24' RDWY
SLAB DETAILS

GOVERNMENT OF THE PROVINCE OF ALBERTA
DEPARTMENT OF HIGHWAYS
BRIDGE BRANCH, EDMONTON

NO.	DATE	DESCRIPTION	BY

FILE NO. _____ HWY. NO. _____ DWG. NO. **S-592**
 LOCATION _____ SCALE _____ SHEET _____ OF _____
 STREAM _____