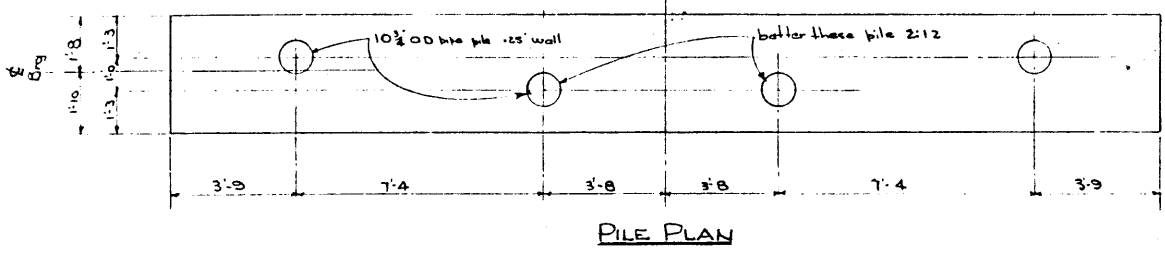
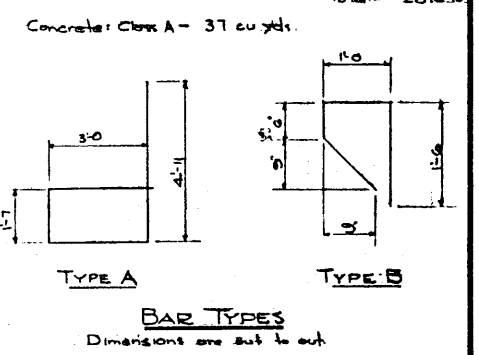
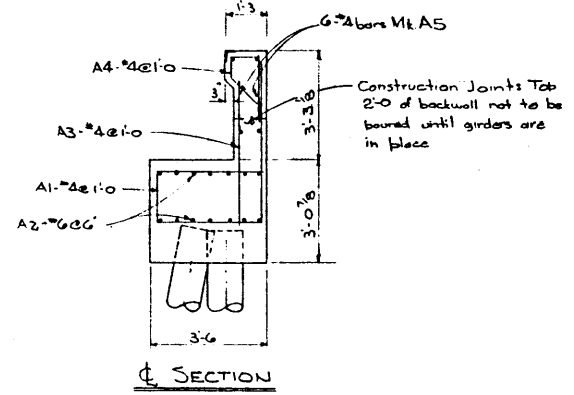
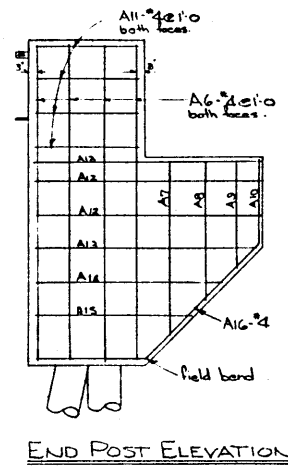
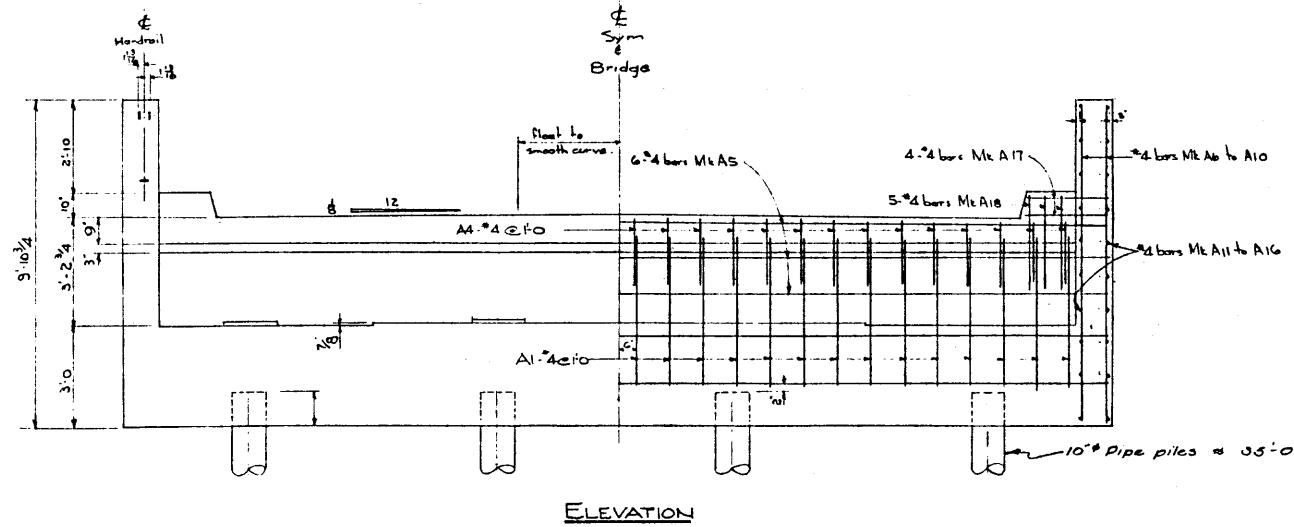


**BAR LIST - 2 ABUTMENTS**

MC	NO.	SIZE	TYPE	LENGTH	WEIGHT
A1	56	4	A	12'-8"	474
A2	28	6	Str.	25'-0"	1220
A3	56	4	Str.	4'-8"	175
A4	56	4	B	4'-0"	150
A5	12	4	Str.	25'-0"	232
A6	32	4	Str.	8'-6"	182
A7	8	4	Str.	5'-6"	25
A8	8	4	Str.	4'-6"	24
A9	8	4	Str.	3'-6"	19
A10	8	4	Str.	2'-6"	13
A11	32	4	Str.	3'-1"	66
A12	24	4	Str.	6'-6"	104
A13	8	4	Str.	6'-3"	33
A14	8	4	Str.	5'-3"	28
A15	8	4	Str.	4'-3"	23
A16	8	4	Str.	3'-0"	13
A17	16	4	Str.	2'-3"	24
A18	20	4	Str.	2'-9"	37
Total					2876 lb



DESIGNED BY \_\_\_\_\_ DATE \_\_\_\_\_ 19 55  
 CHECKED BY \_\_\_\_\_ DATE \_\_\_\_\_ 19 55

Class 'A' Concrete 37.0 cu. yds.  
 Steel piles - 280 lineal feet

NO.	DATE	DESCRIPTION	BY

STANDARD 40-60-40 SPAN-24' ROWY

**ABUTMENTS**

GOVERNMENT OF THE PROVINCE OF ALBERTA  
 DEPARTMENT OF HIGHWAYS  
 BRIDGE BRANCH, EDMONTON

FILE NO. \_\_\_\_\_ HWY. NO. \_\_\_\_\_ DWG. No. **5-593**  
 LOCATION \_\_\_\_\_ SCALE **3/8" = 1'-0"**  
 SHEET \_\_\_\_\_ OF \_\_\_\_\_