

BARREL BAR LIST (SINGLE CELL ONLY)

M#	No REOD	SIZE	TYPE	DIM" X	DIM" Y	SPACING	LENGTH	WEIGHT
MAX COVER 3'-0" T. B.	R	5	A	5'-11	3'-9	1'-3	13'-5	
	S	5	A	5'-11	2'-2	1'-3	10'-3	
	T	5	STR.			8 1/2	6'-0	
	Y	4	STR.			1'-3	6'-0	
	H	4	STR.			AS SHOWN		
MAX COVER 10'-0" T. B.	R	5	A	5'-11	3'-9	1'-3	13'-5	
	S	5	A	5'-11	2'-2	1'-3	10'-3	
	T	6	STR.			7 1/2	6'-0	
	Y	4	STR.			1'-3	6'-0	
	H	4	STR.			AS SHOWN		
MAX COVER 20'-0" T. B.	R	5	A	5'-11	3'-11	10	13'-9	
	S	5	A	5'-11	2'-4	10	10'-7	
	T	6	STR.			5	6'-0	
	V	4	STR.			1'-8	6'-0	
	H	4	STR.			AS SHOWN		

WINGWALL BAR LIST (ALL 5x5 CULVERTS)

NOTE: QUANTITIES QUOTED ARE SUFFICIENT FOR 4 WINGWALLS

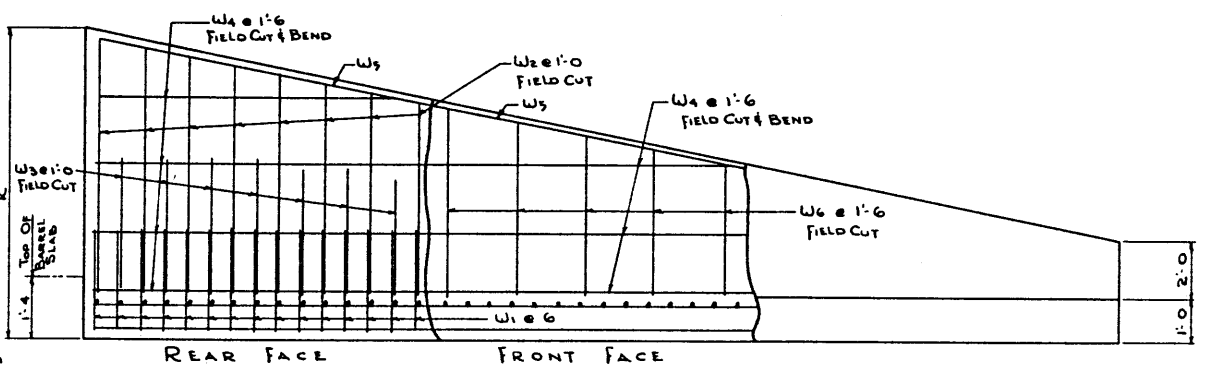
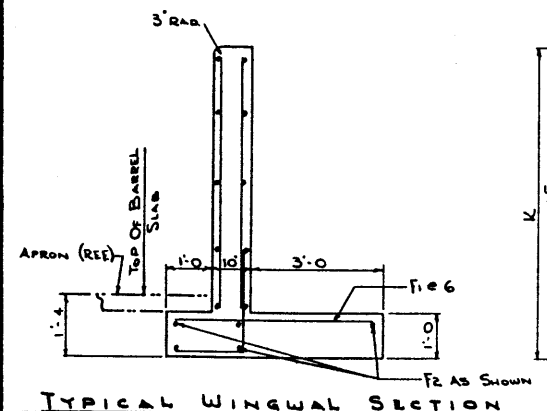
M#	No REOD	SIZE	TYPE	LENGTH	WEIGHT	REMARKS	
W1	172	5	B	4'-0	718	FIELD CUT WHERE NECESSARY	
W2	16	5	STR.	20'-0	334	MAX. L 6'-4 MIN. L 2'-2 - 68 PERS.	
W3	10	5		20'-0	209	MAX. L 3'-4 MIN. L 2'-2 - 60 PERS.	
W4	24	4		21'-0	337	MAX. L 21'-0 MIN. L 7'-8 - 32 PERS.	
W5	8	4		21'-9	116		
W6	12	4		20'-0	160	MAX. L 6'-4 MIN. L 10' - 60 PERS.	
F1	172	5		4'-6	807		
F2	20	4	STR.	21'-0	281		
					TOTAL	2,962	

APRON & HEADWALL BAR LIST (ALL 5x5 CULVERTS)

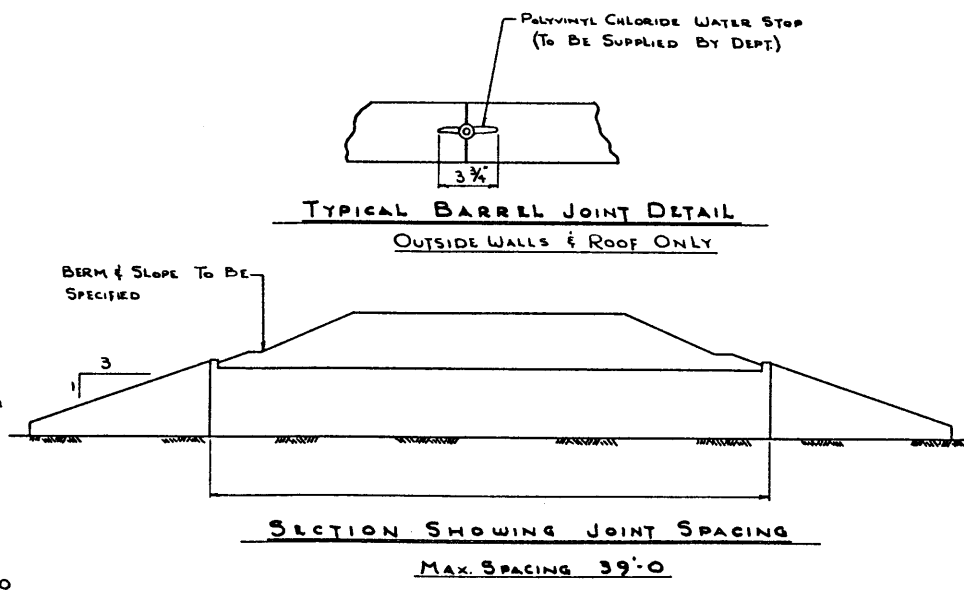
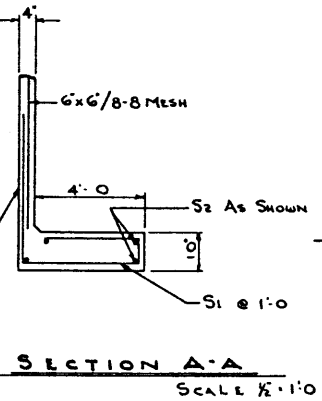
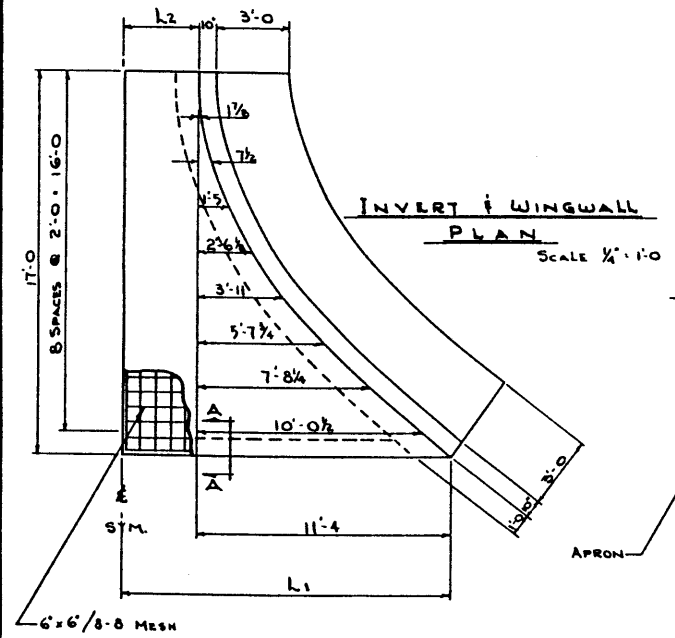
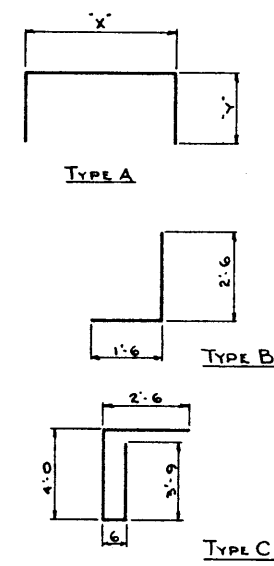
No. Of Cells	M#	No REOD	SIZE	TYPE	LENGTH	WEIGHT	TOTAL WT. (LBS)
1	W1	8	4	STR.	1'-0	7	696
	S1	50	4	C	10'-9	360	
	S2	16	4	STR.	13'-0	139	
	MESH			6'-6/8-8 STR.	640 SQ FT	192	
2	W1	16	4	STR.	1'-0	11	890
	S1	60	4	C	10'-9	432	
	S2	16	4	STR.	16'-0	171	
	MESH			6'-6/8-8 STR.	920 SQ FT	276	
3	W1	24	4	STR.	1'-0	16	1,083
	S1	72	4	C	10'-9	518	
	S2	16	4	STR.	18'-6	198	
	MESH			6'-6/8-8 STR.	1170 SQ FT	351	

APRON & WINGWALL DIMS (ALL 5x5 CULVERTS)

No. Of Cells	DIMENSIONS				CONCRETE (Cu. Yds)	
	t'	L1	L2	K	BARREL/FT	END STRUCT
1	8	13'-10	2'-6	7'-8	0.578	30.5
	10	13'-10	2'-6	7'-10	0.656	
2	8	16'-8	5'-4	7'-8	1.000	33.0
	10	16'-8	5'-4	7'-10	1.149	
3	8	19'-6	8'-2	7'-8	1.422	35.6
	10	19'-6	8'-2	7'-10	1.640	



BAR TYPES



NOTES  
1 BAR DIMENSIONS ARE OUT TO OUT  
2 BAR COVER 2"

NO.	DATE	DESCRIPTION	BY
1	JULY 19/51	RETRACTED	SGU
REVISIONS			

**SINGLE CELL 5x5 CULVERTS  
& WING DETAILS**

GOVERNMENT OF THE PROVINCE OF ALBERTA  
DEPARTMENT OF HIGHWAYS  
BRIDGE BRANCH, EDMONTON

FILE NO. \_\_\_\_\_ HWY. NO. \_\_\_\_\_ DWG. NO. **3594**  
LOCATION \_\_\_\_\_ SCALE \_\_\_\_\_  
STREAM \_\_\_\_\_ SHEET \_\_\_\_\_ OF \_\_\_\_\_

DESIGNED BY \_\_\_\_\_ DATE \_\_\_\_\_  
CHECKED BY \_\_\_\_\_ DATE \_\_\_\_\_  
DRAWN BY \_\_\_\_\_ DATE \_\_\_\_\_

AS 1.1 - RECORDS CENTRE