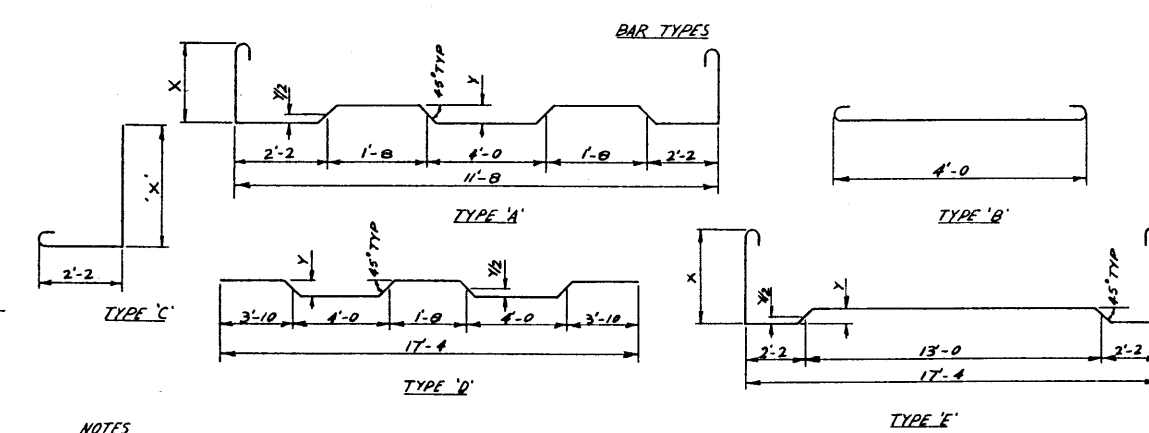
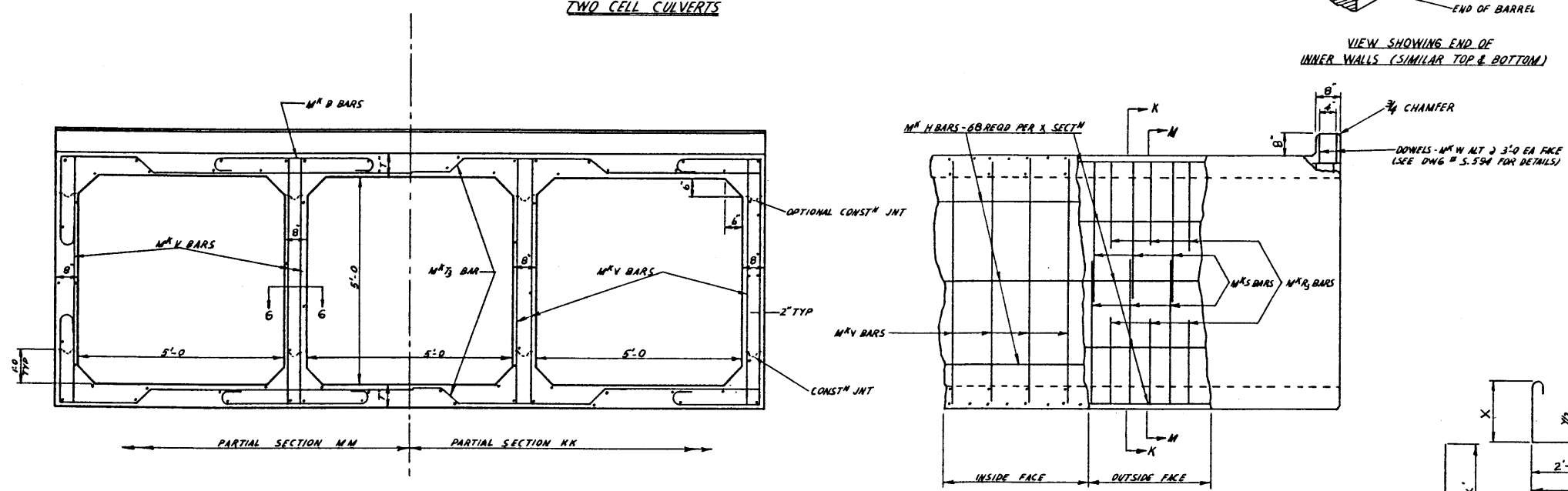


DOUBLE-CELL CULVERTS BAR LIST

	NO REQ'D	SIZE	TYPE	DIM" X	DIM" Y	SPACING	LENGTH	WEIGHT
MAX COVER = 5'-0" T = 8"	H	4	STR			AS SHOWN		
	P	5	B			1'-2"	5'-0"	
	R ₁	5	A	2'-2"	4"	1'-2"	17'-6"	
	S	4	C	4'-0"		1'-2"	6'-7"	
	T ₁	4	STR			1'-2"	11'-8"	
V	4	STR			1'-2"	6'-0"		
MAX COVER = 10'-0" T = 8"	H	4	STR			AS SHOWN		
	P	5	B			10"	5'-0"	
	R ₁	5	A	2'-2"	4"	10"	17'-6"	
	S	4	C	4'-0"		10"	6'-7"	
	T ₁	4	STR			10"	11'-8"	
V	4	STR			10"	6'-0"		
MAX COVER = 20'-0" T = 10"	H	4	STR			AS SHOWN		
	P	5	B			8"	5'-0"	
	R ₁	5	A	2'-4"	6"	8"	18'-2"	
	S	4	C	4'-2"		8"	6'-9"	
	T ₁	4	STR			8"	11'-8"	
V	4	STR			8"	6'-4"		

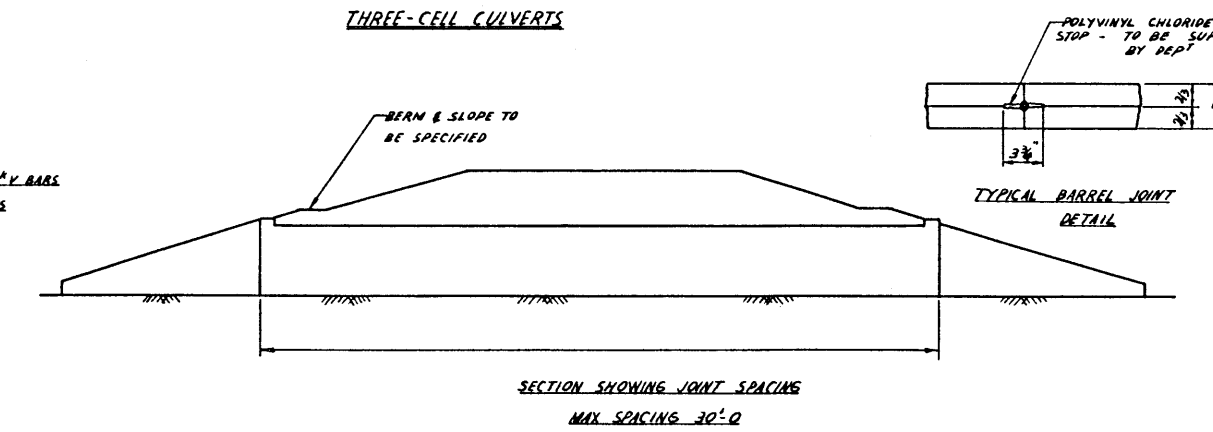
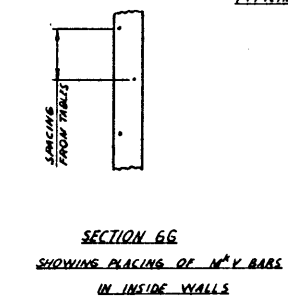
TRIPLE-CELL CULVERTS BAR LIST

	NO REQ'D	SIZE	TYPE	DIM" X	DIM" Y	SPACING	LENGTH	WEIGHT
MAX COVER = 5'-0" T = 8"	H	4	STR			AS SHOWN		
	P	5	B			1'-2"	5'-0"	
	R ₁	4	E	2'-2"	4"	1'-2"	23'-0"	
	S	4	C	4'-0"		1'-2"	6'-7"	
	T ₁	5	D		4"	1'-2"	18'-0"	
V	4	STR			1'-2"	6'-0"		
MAX COVER = 10'-0" T = 8"	H	4	STR			AS SHOWN		
	P	5	B			10 1/2"	5'-0"	
	R ₁	4	E	2'-2"	4"	10 1/2"	23'-0"	
	S	4	C	4'-0"		10 1/2"	6'-7"	
	T ₁	5	D		4"	10 1/2"	18'-0"	
V	4	STR			10 1/2"	6'-0"		
MAX COVER = 20'-0" T = 10"	H	4	STR			AS SHOWN		
	P	5	B			8 1/2"	5'-0"	
	R ₁	4	E	2'-4"	6"	8 1/2"	23'-3"	
	S	4	C	4'-2"		8 1/2"	6'-9"	
	T ₁	5	D		6"	8 1/2"	18'-2"	
V	4	STR			8 1/2"	6'-4"		



- NOTES**
1. BAR DIMENSIONS OUT TO OUT
 2. MINIMUM BAR COVER 2"
 3. FOR DETAILS OF APRONS & WINGWALLS SEE DWG # S.594
 4. ALL HOOKED BARS TO BE SUPPLIED WITH 'MINIMUM' HOOKS

DESIGNED BY: _____ DATE: _____
 CHECKED BY: _____ DATE: _____
 DRAWN BY: _____ DATE: _____



NO.	DATE	DESCRIPTION	BY

**5' x 5' DOUBLE- & TRIPLE-CELL
CULVERT DETAILS**

GOVERNMENT OF THE PROVINCE OF ALBERTA
DEPARTMENT OF HIGHWAYS
BRIDGE BRANCH, EDMONTON

FILE NO. _____ HWY. NO. _____ DWG. NO. _____
 LOCATION _____ SCALE _____ SHEET _____ OF _____
 STREAM _____ SHEET _____ OF _____

5.595