

WINGWALL BAR LIST (ALL 6x6 CULVERTS)
NOTE: QUANTITIES QUOTED ARE SUFFICIENT FOR 4 WINGWALLS

M#	No ROD	SIZE	TYPE	LENGTH	WEIGHT	REMARKS
W1	172	5	B	4'-0"	718	FIELD CUT WHERE NECESSARY
W2	22	5	STR	20'-0"	459	MAX L 7'-4" MIN L 2'-2" - 84 Pcs
W3	13	5		20'-0"	271	MAX L 3'-8" MIN L 2'-2" - 76 Pcs
W4	24	4		21'-0"	337	MAX L 21'-0" MIN L 7'-8" - 32 Pcs
W5	8	4		21'-9"	116	
W6	15	4		20'-0"	200	MAX L 7'-4" MIN L 2'-2" - 56 Pcs
F1	172	5		4'-6"	807	
F2	20	4	STR	21'-0"	281	
						CULVERT TOTAL 3,189 Lbs

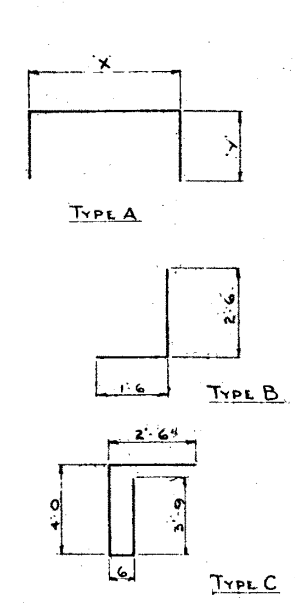
APRON & HEADWALL BAR LIST (ALL 6x6 CULVERTS)

No Of Cells	M#	No ROD	SIZE	TYPE	LENGTH	WEIGHT	TOTAL WT (LBS)
1	W1	10	4	STR	1'-0"	7	37
	S1	52	4	C	10'-9"	874	
	MESH		6x6/8-B	STR	120 sq ft	276	
2	W1	18	4	STR	1'-0"	12	1,181
	S1	64	4	C	10'-9"	460	
	S2	16	4	STR	11'-0"	182	
3	MESH		6x6/8-B	STR	1010 sq ft	308	390
	W1	26	4	STR	1'-0"	17	
	S1	78	4	C	10'-9"	560	
	S2	16	4	STR	20'-0"	214	
	MESH		6x6/8-B	STR	1300 sq ft	390	

APRON & WINGWALL DIMS (ALL 6x6 CULVERTS)

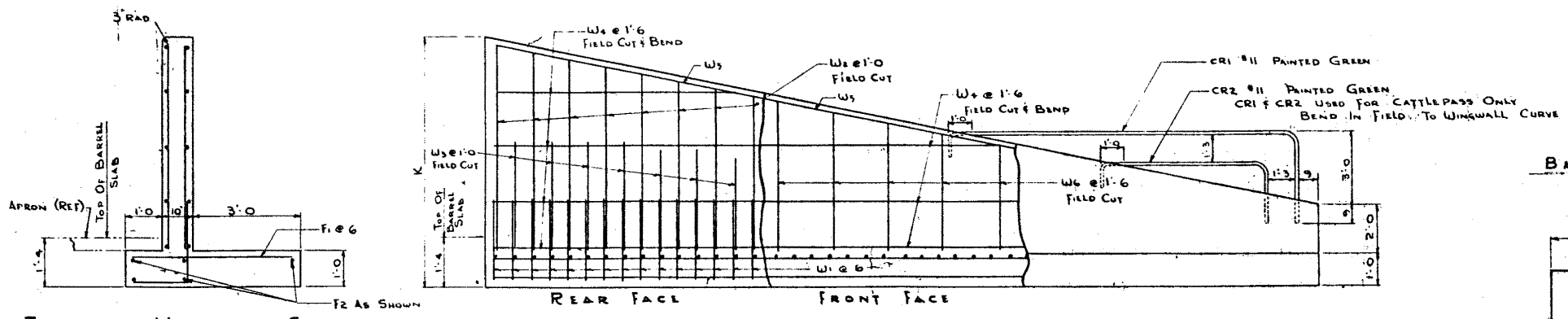
No Of Cells	DIMENSIONS				CONCRETE (CU YDS)	BARRELS/FT	END STRUCT
	L'	L1	L2	K			
1	8'-0"	14'-4"	3'-0"	8'-0"	0.637	33.7	
2	8'-0"	14'-4"	3'-0"	8'-0"	0.790	36.7	
3	8'-0"	21'-0"	9'-8"	8'-8"	1.669	39.5	

BAR TYPES

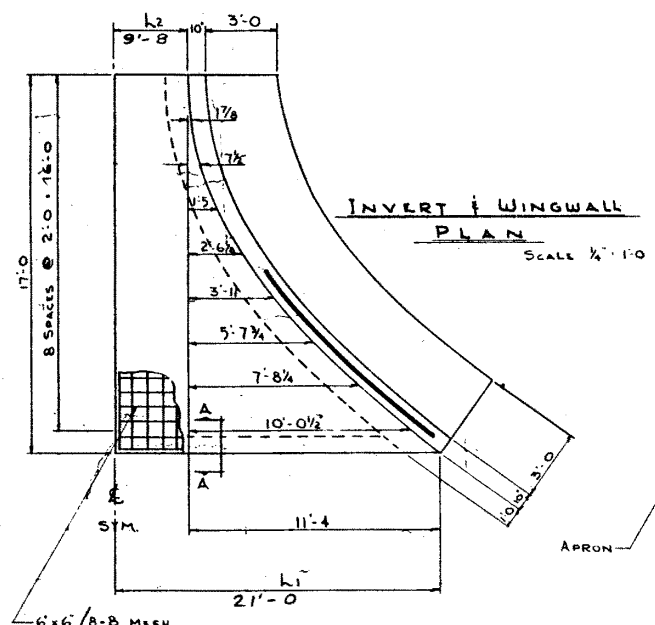


- NOTES**
1. BAR DIMENSIONS ARE OUT TO OUT
2. BAR COVER 2"

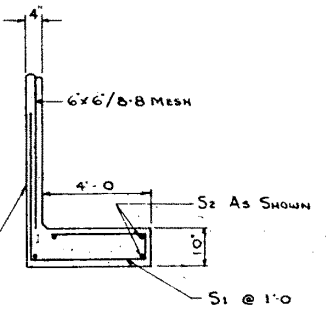
NO.	DATE	REVISIONS	BY
1	JULY 14/51	RETRACED	SGW



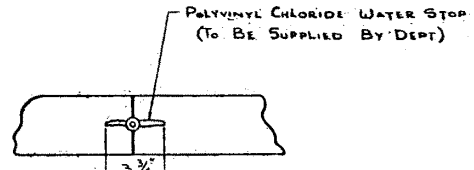
WINGWALL DEVELOPMENT (NOT TO SCALE)



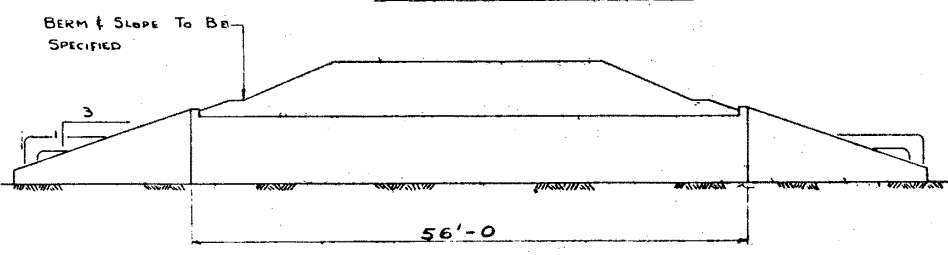
INVERT & WINGWALL PLAN SCALE 1/4" = 1'-0"



SECTION A-A SCALE 1/2" = 1'-0"



TYPICAL BARREL-JOINT DETAIL OUTSIDE WALLS & ROOF ONLY



SECTION SHOWING JOINT SPACING MAX. SPACING 39'-0"

TRIPLE CELL 6x6 CULVERTS & WING DETAILS

GOVERNMENT OF THE PROVINCE OF ALBERTA
DEPARTMENT OF HIGHWAYS
BRIDGE BRANCH, EDMONTON

FILE NO. 1384 HWY. NO. 6A DWG. NO. 5396-1
LOCATION: HWY 35-6 30-A SCALE AS SHOWN
STREAM: CREEK SHEET 2 OF 3

DESIGNED BY: _____ DATE: _____
 CHECKED BY: _____ DATE: _____