

TYPICAL SECTION

ELEVATION

SCALE 1/4" = 1'-0"

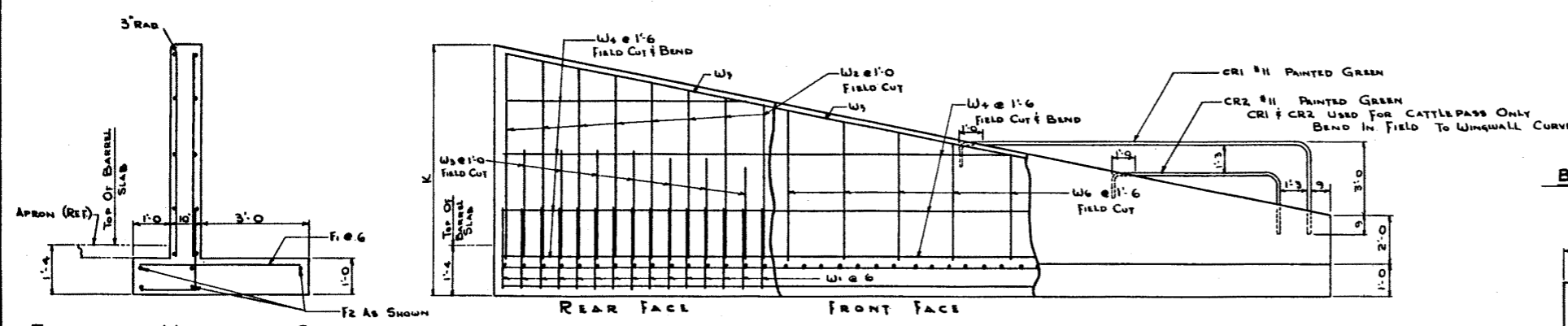
BARREL BAR LIST (SINGLE CELL ONLY)

M#	No REQ'D	SIZE	TYPE	DIM" X	DIM" Y	SPACING	LENGTH	WEIGHT
R	5	A		6'-11"	4'-3"	1'-1"	15'-5"	
S	5	A		6'-11"	2'-6"	1'-1"	11'-11"	
T	5	STR				6 1/2"	7'-0"	
V	4	STR				1'-7 1/2"	7'-0"	
H	4	STR				AS SHOWN		
Max. Cover 3'-0" t. 8"								
R	5	A		6'-11"	4'-3"	1'-0"	15'-5"	
S	5	A		6'-11"	2'-6"	1'-0"	11'-11"	
T	6	STR				6"	7'-0"	
V	4	STR				1'-6"	7'-0"	
H	4	STR				AS SHOWN		
Max. Cover 10'-0" t. 8"								
R	5	A		6'-11"	4'-3"	10"	15'-9"	
S	5	A		6'-11"	2'-6"	10"	12'-3"	
T	6	STR				5"	7'-0"	
V	4	STR				1'-8"	7'-5"	
H	4	STR				AS SHOWN		
Max. Cover 20'-0" t. 10 1/2"								

WINGWALL BAR LIST (ALL 6x6 CULVERTS)

NOTE: QUANTITIES QUOTED ARE SUFFICIENT FOR 4 WINGWALLS

M#	No REQ'D	SIZE	TYPE	LENGTH	WEIGHT	REMARKS
W1	172	5	B	4'-0"	718	FIELD CUT WHERE NECESSARY
W2	22	3	STR	20'-0"	459	MAX. L. 7'-4" MIN. L. 2'-2" - 84 Pcs
W3	13	5	I	20'-0"	271	MAX. L. 3'-8" MIN. L. 2'-2" - 76 Pcs
W4	24	4	I	21'-0"	337	MAX. L. 21'-0" MIN. L. 7'-8" - 32 Pcs
W5	8	4	I	21'-9"	116	
W6	15	4	I	20'-0"	200	MAX. L. 7'-4" MIN. L. 2'-2" - 56 Pcs
F1	172	5	I	4'-6"	807	
F2	20	4	STR	21'-0"	281	
CR1	4	11	D	15'-6"	329	CULVERT TOTAL 3,189 LBS.
CR2	4	11	D	8'-3"	175	CATTLEPASS TOTAL 3,693 LBS.

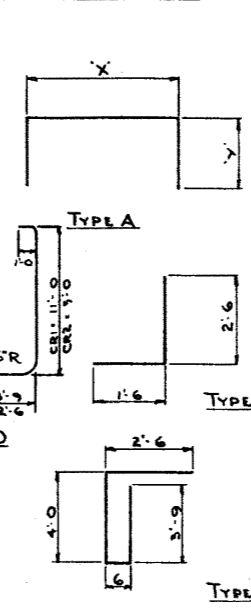


TYPICAL WINGWALL SECTION

WINGWALL DEVELOPMENT

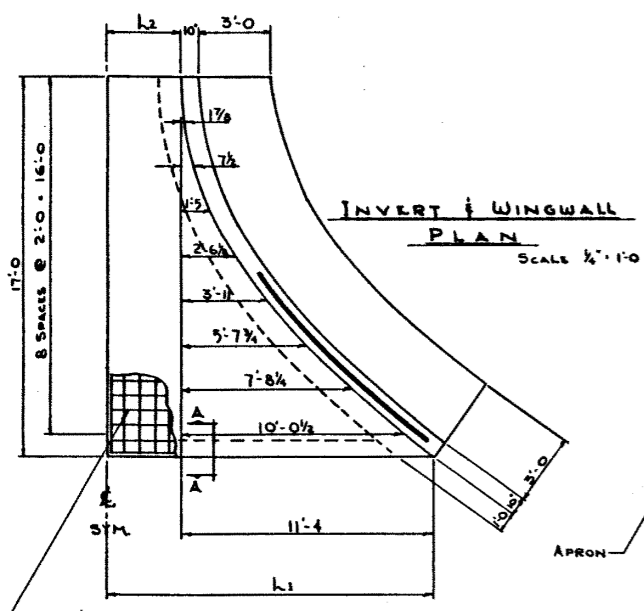
(NOT TO SCALE)

BAR TYPES



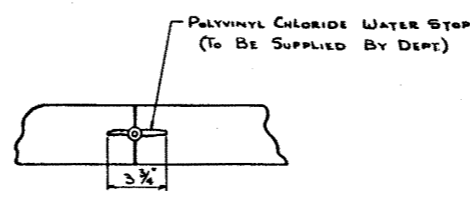
APRON & HEADWALL BAR LIST (ALL 6x6 CULVERTS)

No Of Cells	M#	No REQ'D	SIZE	TYPE	LENGTH	WEIGHT	TOTAL WT/LBS	
1	W1	10	4	STR	1'-0"	7	741	
	S1	52	4	C	10'-9"	374		
	S2	16	4	STR	13'-6"	144		
					MESH	6'x6'/8-8 STR	720 sq. ft.	216
2	W1	18	4	STR	1'-0"	12	957	
	S1	64	4	C	10'-9"	460		
	S2	16	4	STR	17'-0"	182		
					MESH	6'x6'/8-8 STR	1010 sq. ft.	303
3	W1	26	4	STR	1'-0"	17	1,181	
	S1	78	4	C	10'-9"	560		
	S2	16	4	STR	20'-0"	214		
					MESH	6'x6'/8-8 STR	1300 sq. ft.	390



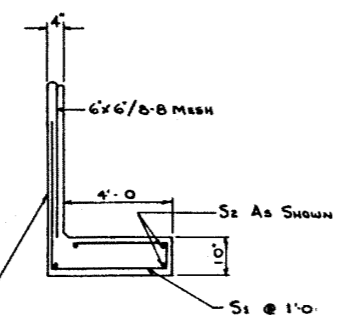
INVERT & WINGWALL PLAN

SCALE 1/4" = 1'-0"



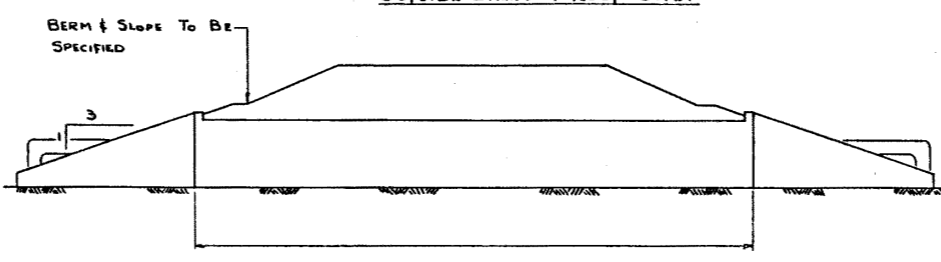
TYPICAL BARREL JOINT DETAIL

OUTSIDE WALLS & ROOF ONLY



SECTION A-A

SCALE 1/4" = 1'-0"



SECTION SHOWING JOINT SPACINGS

MAX. SPACING 39'-0"

NOTES
1 BAR DIMENSIONS ARE OUT TO OUT
2 BAR COVER 2"

NO.	DATE	DESCRIPTION	BY
1	JULY 14/91	RETRACTED	SGW
REVISIONS			

APRON & WINGWALL DIM# (ALL 6x6 CULVERTS)

No Of Cells	DIMENSIONS				CONCRETE (Cu Yds)	
	t'	L1	L2	K	BARREL/FT	END STRUCT
1	8	14'-4"	3'-0"	8'-8"	0.677	33.5
	10 1/2	14'-4"	3'-0"	8'-10 1/2"	0.790	
2	8	17'-8"	6'-4"	8'-8"	1.173	36.5
	1'-0"	17'-8"	6'-4"	9'-0"	1.519	
3	8	21'-0"	9'-8"	8'-8"	1.669	39.5
	11 1/2	21'-0"	9'-8"	8'-11 1/2"	2.115	

SINGLE CELL 6x6 CULVERTS & WING DETAILS

GOVERNMENT OF THE PROVINCE OF ALBERTA
DEPARTMENT OF HIGHWAYS
BRIDGE BRANCH, EDMONTON

FILE NO. _____ HWY. NO. _____ DWG. NO. 5596
LOCATION _____ SCALE _____ SHEET _____ OF _____

DESIGNED BY _____ DATE _____
 CHECKED BY _____ DATE _____

U.S. RECORD CENTER