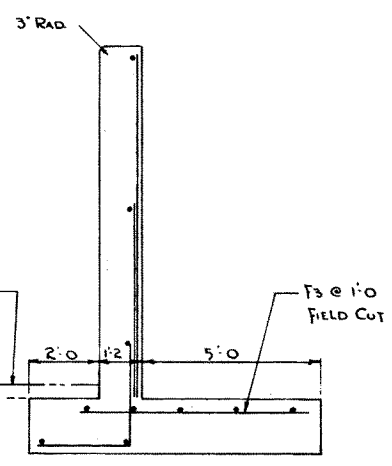


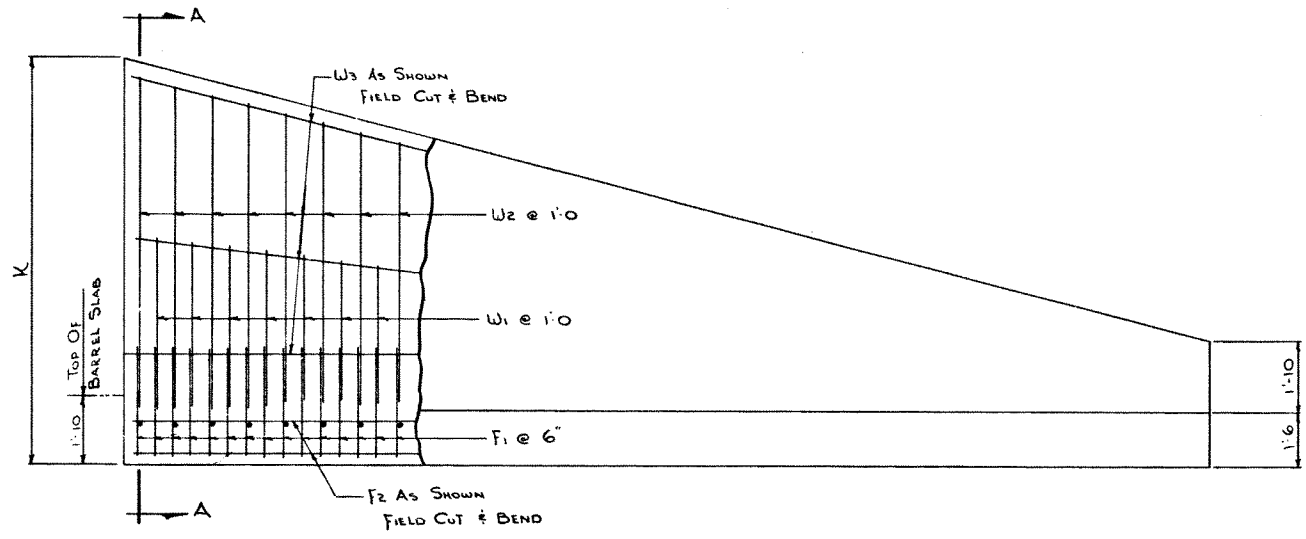
DESIGNED BY:
 DETAILED BY: Willy
 CHECKED BY:

TYPICAL SECTION



SECTION A-A

ELEVATION



WINGWALL DEVELOPMENT

WINGWALL BAR LIST (ALL 6'x8' CULVERTS)

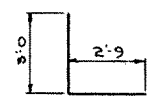
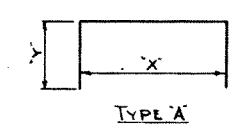
M [#]	No REOD	SIZE	TYPE	LENGTH	WEIGHT	REMARKS ^{To be field cut}
W1	23	5	STR	20'-0	480	MAX L: 5'-0 MIN L: 2'-3 108 Pcs
W2	39	5	STR	20'-0	814	MAX L: 9'-6 MIN L: 2'-2 116 Pcs
W3	24	4	STR	16'-6	265	MAX L: 30'-6 MIN L: 30'-0 12 Pcs
F1	244	5	B	5'-9	1,463	
F2	52	4	STR	16'-0	596	MAX L: 30'-0 MIN L: 16'-0 28 Pcs
F3	31	6	STR	20'-0	931	MAX L: 6'-2 MIN L: 2'-8 124 Pcs
					TOTAL	4,509 lbs

APRON & HEADWALL BAR LIST (ALL 6'x8' CULVERTS)

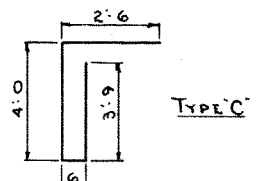
No Of Cells	M [#]	N ^o REOD	SIZE	TYPE	LENGTH	WEIGHT	TOTAL WT
1	D	20	4	STR	1'-0	13	935 lbs
	S1	62	4	C	10'-9	447	
	S2	16	4	STR	16'-0	171	
	MESH				6'x6'/8-8	1012 SqFt	
2	D	36	4	STR	1'-0	24	1,122 lbs
	S1	78	4	C	10'-9	560	
	S2	16	4	STR	20'-0	214	
	MESH				6'x6'/8-8	1080 SqFt	
3	D	52	4	STR	1'-0	35	1,363 lbs
	S1	94	4	C	10'-9	674	
	S2	24	4	STR	18'-0	288	
	MESH				6'x6'/8-8	1220 SqFt	

BAR TYPES

BAR DIMENSIONS ARE OUT TO OUT



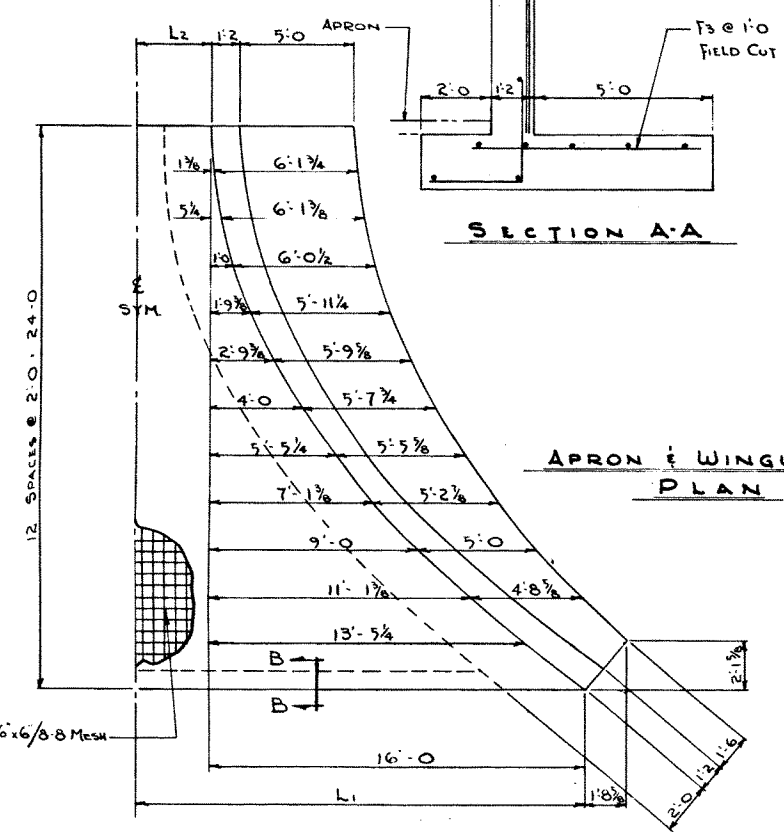
TYPE B



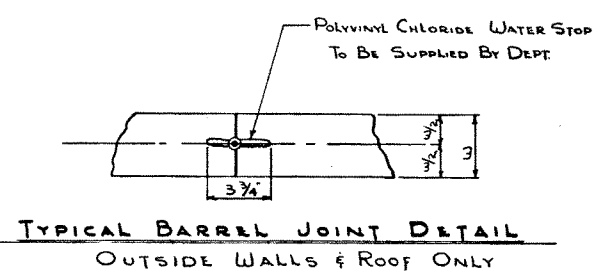
TYPE C

APRON & WINGWALL DIMS (ALL 6'x8' CULVERTS)

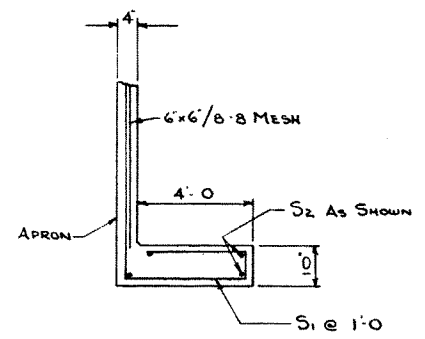
N ^o OF CELLS	t'	DIMENSIONS			CONCRETE (CU YDS)	
		L1	L2	K	BARREL/FT	END STRUCT
1	8	19'-0	3'-0	11'-2	0.776	87.2
	10	19'-0	3'-0	11'-4	0.866	
2	9	22'-4	6'-4	11'-3	1.407	91.3
	1'-0	22'-5	6'-5	11'-6	1.852	
3	8'	51'-4"	9'-8"	11'-2"		95.5



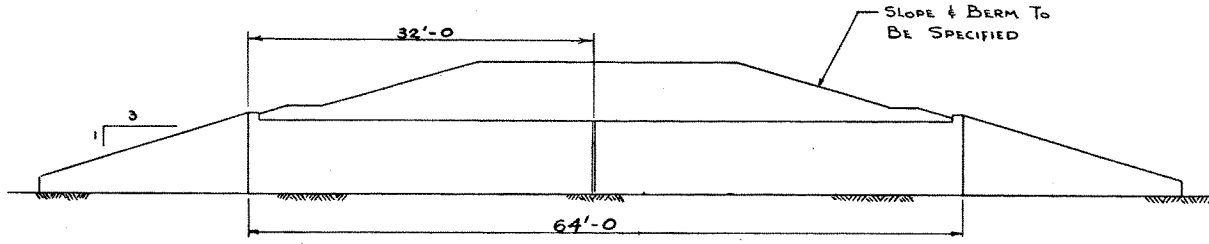
APRON & WINGWALL PLAN



TYPICAL BARREL JOINT DETAIL
OUTSIDE WALLS & ROOF ONLY



SECTION B-B



SECTION SHOWING JOINT SPACING
MAX. SPACING 39'-0

NO.	DATE	DESCRIPTION	BY
1	JULY 23/51	REDRAWN	SGW
REVISIONS			

TRIPLE-CELL 6'-0 x 8'-0 CULVERT
WINGWALL DETAILS

GOVERNMENT OF THE PROVINCE OF ALBERTA
 DEPARTMENT OF HIGHWAYS
 BRIDGE BRANCH, EDMONTON

FILE NO. 72638 & 73648 HWY. NO. 6A DWG. NO. 5-598-2 of 3
 LOCATION: SCALE AS SHOWN
 STREAM: CREEK SHEET 3 OF 3