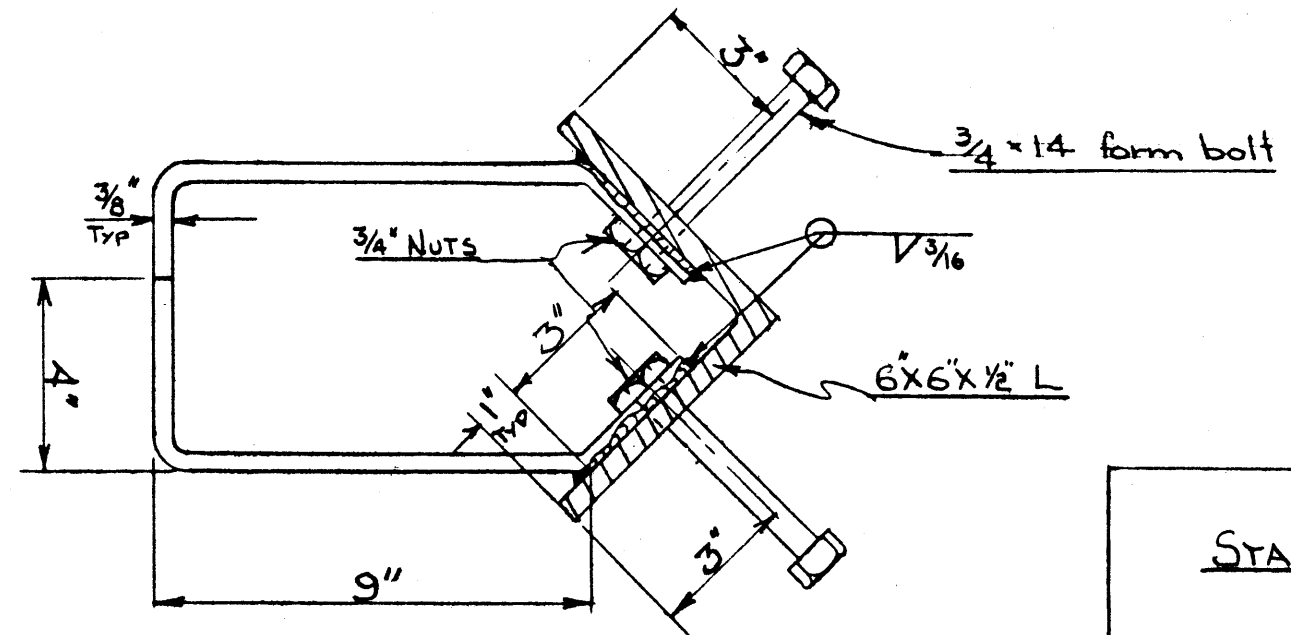
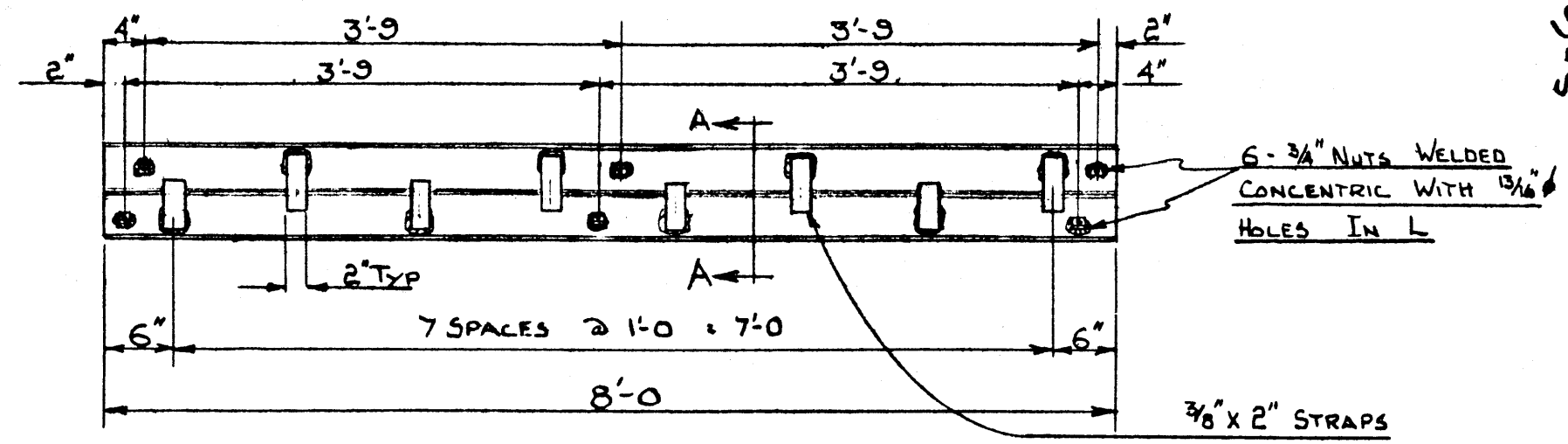


5-607



WEIGHT - 186 lbs

①

STANDARD NOSE PROTECTION ANGLE

SCALE - 3/8" = 1'-0" & NOTED

DWG N°

DRAWN - Willy 16-6-55

5607

SECTION AA  
SCALE 3/8" = 1'-0"