

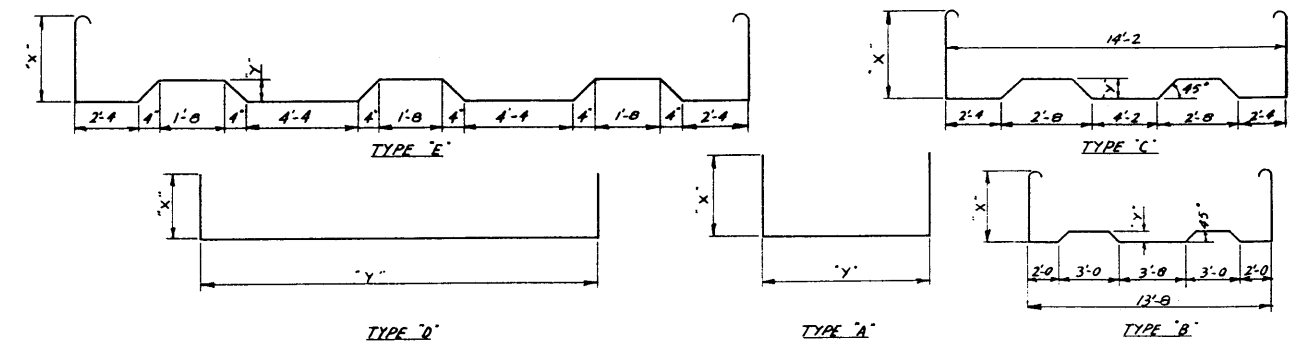
TWO CELL 6'x8' CULVERTS

MARK	Nº REQD	SIZE	TYPE	DIM" X'	DIM" Y'	SPACING	LENGTH	WEIGHT
MAX COVER 5'-0" W=8" T=3"	R _B	5	A	5'-8"	13'-8"	1'-2"	25'-0"	
	S _B	5	B	3'-3"	5"	1'-2"	21'-0"	
	V _B	4	STR			AS SHOWN	9'-2"	
	H _B	4	STR			AS SHOWN		
	T _B	4	STR			4'-8"	13'-8"	
MAX COVER 25'-0" W=14" T=1'-0"	R _B	6	A	5'-11"	14'-2"	9"	26'-0"	
	S _B	6	C	3'-6"	8"	9"	23'-8"	
	V _B	4	STR			1'-6"	9'-8"	
	H _B	4	STR			AS SHOWN		
	T _B	4	STR			5'-0"	14'-2"	

THREE CELL 6'x8' CULVERTS

MARK	Nº REQD	SIZE	TYPE	DIM" X'	DIM" Y'	SPACING	LENGTH	WEIGHT
MAX COVER 10'-0" W=8" T=3"	R _B	5	D	5'-8"	20'-5"	1'-2"	31'-9"	
	S _B	5	E	3'-2"	5"	1'-2"	28'-7"	
	V _B	4	STR			1'-2"	9'-0"	
	H _B	4	STR			AS SHOWN		
	T _B	4	STR			4'-8"	20'-5"	

BAR TYPES



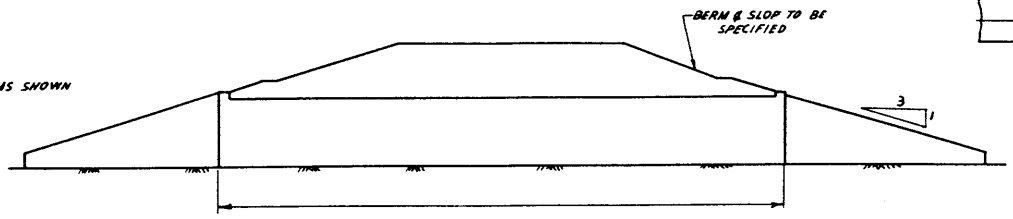
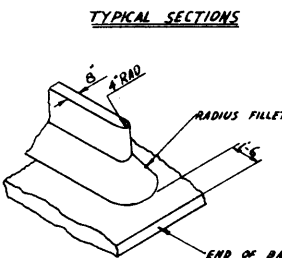
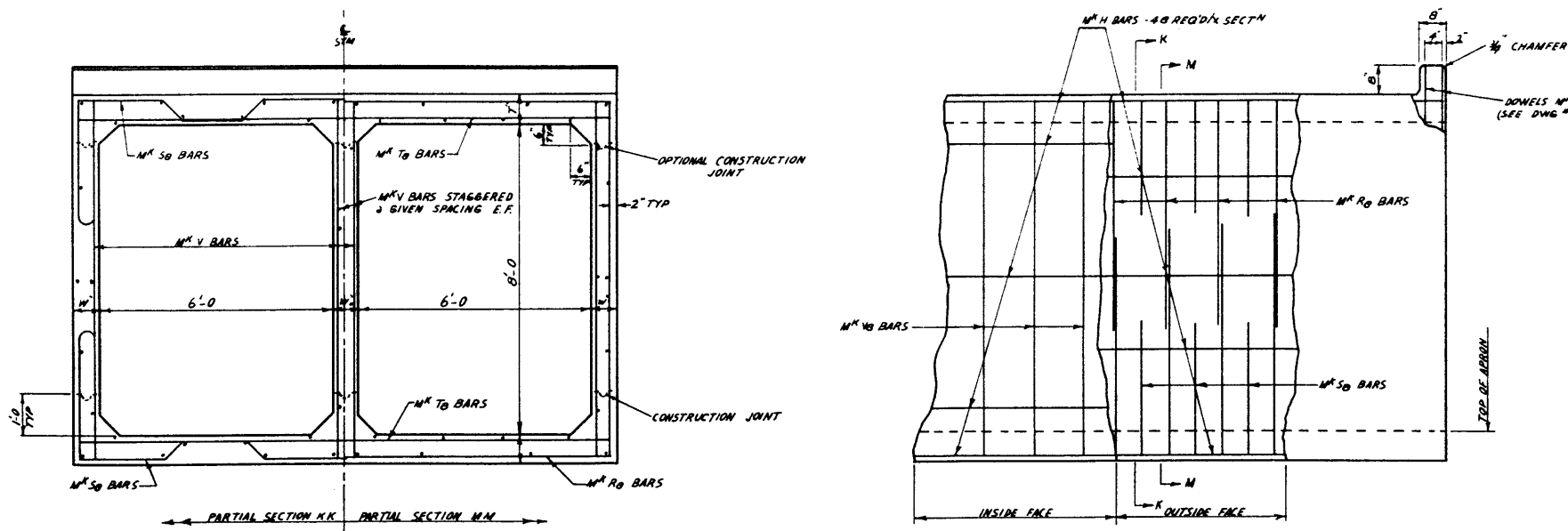
- NOTES
- 1 BAR DIMENSIONS OUT TO OUT
 - 2 FOR DETAILS OF APRONS & WING WALLS SEE DWG. # 5.592
 - 3 ALL HOOKED BARS TO BE SUPPLIED WITH 'MINIMUM' HOOKS

6'x8' DOUBLE & TRIPLE CELL CULVERTS

GOVERNMENT OF THE PROVINCE OF ALBERTA
DEPARTMENT OF HIGHWAYS
BRIDGE BRANCH, EDMONTON

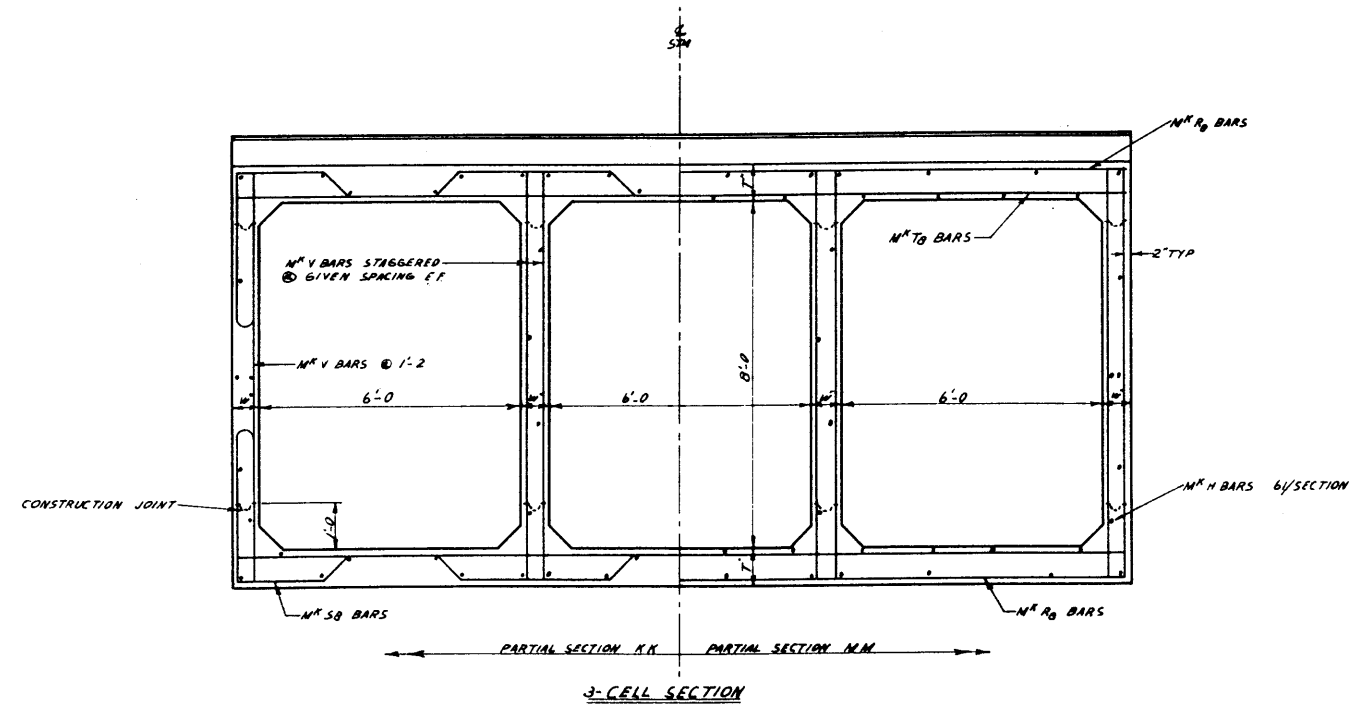
FILE NO. _____ HWY. NO. _____ DWG. NO. _____
LOCATION _____ SCALE _____ SHEET _____ OF _____
STREAM _____ SHEET _____ OF _____

5-608



VIEW SHOWING ENDS OF INNER WALL - (SIMILAR TOP & BOTTOM)

SECTION SHOWING JOINT SPACING (MAX SPACING 39'-0')



3-CELL SECTION

NO.	DATE	DESCRIPTION	BY