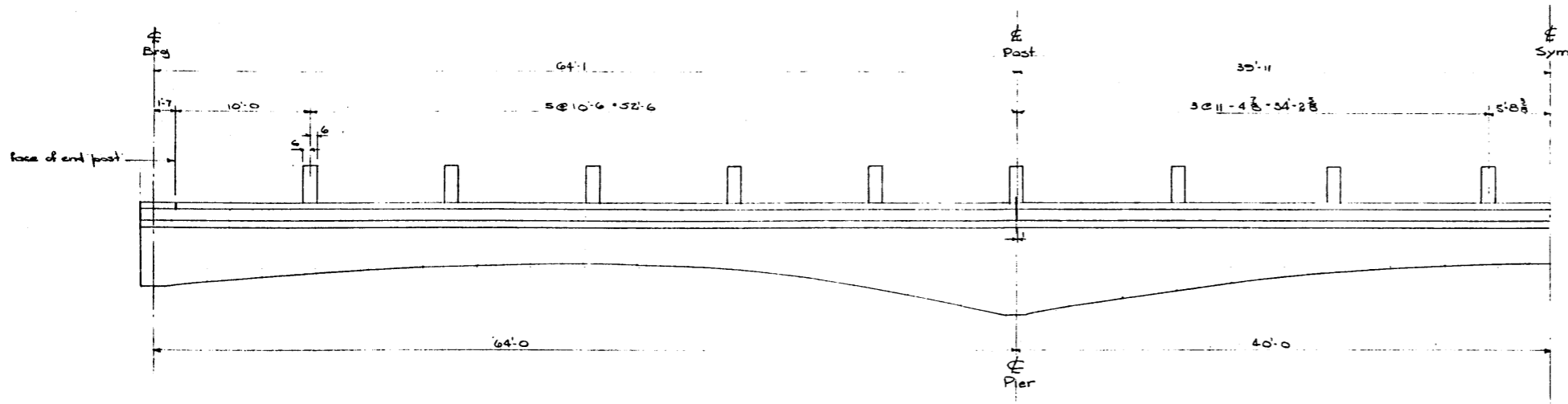
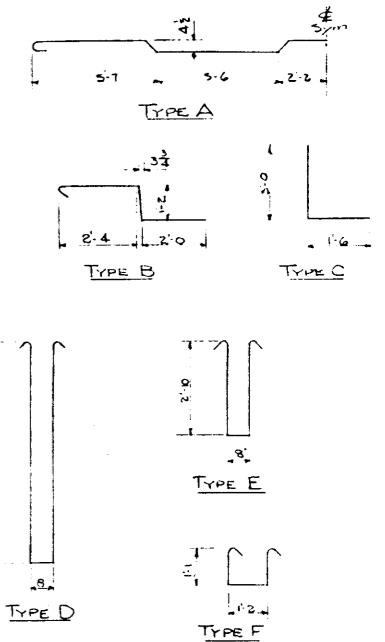
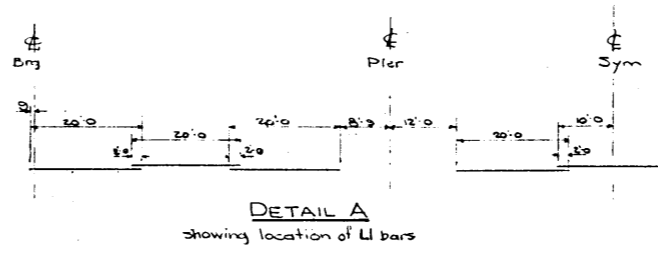
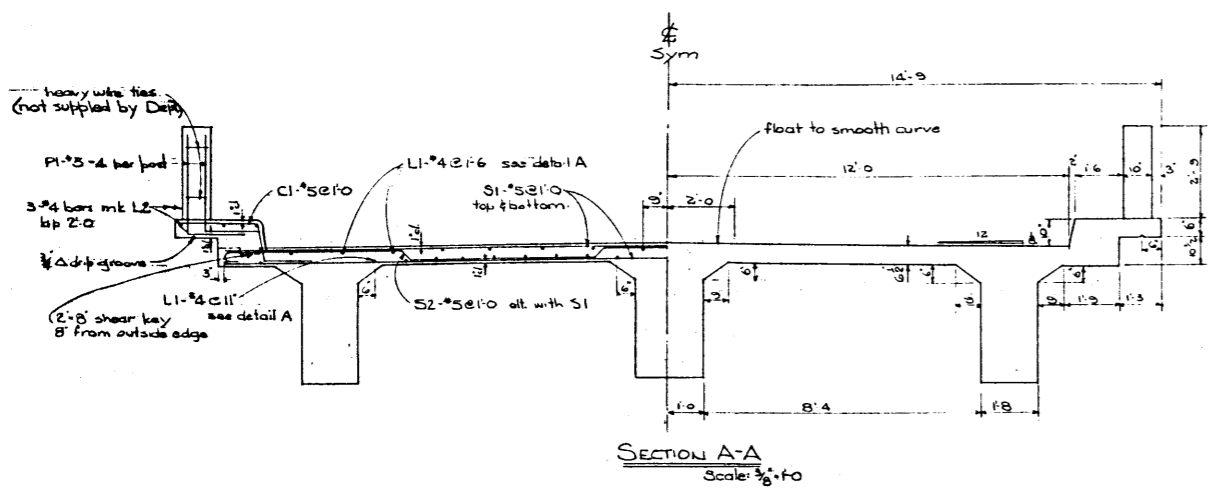


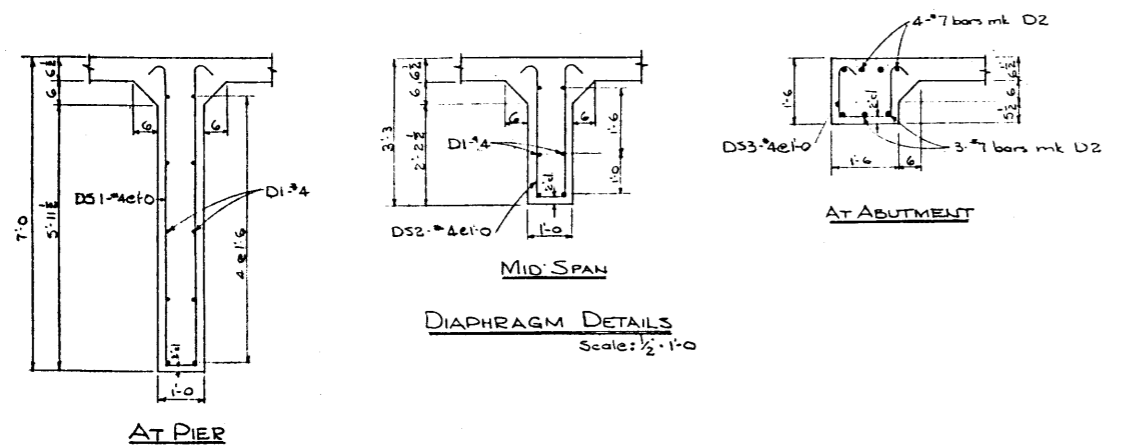
DESIGNED BY R.L.F. DATE 12-19-55
 CHECKED BY DATE



Mk	NO	SIZE	TYPE	LENGTH	WEIGHT
S1	420	5	Str	20.6	11,609
S2	209	5	A	28.4	6,176
L1	360	4	Str	20.0	4,810
C1	420	5	B	6.1	2,663
P1	144	5	C	4.6	676
DS1	44	4	D	18.2	534
DS2	66	4	E	7.2	316
DS3	44	4	F	4.2	122
D1	58	4	Str	21.6	546
D2	14	7	Str	21.6	615
L2	66	4	Str	21.0	926
Total:					28,553



BAR TYPES
 bar types B,D,E,F to have stirrup hooks
 - dimensions are out to out



STANDARD 64-80-64
 CONCRETE GIRDER BRIDGE
 SLAB DETAILS

GOVERNMENT OF THE PROVINCE OF ALBERTA
 DEPARTMENT OF HIGHWAYS
 BRIDGE BRANCH, EDMONTON

FILE NO. _____ HWY. NO. _____ DWG. NO. S-611
 LOCATION _____ SCALE _____ SHEET 2 OF 3
 STREAM _____

NO.	DATE	DESCRIPTION	BY

WT & U RECORD CENTRE