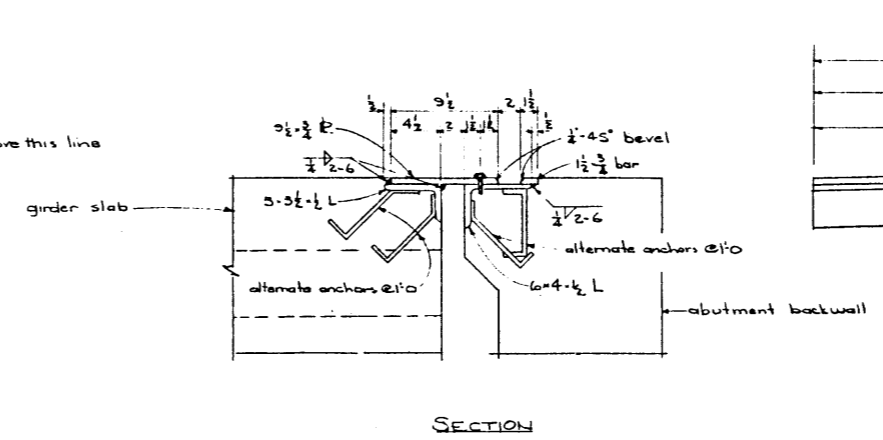
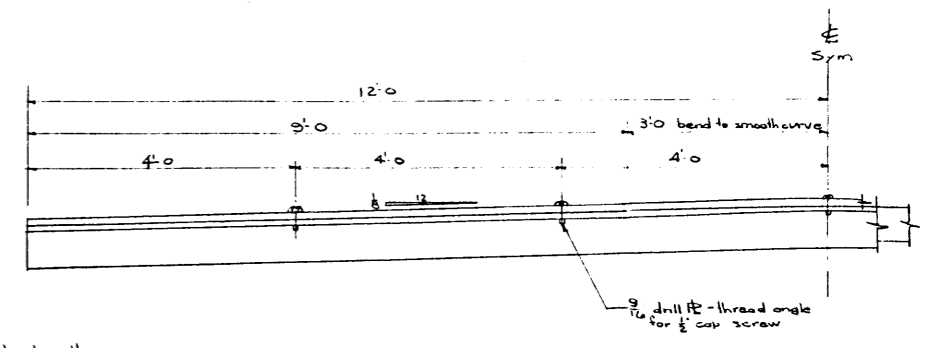


ABUTMENT BEARINGS
Scale: 1/2" = 1'-0"
2 interior req'd
4 exterior req'd



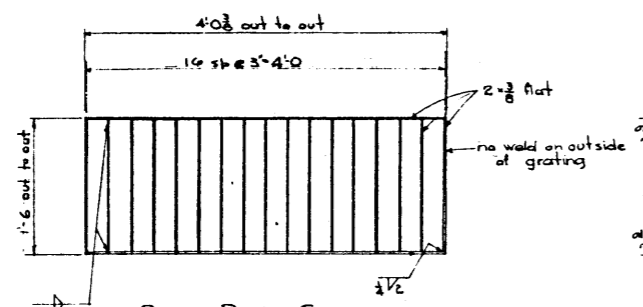
SECTION



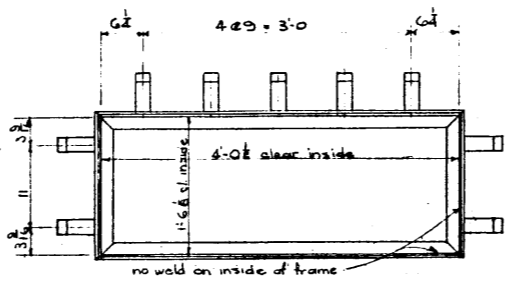
ELEVATION

EXPANSION JOINT DETAILS
2 req'd NTS.

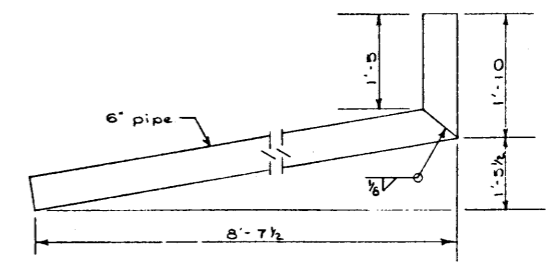
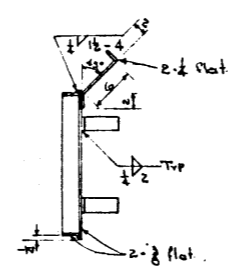
ANCHORS to be made of 1/2-2 straps 10' long with 2 legs bent at each end - fillet weld to angles with 2-3/16-2 welds



CATCH BASIN GRATING
Scale: 1" = 1'-0"
2 req'd



GRATING FRAME
Scale: 1" = 1'-0"
2 req'd



CATCH BASIN DRAIN PIPE DETAILS
Scale: 3/4" = 1'-0"
2 Req'd

DESIGNED BY _____ DATE _____
 DETAILED BY RLF DATE Aug 2 1955
 CHECKED BY _____ DATE _____

Miscellaneous Iron 5374 lb

**STANDARD G4-80-64
CONCRETE GIRDER BRIDGE
MISCELLANEOUS DETAILS**



GOVERNMENT OF THE PROVINCE OF ALBERTA
DEPARTMENT OF HIGHWAYS
BRIDGE BRANCH, EDMONTON

NO.	DATE	DESCRIPTION	BY
1	April 4/56	Catch Basin Drain Pipe Details	SGW
REVISIONS			

FILE NO. _____ HWY. NO. _____ DWG. NO. 5612
 LOCATION _____ SCALE _____
 STREAM _____ SHEET 3 OF 3

AT & U. - RECORDS CENTRE
7160750