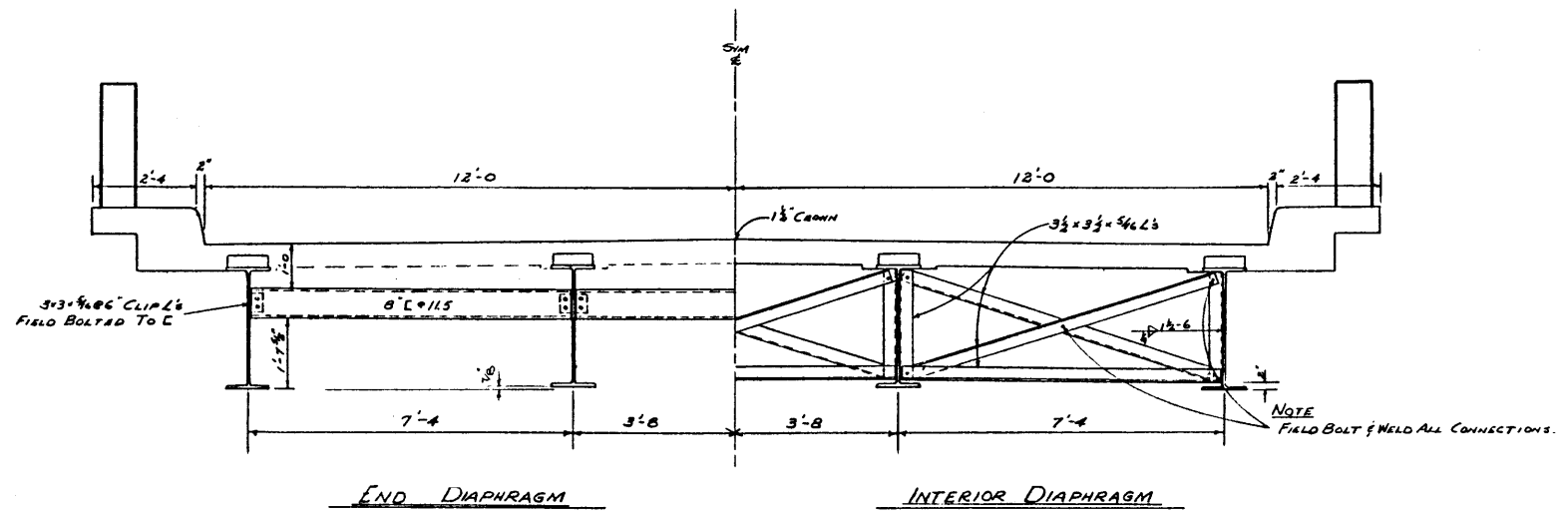
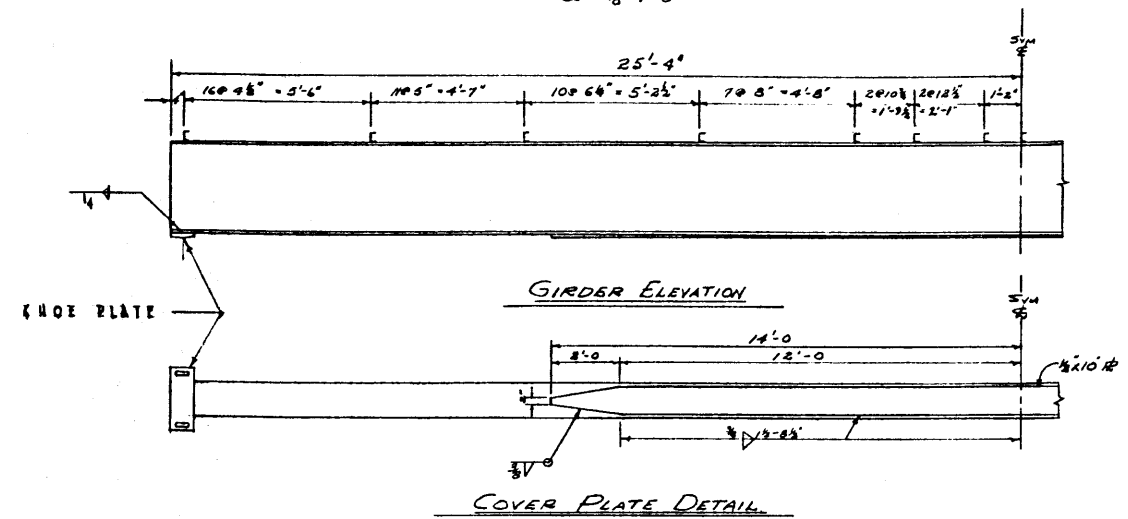


QUARTER PLAN  
 25'-4"  
 25'-0"  
 7'-4"
 7'-4"
 33 WF 130  
 33 WF 130

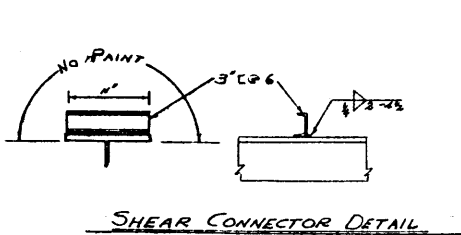


END DIAPHRAGM  
 INTERIOR DIAPHRAGM

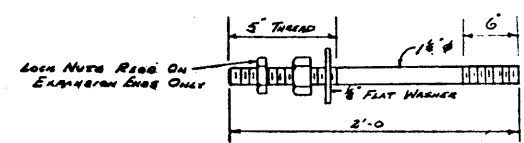


GIRDER ELEVATION

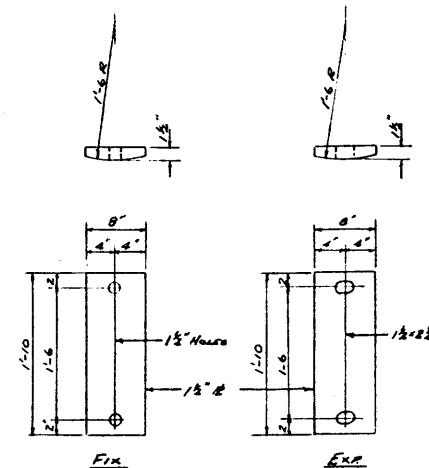
COVER PLATE DETAIL



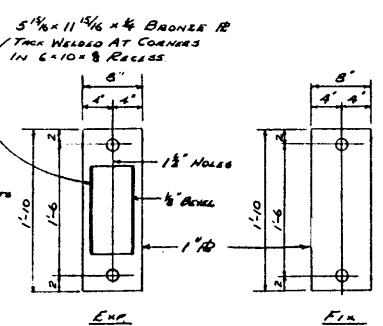
SHEAR CONNECTOR DETAIL



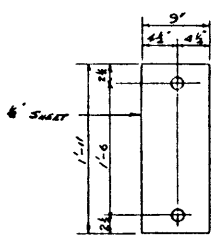
ANCHOR BOLT  
 16 REQ'D



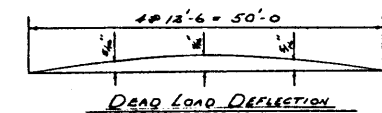
SHOE PLATES  
 4 EACH REQ'D



BED PLATES  
 4 EACH REQ'D



SHEET LEAD  
 8 REQ'D



DEAD LOAD DEFLECTION

NOTES  
 SPEC - AASHO 1953  
 LOADING - H20-S16-44  
 25 PSF WEARING SURFACE  
 PAINT - 1 COAT RED LEAD EXCEPT WHERE NOTED  
 EST. WEIGHT - 32500 LB

DESIGNED BY  
 DATE  
 DETAILED BY  
 DATE  
 CHECKED BY  
 DATE

STANDARD 24' ROWY ~ 50' SPAN  
 COMPOSITE GIRDER DETAILS

GOVERNMENT OF THE PROVINCE OF ALBERTA  
 DEPARTMENT OF HIGHWAYS  
 BRIDGE BRANCH, EDMONTON

FILE NO. \_\_\_\_\_ HWY. NO. \_\_\_\_\_ DWG. NO. \_\_\_\_\_  
 LOCATION \_\_\_\_\_ SCALE \_\_\_\_\_ SHEET \_\_\_\_\_ OF \_\_\_\_\_  
 STREAM \_\_\_\_\_

NO.	DATE	DESCRIPTION	BY
1	NOV 4/55	CHANGED FROM 14800 TO 615	DLZ

AT & U - RECORDS OFFICE  
 1100737