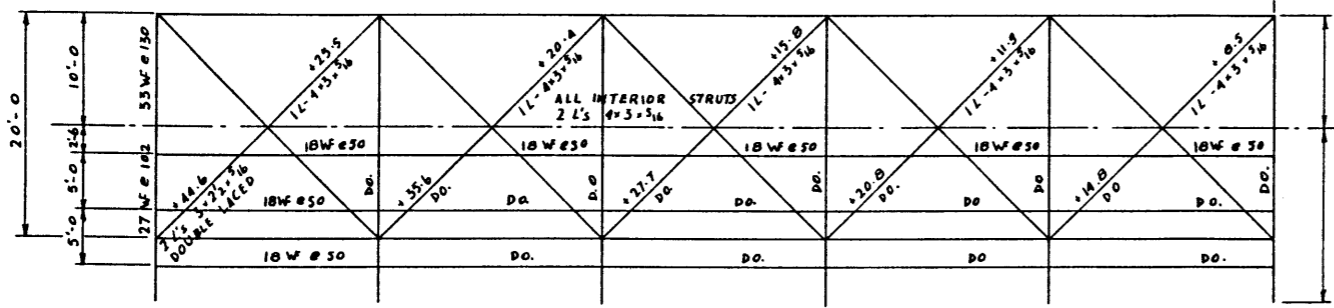
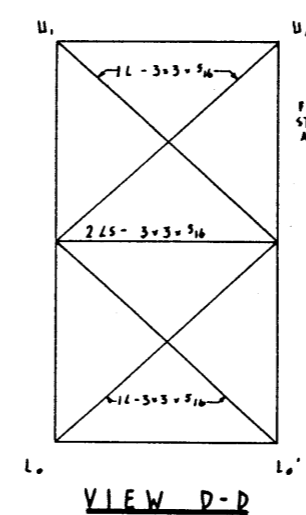


NOTE:
STRESS IN KIPS
+ DENOTES TENSION
- DENOTES COMPRESSION

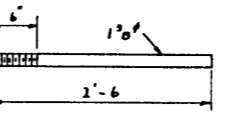
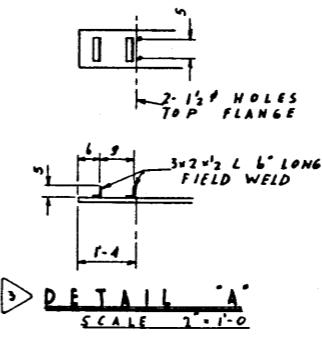
TRUSS DESIGN
SCALE - 1/4" = 1'-0"



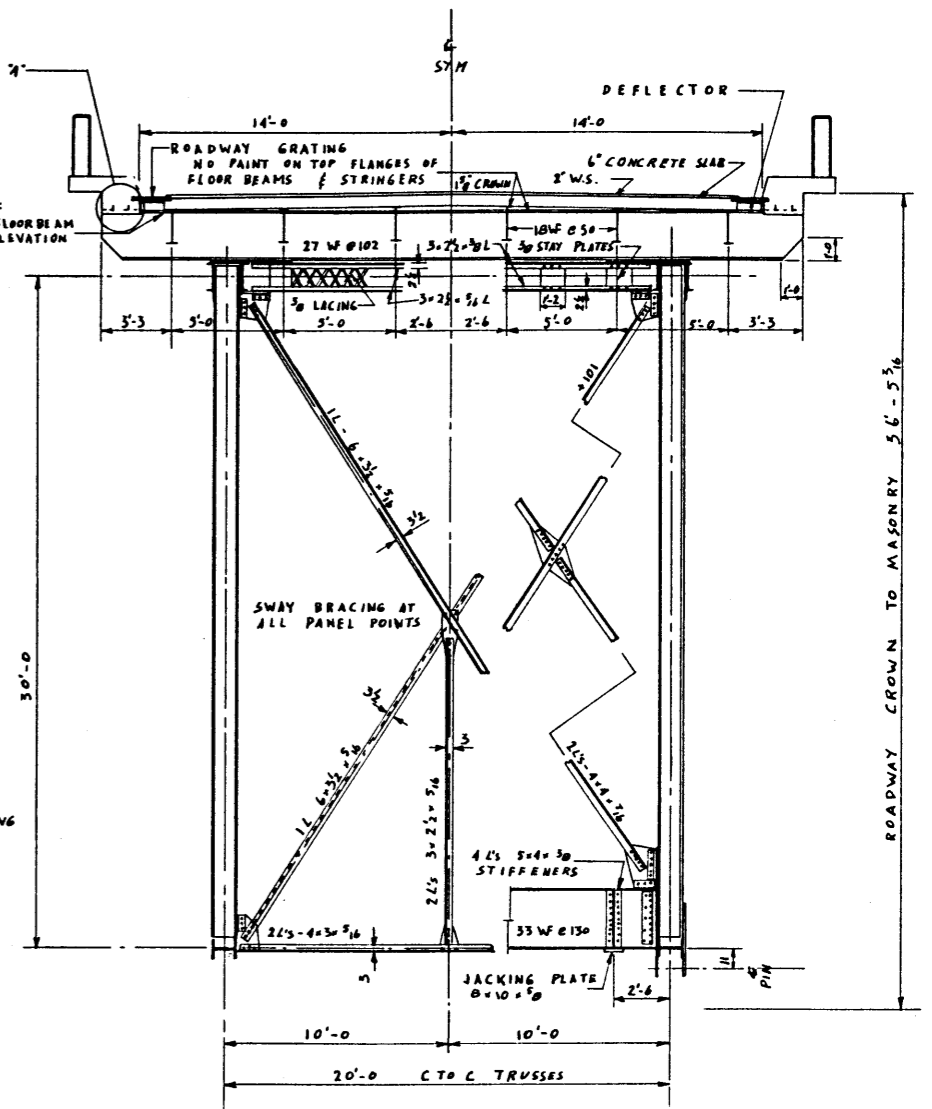
FLOOR SYSTEM AND TOP AND BOTTOM LATERALS
SCALE - 1/4" = 1'-0"



VIEW D-D



ANCHOR BOLT
1/2" DIA. - NUT & WASHER TO BE SUPPLIED



HALF INTERMEDIATE SECTION HALF END SECTION

GENERAL NOTES

DEAD LOAD	CONCRETE	1600
	ASPHALT	350
	FLOOR STEEL & FENCE	285
	TRUSS & BRACING	868
	TOTAL	3103 1/2 FT. OF TRUSS
LIVE LOAD	FLOOR - 2 STD. H.L.O. - 516 TRUCKS	
	TRUSS	640 1/2 LIN. FT. OF LOAD LANE COMBINED WITH 1/2 LANE FOR MOMENT OR 2 1/2 LANE FOR SHEAR + IMPACT
SPECIFICATIONS	A.A.S.H.O. 1983	
	RYLVETS	7/8" FOR MAIN MEMBERS, 3/4" FOR BRACING
	GUSSETS	5/8" THICK MINIMUM EXCEPT 5/16" FOR BRACING
	PAINT	ALL STEELWORK ONE SHOP COAT RED LEAD EXCEPT AS NOTED FOR FULL DEAD LOAD + 1/2 LIVE LOAD WITHOUT IMPACT
	CAMBER	350 1/2 LIN. FT. TOP CHORD
	WIND LOAD	200 1/2 LIN. FT. BOTTOM CHORD

STRINGERS
D.L. MOMENT 37.5
L.L.+I MOMENT 184
SR 131.5 x 12 = 07.5

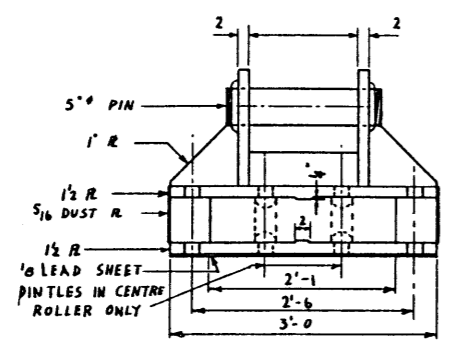
FLOOR BEAMS
D.L. MOMENT 47
L.L.+I MOMENT 342
SR 389 x 12 = 260

JACKING GIRDER
27W#102
JACKING LOAD 310
MOMENT 310 x 2.5 = 775
SR = 775 x 12 = 349

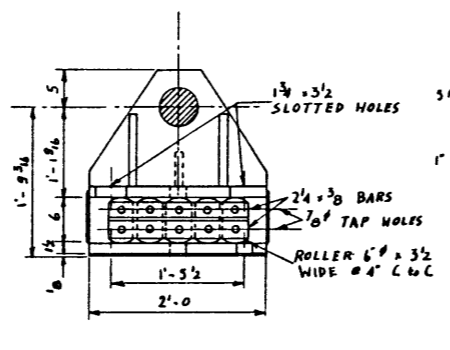
BEARING
SHEAR AR = 310 = 10.8
33W#150
SS = 409.8
AS = 19.2

BEARING
6" ROLLERS 436.4 = 127 NET LIN. 3.6 IN. REQ'D

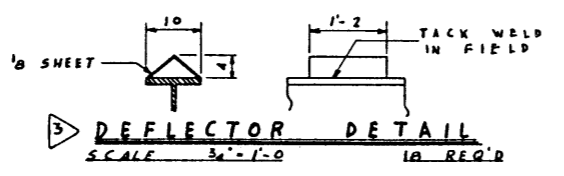
PIN BEARING
BEARING R 456.4 SQ. IN. MIN
PIN BEARING
BEARING AR 456.4 = 19.0
AS = 20.0
SHEAR AR = 456.4 = 16.9
AS = 2773.3
BENDING AS = 19.6
SS = 12.5



EXPANSION BEARING DETAILS
SCALE 1" = 1'-0"



FIXED BEARING DETAILS
SCALE 1" = 1'-0"



DEFLECTOR DETAIL
SCALE 3/4" = 1'-0"

DATE	NO. OF SPANS	LOCATION	NO.	DATE	DESCRIPTION	BY
			1	1/16/87	RETRACED	FAM
			2			
			3			
			4			

200' DECK TRUSS
30'-0" CHORD DEPTH
STRESSES - SECTIONS - DETAILS

GOVERNMENT OF THE PROVINCE OF ALBERTA
DEPARTMENT OF HIGHWAYS
BRIDGE BRANCH, EDMONTON

FILE NO. _____ HWY. NO. _____ DWG. NO. **5615**
LOCATION _____ SCALE _____
STREAM _____ SHEET _____ OF _____