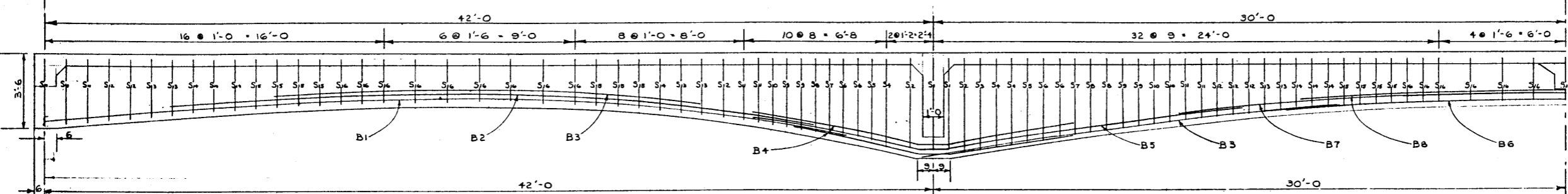
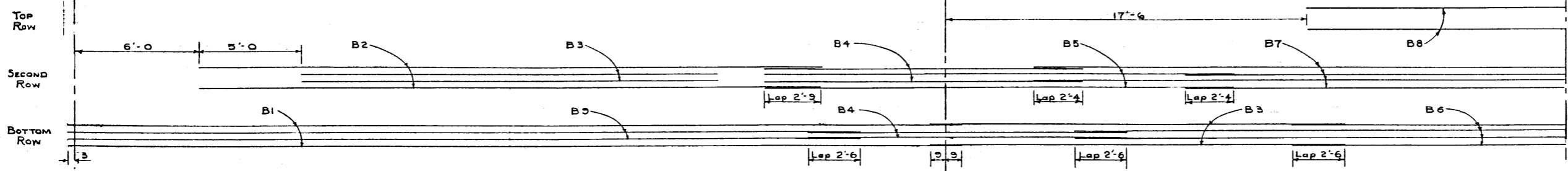


**GIRDER PLAN**  
SHOWING LONGITUDINAL STEEL IN TOP OF SLAB  
Scale: 1/8" = 1'-0"



**ELEVATION**  
SHOWING POSITIVE STEEL AND STIRRUPS  
Scale: 3/8" = 1'-0"

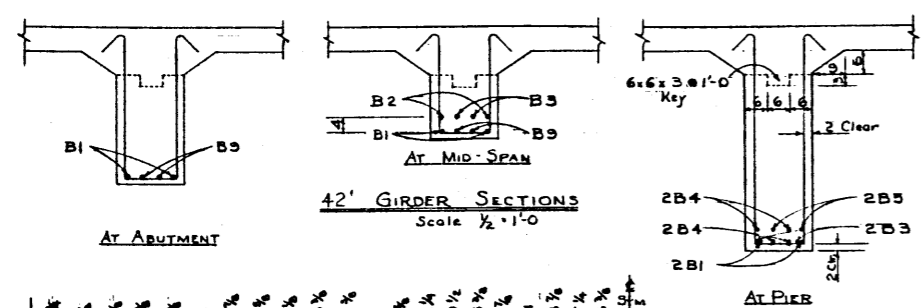
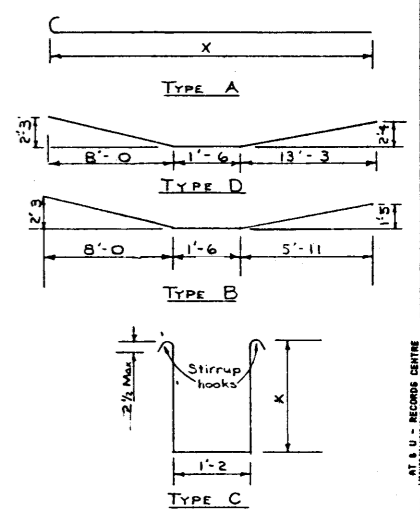


**POSITIVE REINFORCING**  
Scale: 3/8" = 1'-0"

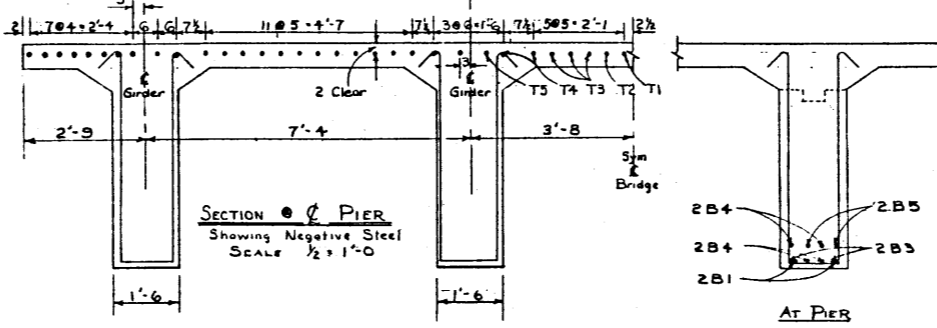
**BAR LIST - 4 GIRDERS**

Mk.	No.	Size	Type	'X'	LENGTH	WEIGHT
T1	16	9	Str.		20'-0	1088
T2	16	9	Str.		30'-0	1632
T3	48	9	Str.		40'-0	6528
T4	32	9	Str.		50'-0	5440
T5	16	9	Str.		60'-0	3244
S1	16	4	C	4'-9	11'-4	121
S2	16	4	C	4'-7	11'-0	118
S3	8	4	C	4'-5	10'-8	57
S4	24	4	C	4'-3	10'-4	166
S5	16	4	C	4'-1	10'-0	107
S6	32	4	C	3'-11	9'-8	207
S7	16	4	C	3'-9	9'-4	100
S8	24	4	C	3'-7	9'-0	144
S9	32	4	C	3'-5	8'-8	185
S10	24	4	C	3'-3	8'-4	134
S11	36	4	C	3'-1	8'-0	299
S12	48	4	C	2'-11	7'-8	246
S13	48	4	C	2'-9	7'-4	235
S14	56	4	C	2'-7	7'-0	262
S15	88	4	C	2'-5	6'-8	392
S16	124	4	C	2'-3	6'-4	324
B1	16	11	A	43'-7	45'-0	3825
B2	16	11	Str.		30'-0	2550
B3	32	11	Str.		20'-0	3400
B4	32	11	B		16'-0	2720
B5	16	11	D		23'-4	1982
B6	16	11	Str.		37'-0	3145
B7	16	11	Str.		44'-0	3740
B8	8	10	Str.		25'-0	861
B9	16	11	A	38'-7	40'-0	3400
Total						46872

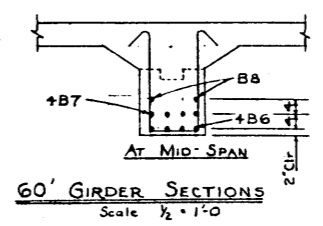
**BAR TYPES**



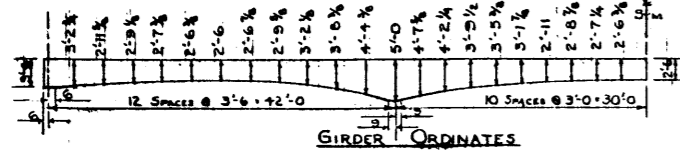
**42' GIRDER SECTIONS**  
Scale: 1/2" = 1'-0"



**SECTION @ PIER**  
Showing Negative Steel  
Scale: 1/2" = 1'-0"



**60' GIRDER SECTIONS**  
Scale: 1/2" = 1'-0"



**GIRDER ORDINATES**

**QUANTITY ESTIMATES**

ITEM	QUANTITY	UNIT
Reinforcing Steel	46,872	Lbs.
Concrete Class B	109	Cu. Yds.

NO.	DATE	DESCRIPTION	BY

STANDARD 42-60-42  
24'-0 Rdwy.  
**CONCRETE GIRDER BRIDGE**  
GIRDER DETAILS

GOVERNMENT OF THE PROVINCE OF ALBERTA  
DEPARTMENT OF HIGHWAYS  
BRIDGE BRANCH, EDMONTON

FILE NO. \_\_\_\_\_ HWY. NO. \_\_\_\_\_ DWG. NO. S617  
LOCATION \_\_\_\_\_ SCALE As Shown  
STREAM \_\_\_\_\_ SHEET 1 OF 4

DESIGNED BY: S.G.V.  
DATE: DEC 1933  
CHECKED BY: \_\_\_\_\_  
DATE: \_\_\_\_\_

ALBERTA RECORDS CENTRE  
1187471