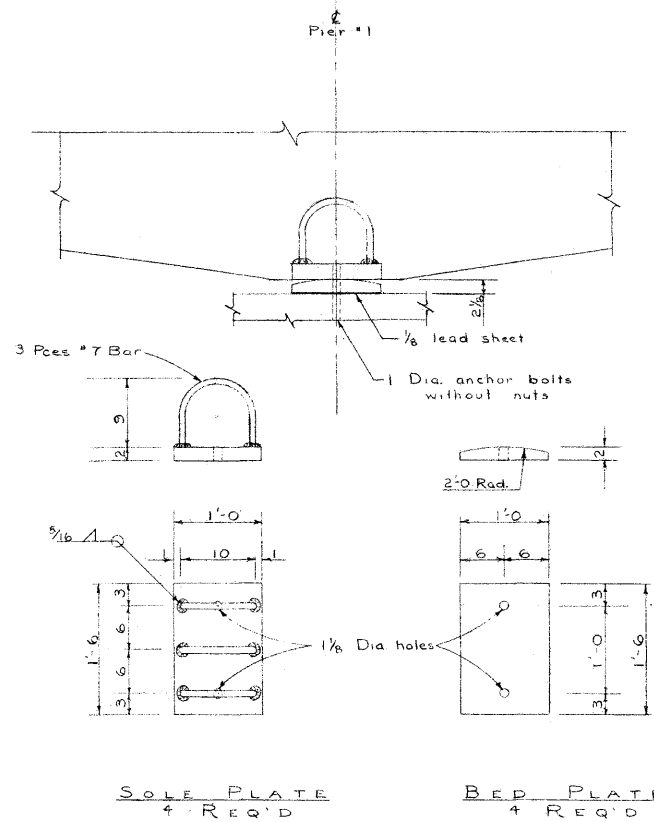
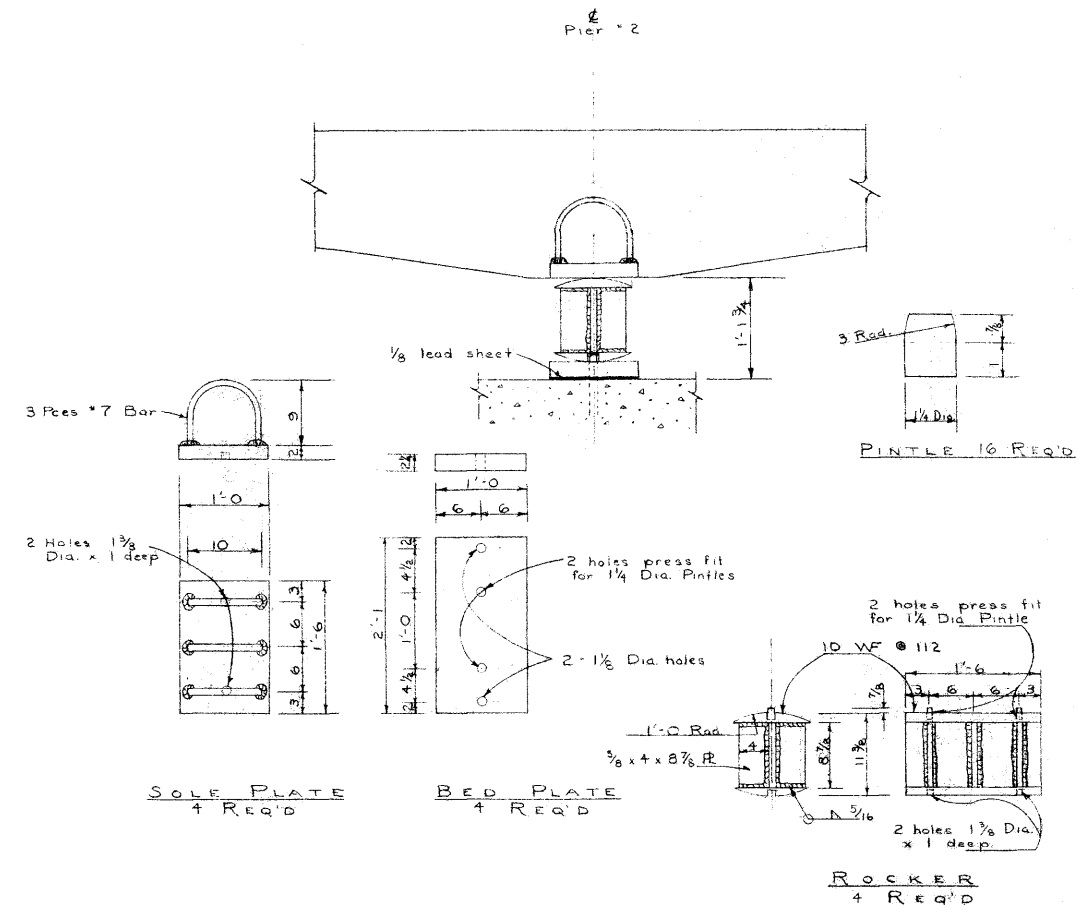


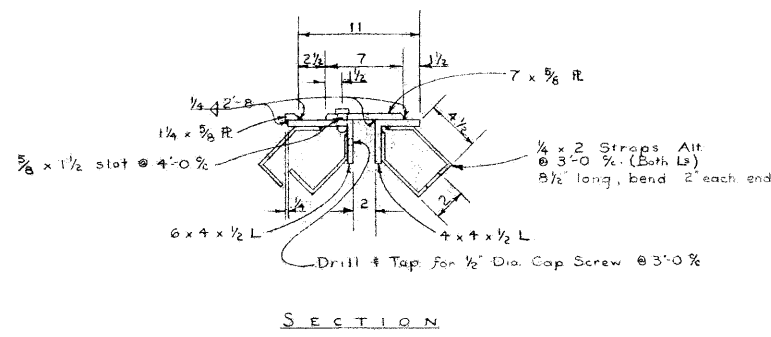
ABUTMENT BEARING DETAILS
Scale 1" = 1'-0"



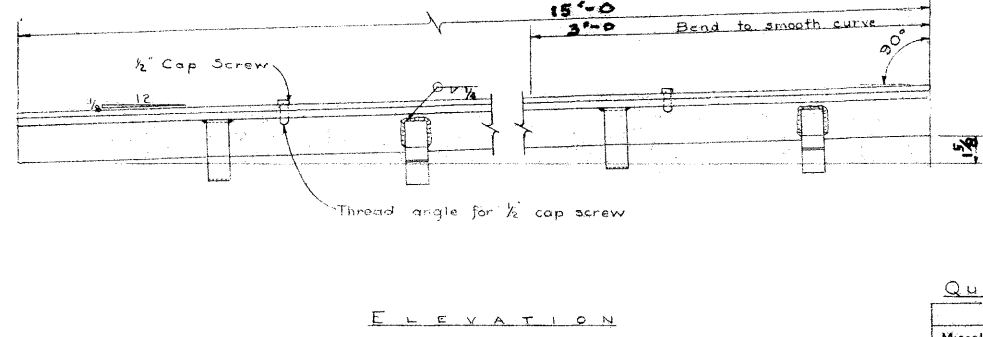
FIXED PIER BEARING DETAILS
Scale 1" = 1'-0"



EXPANSION PIER BEARING DETAILS
Scale 1" = 1'-0"



EXPANSION PLATE
Scale 1/2" = 1'-0"
REQ'D as drawn - REQ'D opp. hand

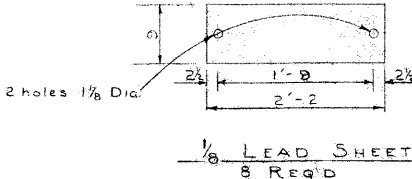
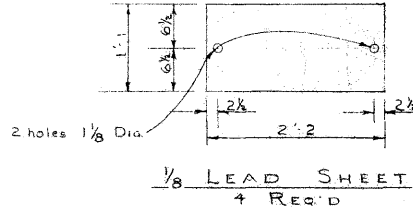
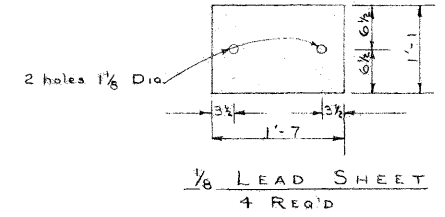


QUANTITY ESTIMATE

ITEM	QUANTITY	UNIT
Miscellaneous Iron	7,292	Lbs

ANCHOR BOLTS
32 REQ'D
32 1" Nuts REQ'D
32 1" Lock Nuts REQ'D

NOTE:
• All steelwork not in contact with concrete one coat red lead in shop.
• Field paint - 2 coats aluminum.



REVISIONS

NO.	DATE	DESCRIPTION	BY
4			
3			
2			
1			

STANDARD 42-60-42
30-0 RDWY
CONCRETE GIRDER BRIDGE
MISCELLANEOUS DETAILS

GOVERNMENT OF THE PROVINCE OF ALBERTA
DEPARTMENT OF HIGHWAYS
BRIDGE BRANCH, EDMONTON

FILE NO. _____ HWY. NO. _____ DWG. NO. _____
LOCATION _____ SCALE As Shown _____ SHEET _____ OF _____
STREAM _____

DESIGNED BY _____
DATE _____
DETAILED BY S.S.W.
DATE Jan 9 1956
CHECKED BY _____
DATE _____