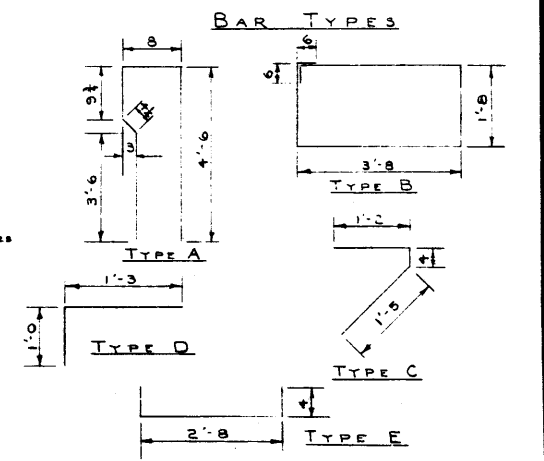


BAR LIST - 2 ABUTMENTS

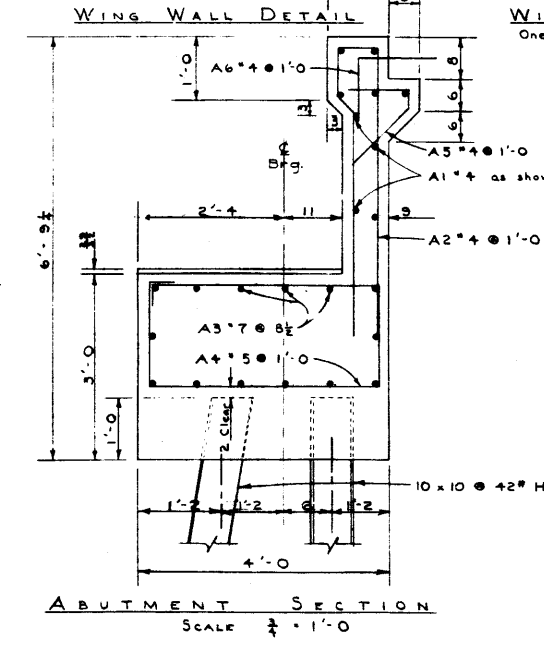
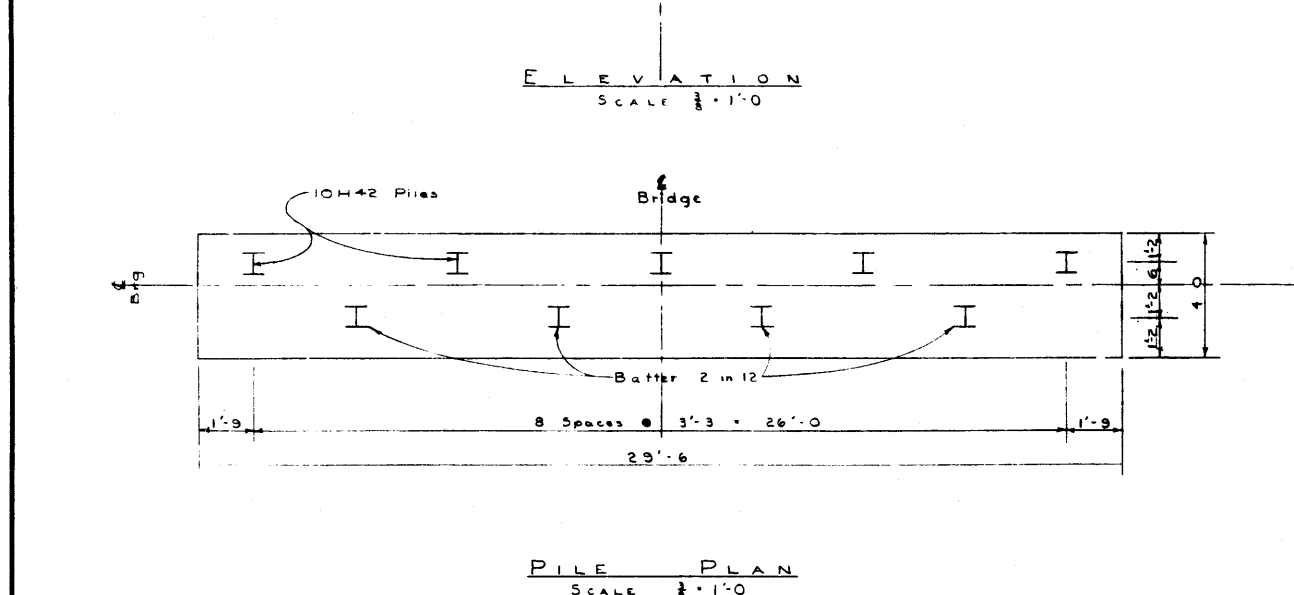
MARK	SIZE	No	TYPE	"X"	LENGTH	WEIGHT
A1	4	18	Str		29'-0	349
A2	4	54	A		9'-10	355
A3	7	28	Str		29'-0	1660
A4	5	54	B		11'-8	657
A5	4	54	C		2'-11	105
A6	4	54	D		2'-3	81
W1	4	32	Str		10'-0	214
W2	4	8	Str		9'-4	50
W3	5	8	Str		13'-5	112
W4	4	8	Str		6'-0	32
W5	4	8	Str		4'-9	25
W6	4	8	Str		3'-6	19
W7	5	8	Str		12'-3	102
W8	5	8	Str		9'-4	78
W9	5	16	Str		9'-9	163
W10	5	8	Str		8'-9	73
W11	5	8	Str		7'-9	65
W12	5	8	Str		6'-9	56
W13	5	8	Str		5'-9	56
W14	5	8	Str		4'-9	40
W15	5	8	Str		12'-0	100
A51	4	32	Str		29'-0	620
A52	6	106	Str		11'-6	1831
A53	3	24	Str			
A54	5		E		3'-4	
AC1	4	32	Str		2'-0	43



QUANTITY ESTIMATE

ITEM	QUANTITY	UNIT
Concrete Class B - 2 Abutments	44	Cu Yds
2 Approach Slabs	17	Cu Yds
Reinforcing Steel - 2 Abutments	4435	Lbs.
2 Approach Slabs		Lbs.

Trough Drain:
Concrete - Class B .055 cu yds/lin. ft.
Reinforcing Steel 8.6 lbs/lin. ft.



REVISIONS

NO.	DATE	DESCRIPTION	BY
4			
3			
2			
1			

STANDARD 42-60-42
24'-0 Rdwy.
CONCRETE GIRDER BRIDGE
ABUTMENT DETAILS

GOVERNMENT OF THE PROVINCE OF ALBERTA
DEPARTMENT OF HIGHWAYS
BRIDGE BRANCH, EDMONTON

FILE NO. _____ HWY. NO. _____ DWG. NO. _____
LOCATION _____ SCALE As Shown _____
STREAM _____ SHEET 4 OF 4 _____

DESIGNED BY: S.G.W.
DATE: Jan 12 1954
CHECKED BY: _____
DATE: _____