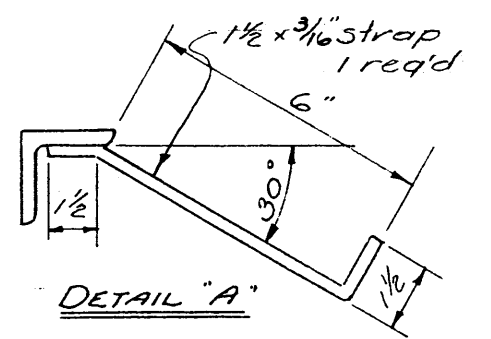
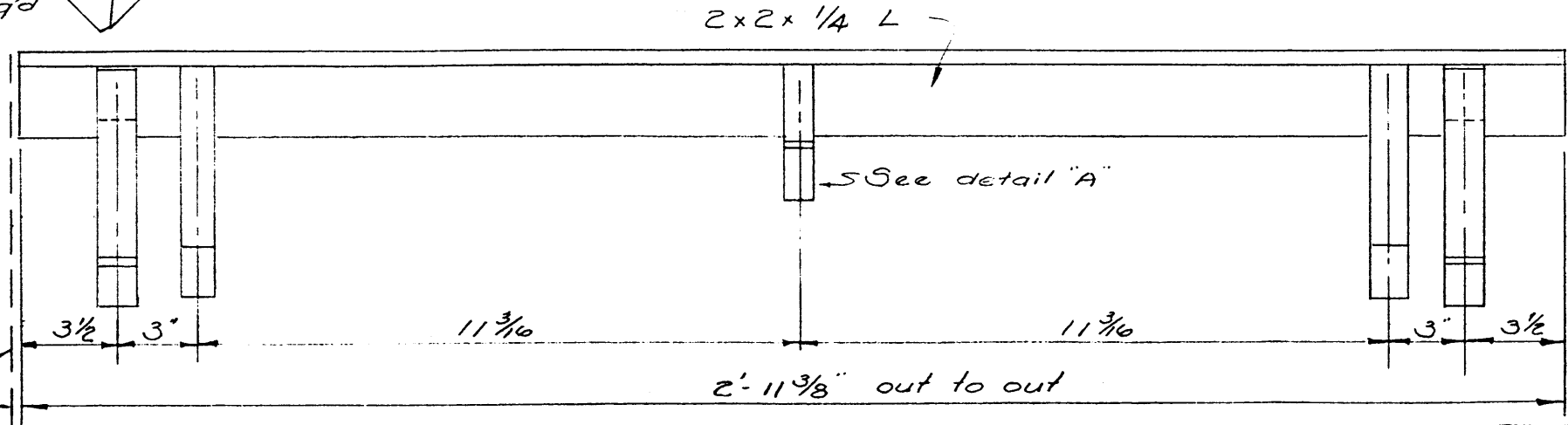
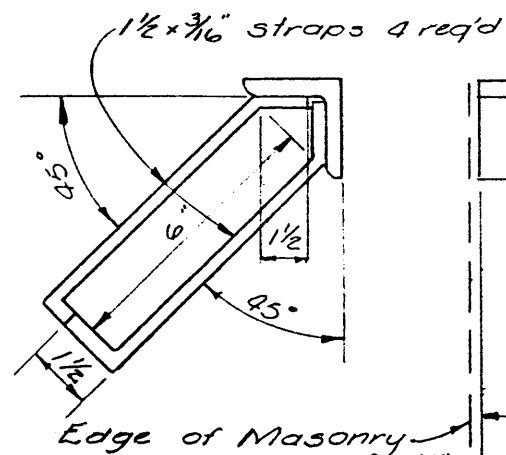


Note:

- Strap anchors to be welded to angles
- Outside face of protection angle to be placed flush with top & edge faces of stringer.



5621

PRECAST STRINGER
PROTECTION ANGLE