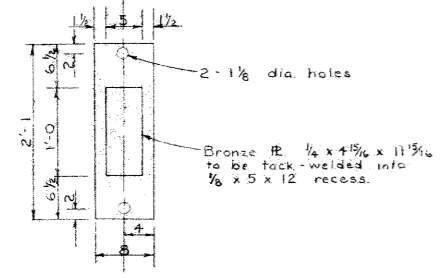
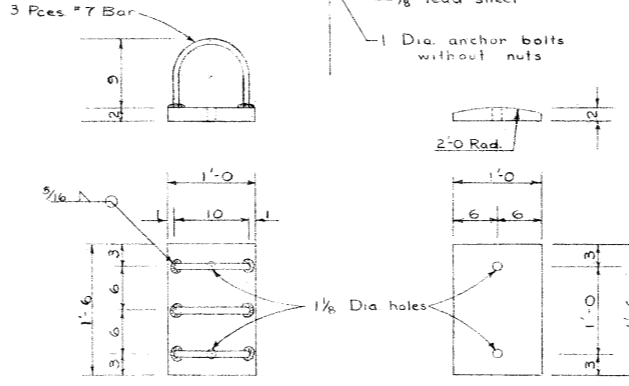
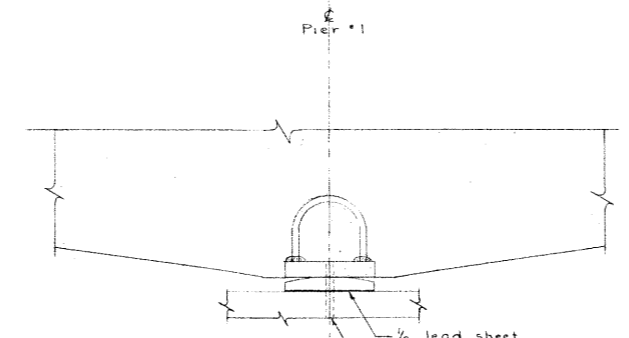


SOLE PLATE
8 REQ'D



BED PLATE
8 REQ'D

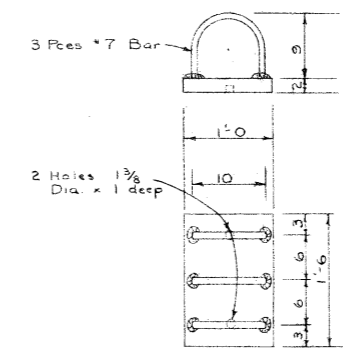
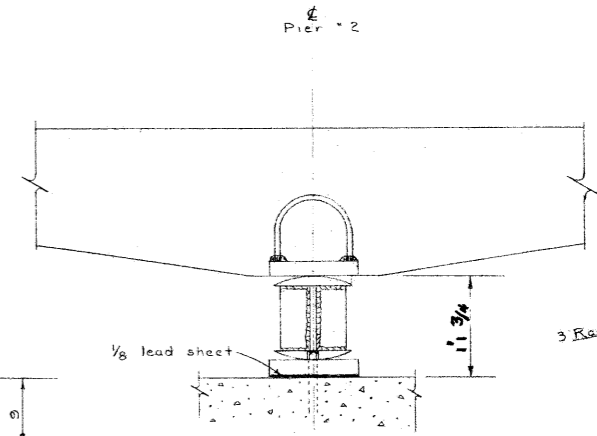
ABUTMENT BEARING DETAILS
Scale 1" = 1'-0"



SOLE PLATE
4 REQ'D

BED PLATE
4 REQ'D

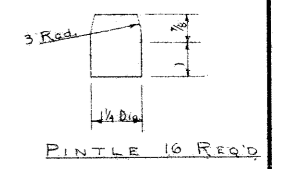
FIXED PIER BEARING DETAILS
Scale 1" = 1'-0"



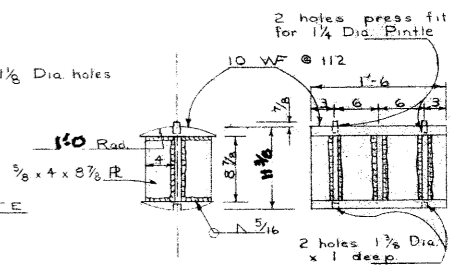
SOLE PLATE
4 REQ'D

BED PLATE
4 REQ'D

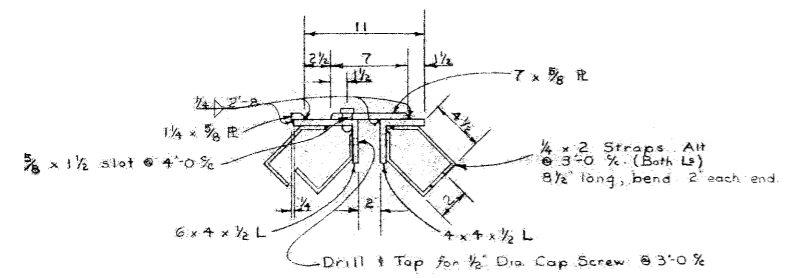
EXPANSION PIER BEARING DETAILS
Scale 1" = 1'-0"



PINTELE 16 REQ'D

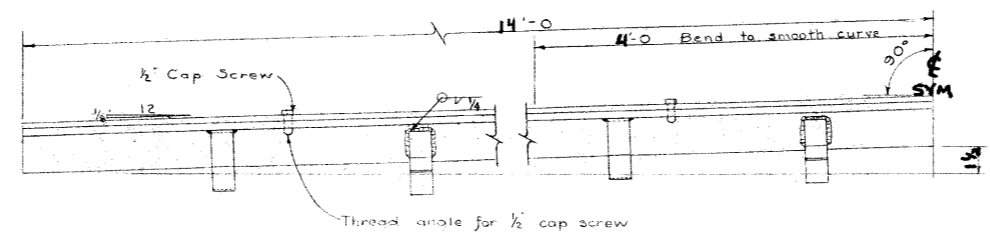


ROCKER
4 REQ'D



SECTION

EXPANSION PLATE
Scale 1 1/2" = 1'-0"
1 REQ'D as drawn - 1 REQ'D opp. hand



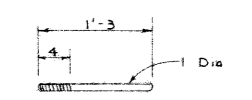
ELEVATION

QUANTITY ESTIMATE

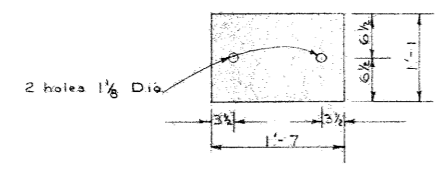
ITEM	QUANTITY	UNIT
Miscellaneous Iron	8644	Lbs

NOTE: See Drwg. 1624 for details of Nose Protection Plates. Weight of Nose Plates is included above.

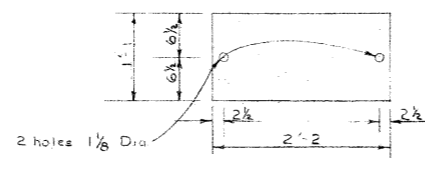
NOTE: All steelwork not in contact with concrete one coat red lead



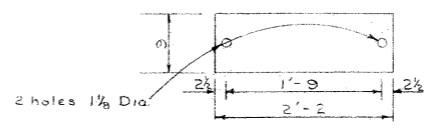
ANCHOR BOLTS
32 REQ'D
32 1" Nuts REQ'D
32 1" Lock Nuts REQ'D



1/8 LEAD SHEET
4 REQ'D



1/8 LEAD SHEET
4 REQ'D



1/8 LEAD SHEET
8 REQ'D

REVISIONS

NO.	DATE	DESCRIPTION	BY
4			
3			
2			
1			

STANDARD 42-60-42
28'-0" RDWT
CONCRETE GIRDER BRIDGE
MISCELLANEOUS DETAILS

GOVERNMENT OF THE PROVINCE OF ALBERTA
DEPARTMENT OF HIGHWAYS
BRIDGE BRANCH, EDMONTON

FILE NO. _____ HWY. NO. _____ DWG. NO. 5622
LOCATION SCALE As Shown
STREAM SHEET OF

DESIGNED BY _____ DATE Jan 30 1956
 CHECKED BY _____ DATE _____
 S.G.V.