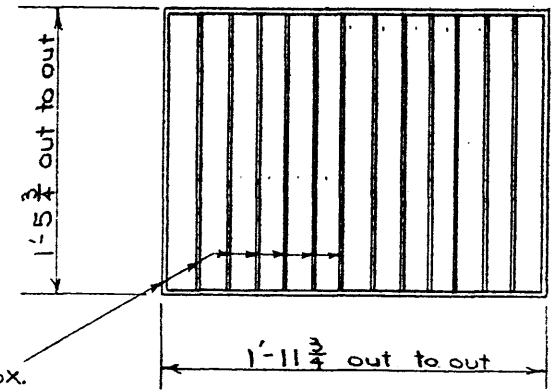
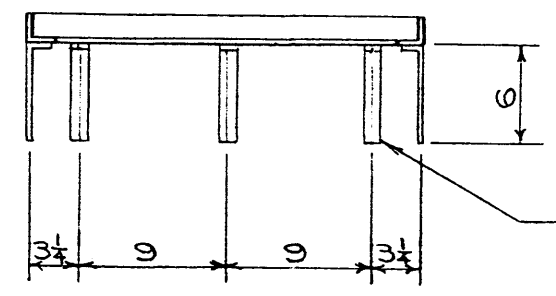


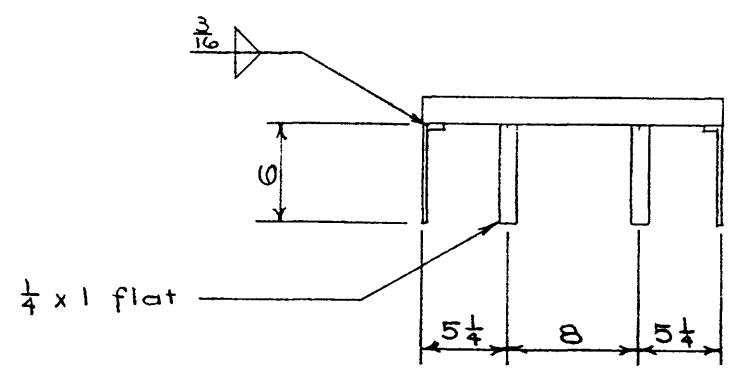
PLAN



GRATING



SECTION A-A



END VIEW

CATCH BASIN FRAME & GRATING

Scale 1" = 1'-0  
Weight 51.2#

5623

5623  
MAY 9, 1956.

S.G.W.

S-623

