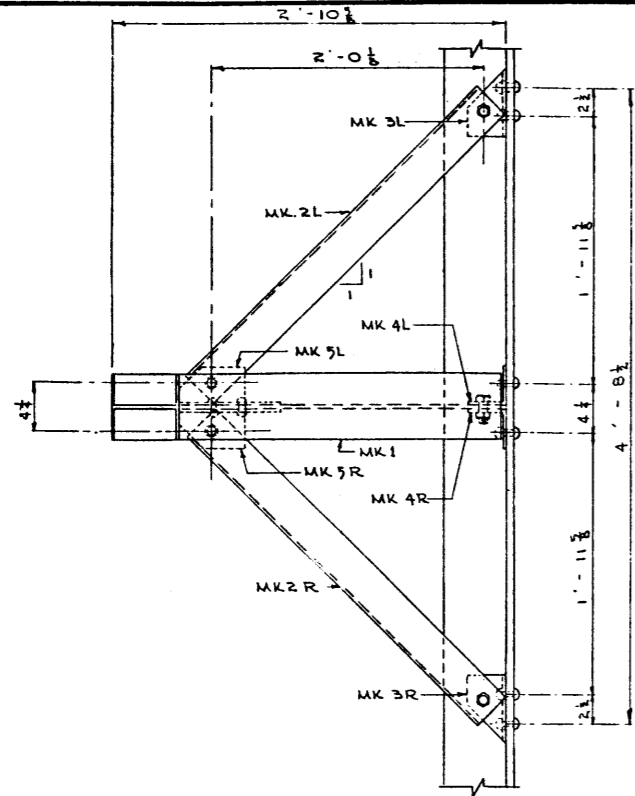
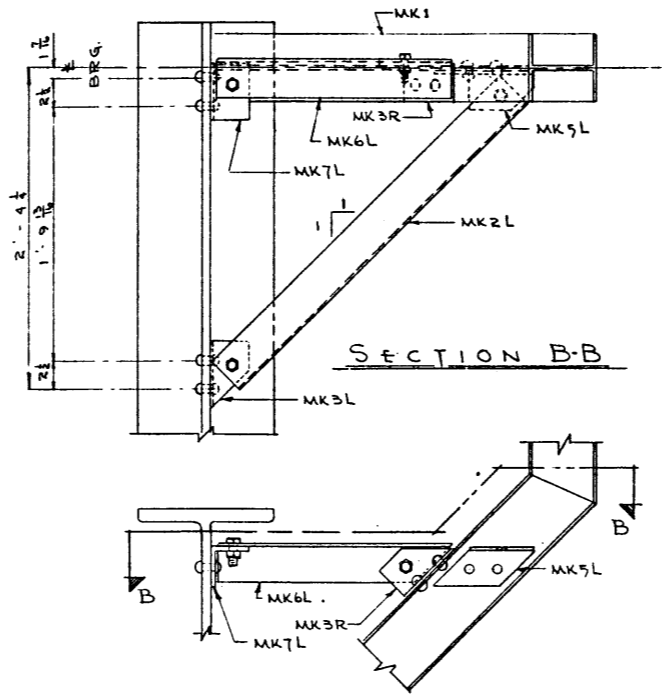


DESIGNED BY: S.G.W.
 CHECKED BY: _____
 DATE: FEB. 21, 1951

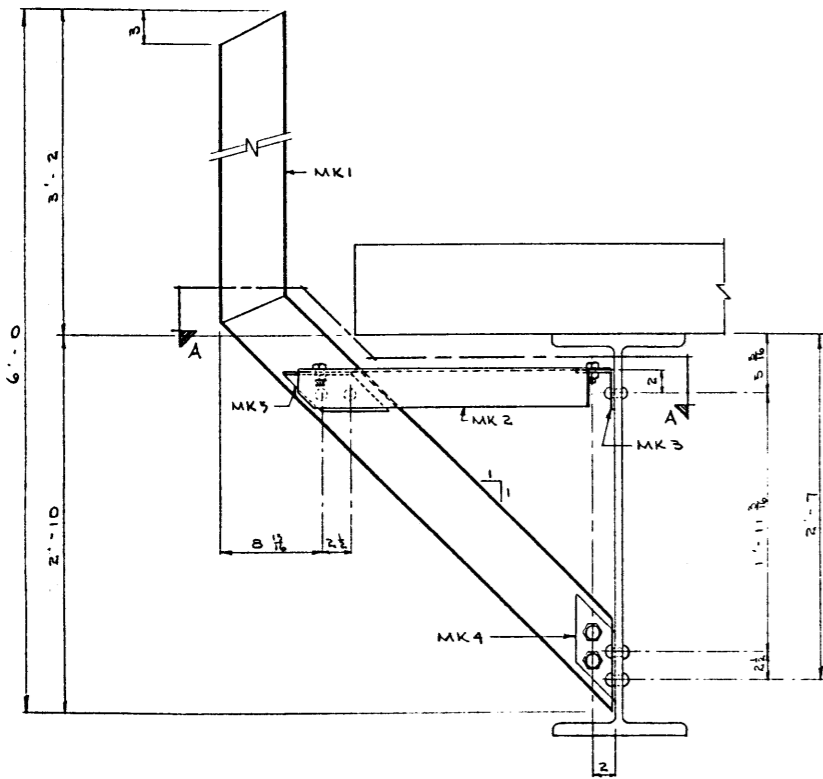


SECTION A-A



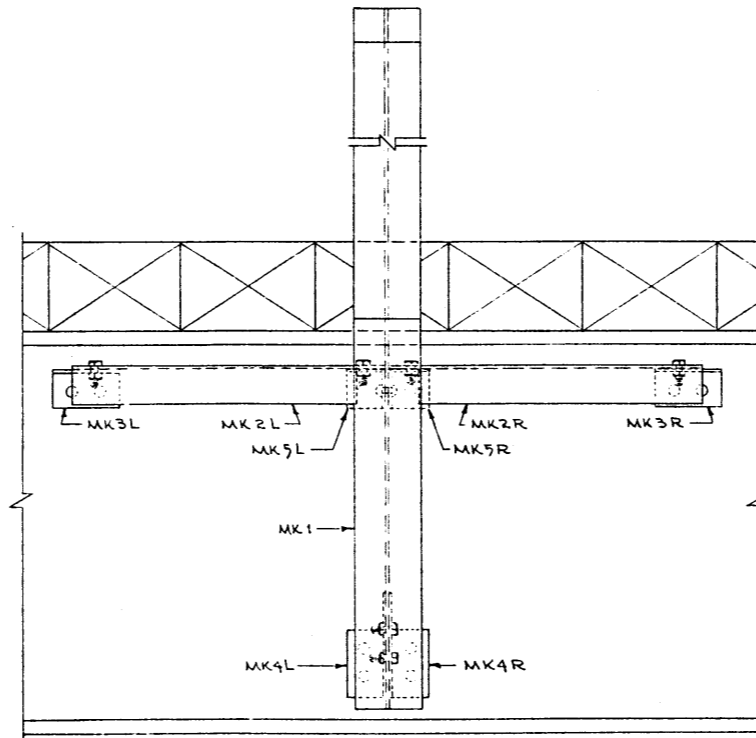
SECTION B-B

END POST BRACING DETAILS

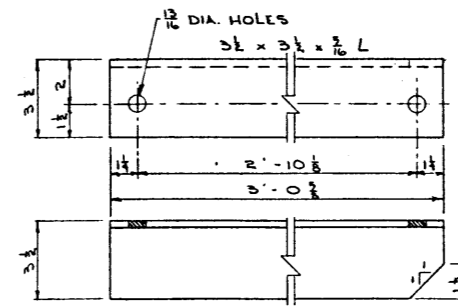


SIDE ELEVATION

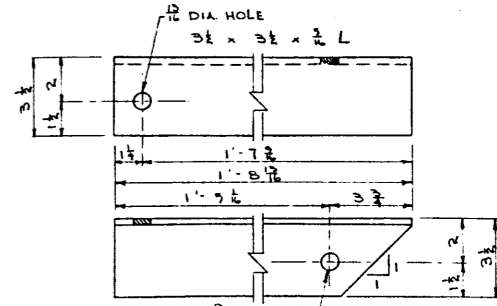
INTERIOR POST BRACING DETAILS



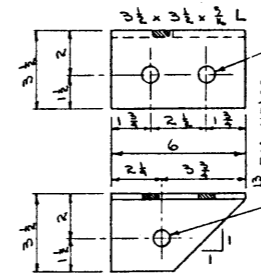
FRONT ELEVATION



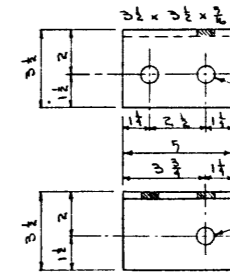
Mk 2



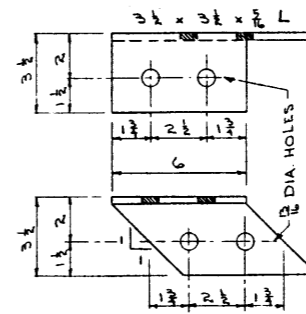
Mk 6



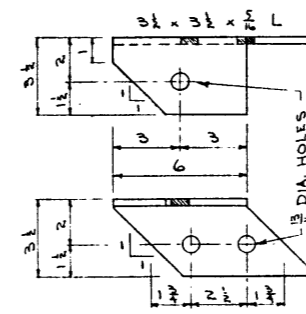
Mk 3



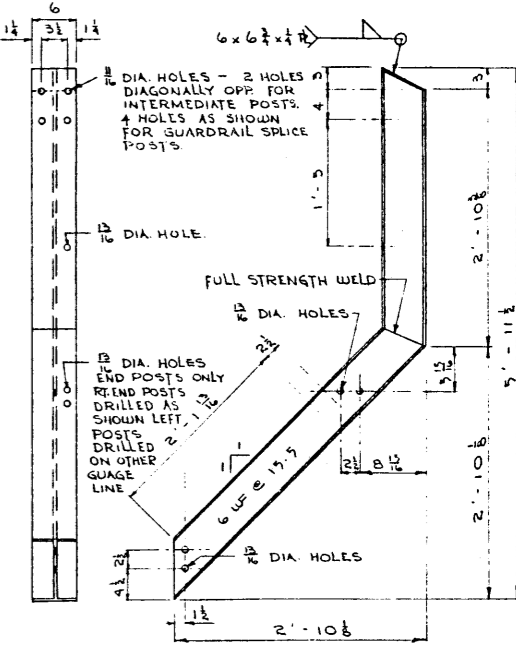
Mk 7



Mk 4



Mk 5



Mk 1

PARTS LIST

PART NO.	LOCATION		
	INTERIOR POST	RIGHT END POST	LEFT END POST
MK 1	1 REQ'D AS SHOWN	1 REQ'D AS SHOWN	1 REQ'D AS SHOWN
MK 2	1 REQ'D AS SHOWN 1 REQ'D OPP HAND	1 REQ'D OPP HAND	1 REQ'D AS SHOWN
MK 3	1 REQ'D AS SHOWN 1 REQ'D OPP HAND	1 REQ'D AS SHOWN 1 REQ'D OPP HAND	1 REQ'D AS SHOWN 1 REQ'D OPP HAND
MK 4	1 REQ'D AS SHOWN 1 REQ'D OPP HAND	1 REQ'D AS SHOWN 1 REQ'D OPP HAND	1 REQ'D AS SHOWN 1 REQ'D OPP HAND
MK 5	1 REQ'D AS SHOWN 1 REQ'D OPP HAND	1 REQ'D OPP HAND	1 REQ'D AS SHOWN
MK 6		1 REQ'D AS SHOWN	1 REQ'D OPP HAND
MK 7		1 REQ'D AS SHOWN	1 REQ'D OPP HAND

GENERAL NOTES:
 • ALL PARTS TO BE GIVEN ONE SHOP COAT OF RED LEAD.
 • ALL RIVETTING TO BE DONE IN THE SHOP AND ALL BOLTING IN THE FIELD.

NO.	DATE	DESCRIPTION	BY

STANDARD 60' GIRDER SPAN
 TIMBER DECK - 20' ROADWAY
 GUARDRAIL POST DETAILS



GOVERNMENT OF THE PROVINCE OF ALBERTA
 DEPARTMENT OF HIGHWAYS
 BRIDGE BRANCH, EDMONTON

FILE NO. _____ HWY. NO. _____ DWG. NO. _____
 LOCATION _____ SCALE 3/8" = 1'-0" _____
 SHEET _____ OF _____ 5-628